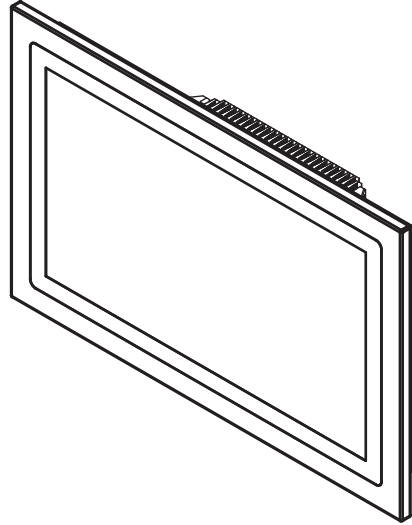


SP-S216

Quick Reference Guide



Ver. Q1

All Rights Reserved. Copyright 2019

Specification

System

CPU Type	Intel® Core™ i7-7700T, Quad Core, 2.9GHz, 8M cache Intel® Core™ i5-7500T, Quad Core, 2.7GHz, 6M cache Intel® Core™ i3-7101TE, Dual Core, 3.4GHz, 3M cache Intel® Core™ i7-6700TE, Quad Core, 2.4GHz, 8M cache Intel® Core™ i5-6500TE, Quad Core, 2.3GHz, 6M cache Intel® Core™ i3-6100TE, Dual Core, 2.7GHz, 4M cache Intel® Pentium® G4400TE, Dual Core, 2.4GHz, 3M cache Intel® Celeron® G3930TE, Dual Core, 2.7GHz, 2M cache Intel® Celeron® G3900TE, Dual Core, 2.3GHz, 2M cache
Memory Support	2 x DDR4 2133MHz SO-DIMM sockets (up to 32 GB)
Storage	2 x 2.5" SATAIII SSD (support RAID 0/1 in Q170 SKU only)
Front Bezel	Stainless steel (SUS 304)
IP65	Yes (for front panel only)
Power Input	DC In 9~36V
Operating System	Windows 10 IoT Enterprise 2019 LTSC 64bit / LTSB 2016 64bit Ubuntu16.04 LTS
System Weight	12.8kg
Dimensions (WxHxD)	585 x 377 x 131.7mm
Mounting Support	Wall Mount / VESA 100 / Panel Mount
Watchdog	1~255 seconds watchdog timer selectable
Certifications	FCC/CE

I/O Ports

Display	1 x DVI-I (DVI-D+VGA)
USB	4 x USB 3.0
Serial Ports	COM 3/4 for RS232 COM1/2 for RS-232/422/485 selectable under BIOS [COM 1/2 for +5V/+12V/RI selectable by jumper]
Antenna Holes	3 x antenna holes
Expansion Slots	1 x full-sized Mini PCIe (Mini PCIe, USB and SIM signals) 1 x half-sized Mini PCIe (Mini PCIe and USB signals) 1 x SIM card slot / 1 x CFAST slot
LAN	2 x GbE LAN, Wake-On-LAN, PXE, LAN 1: Intel® PHY 219LM (10/100/1000 Mbps) LAN 2: Intel® LAN 210AT (10/100/1000 Mbps) 2 x PoE (IEEE 802.3af), max. 15.4W for each port
Audio	1 x Line In / 1 x Line Out / 1 x Mic In
Power On/Off	1 x power button, 1 x remote switch
LED	2 x PoE active LED (optional)
I ² C	1 x I ² C Bus port (optional)

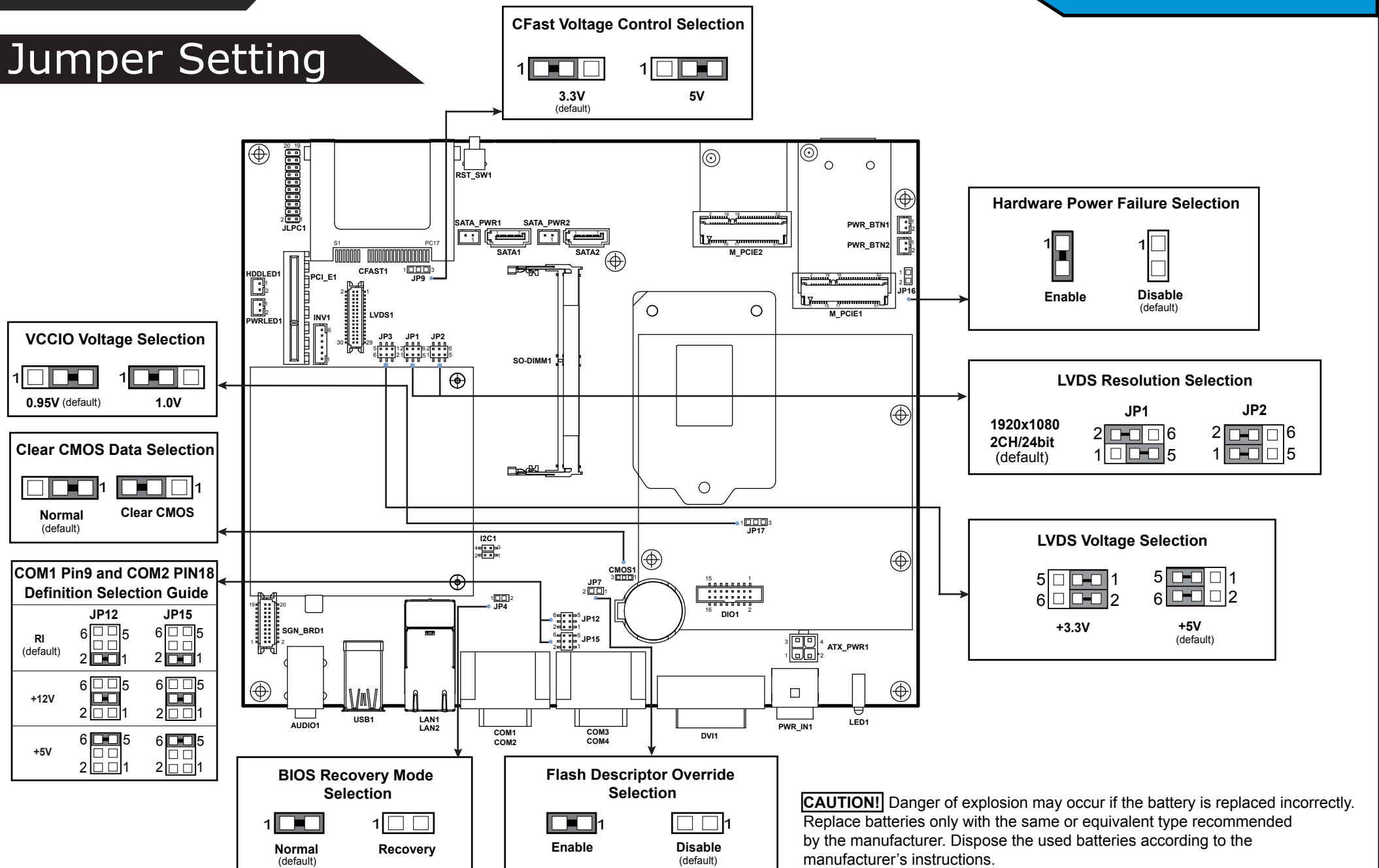
Display

LCD	21.5" True Flat TFT LCD(LED) resolution FHD (16:9) 1920x1080
Touchscreen	Projected capacitive touchscreen (USB interface)

Environment

Operating Temp.	HDD: 0°C ~ 45°C(32°F~113°F)
(Ambient with airflow)	SSD: 0°C ~ 40°C (32°F~104°F)
Storage Temp.	-20°C ~ 80°C (-4°F ~ 176°F)
Humidity	20% ~ 90%

Jumper Setting

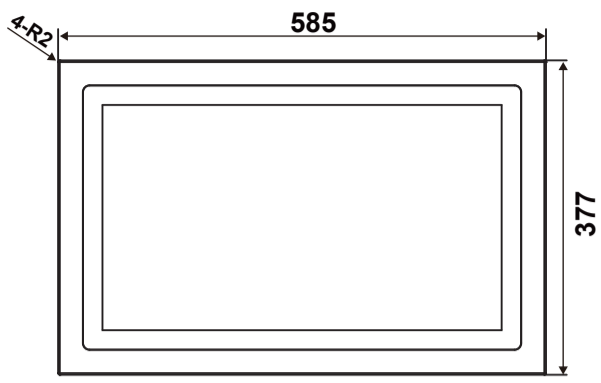


CAUTION! Danger of explosion may occur if the battery is replaced incorrectly. Replace batteries only with the same or equivalent type recommended by the manufacturer. Dispose the used batteries according to the manufacturer's instructions.

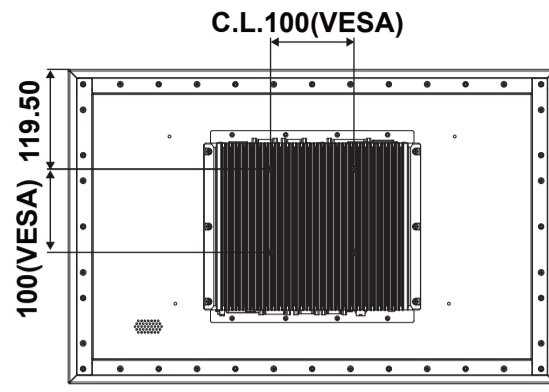
SP-S216 Overview

(Unit: mm)

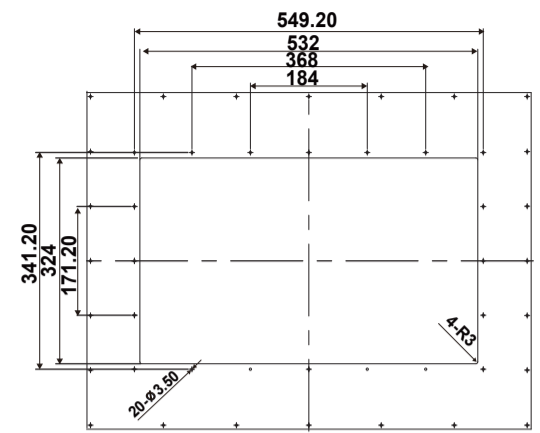
Front View



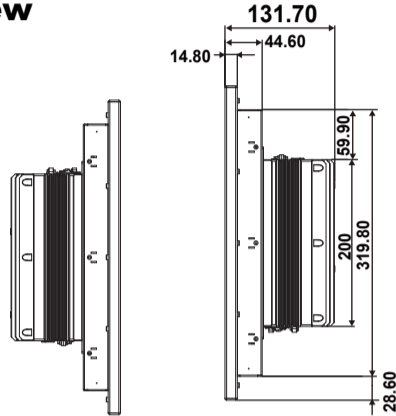
Rear View



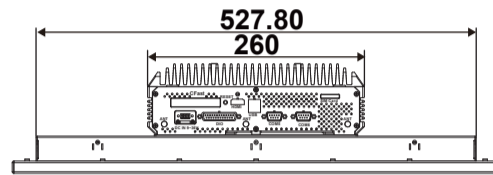
Wall Mount Cut-Out Dimensions



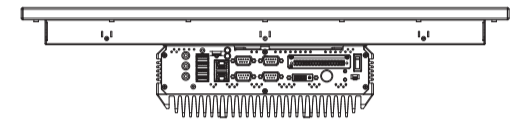
Side View



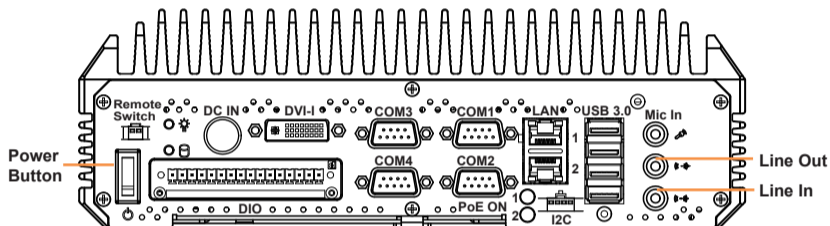
Top View



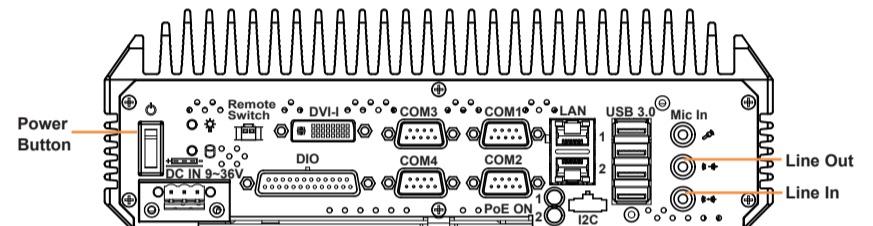
Bottom View



Bottom I/O View



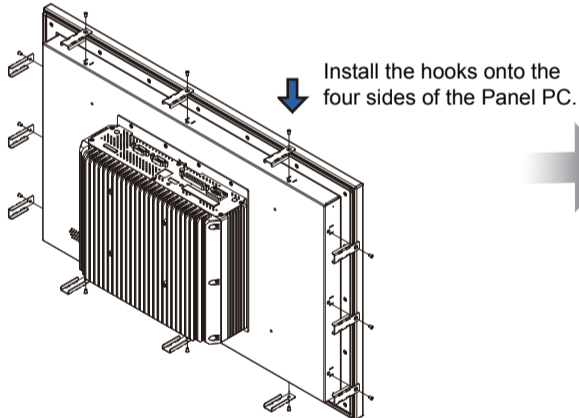
Bottom I/O View



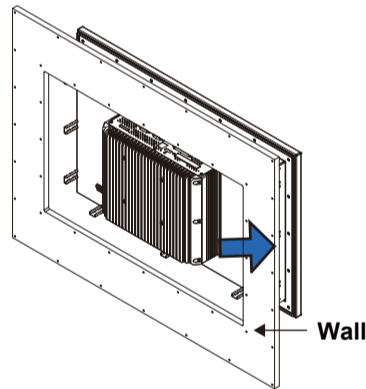
Quick Setup

Installing Hooks

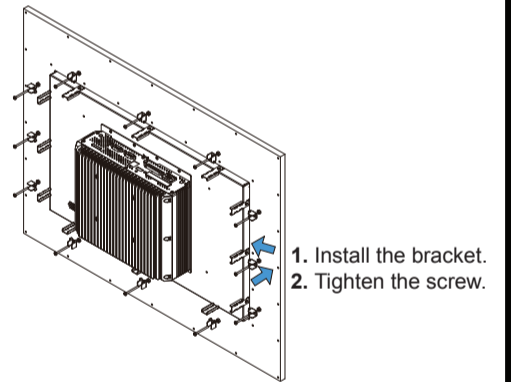
Step 1. Install the 12 hooks into the mounting holes on the four sides of the system using 12 x screws (M3x5mm).



Step 2. Mount the system equipped with 12 hooks onto the wall firmly.

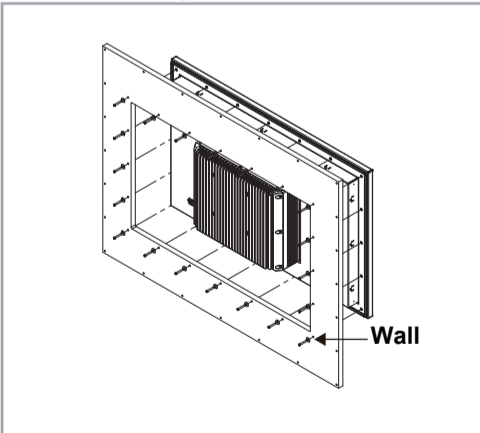


Step 3. Install 12 mounting brackets onto the hooks on the four sides of Panel PC and fasten the mating screws to secure firmly.

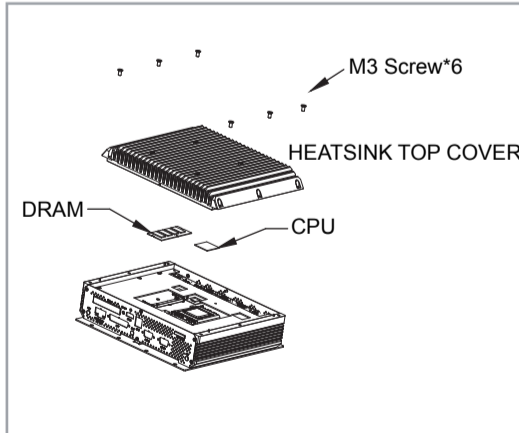


Installing Panel Mount

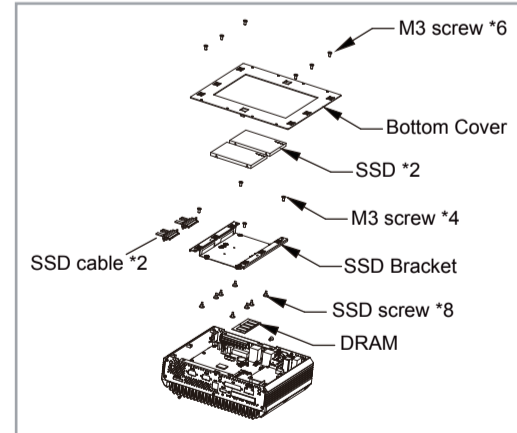
Tighten the screws into the 20 mounting holes of the wall fixture as shown, and then secure the panel PC onto the wall firmly.



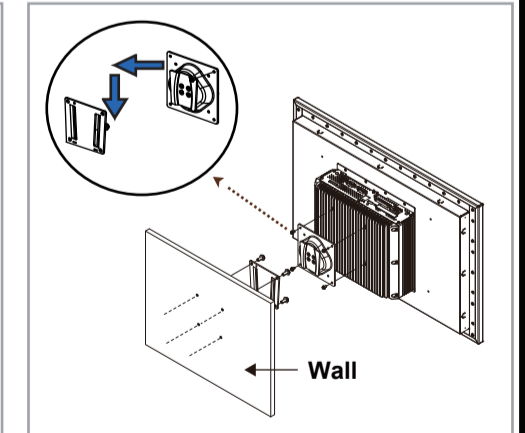
Installing 1st Memory and CPU



Installing 2nd Memory and SSD



Installing VESA Mount



Safety Precaution

The following messages are reminders for safety on how to protect your system from damages and extend the life cycle.

1. Check the Cable Voltage

- The range of operating voltage should be DC 9~36V. Otherwise, the LCD monitor could be damaged.

2. Environmental Conditions

- Place your SP-S216 on a sturdy, level surface. Be sure to allow enough space to have easy access around the device.
- Avoid extremely hot or cold place to install SP-S216.
- Avoid exposure to sunlight for a long period of time or in an airtight space.
- Avoid the device from any heating device or using SP-S216 when it's been left outdoors in a cold winter day.
- Avoid moving SP-S216 rapidly from a hot place to a cold place and vice versa because condensation may come from inside of the device.
- Don't place SP-S216 close to any radio-active device in case of signal interference.

3. Handling

- Avoid putting heavy objects on top of the device.
- If water or other liquid spills into this product, unplug the power cord immediately.

4. Good Care

- When the outside of the case is stained, remove the stain with a neutral washing agent with a dry cloth.
- Never use strong agents such as benzene and thinner to clean the device.
- If heavy stains are present, moisten a cloth with diluted neutral washing agent or with alcohol and then wipe thoroughly with a dry cloth.
- If dust has been accumulated on the outside, remove it by using a special made vacuum cleaner for computers.

CAUTION! Danger of explosion if battery is incorrectly replaced. Replace only with the same or equivalent type recommended by the manufacturer. Dispose of used batteries according to the manufacturer's instructions.

WARNING! Some internal parts of the system may have high electrical voltage. And therefore we strongly recommend that qualified engineers can open and disassemble the device. Please handle LCD and Touchscreen with extra care as they are easily breakable.