

USER MANUAL

SP-C085 / SP-C105 /

SP-C155 / SP-C175

8.4" / 10.4" / 15" / 17"

**VESA Mount / Wall Mount Standalone
LCD Touch Monitor**

SP-C085/SP-C105/SP-C155/SP-C175 M1

SP-C085 / SP-C105 / SP-C155 / SP-C175

8.4" / 10.4" / 15" / 17"

VESA Mount / Wall Mount

Standalone LCD Touch Monitor

COPYRIGHT NOTICE & TRADEMARK

All trademarks and registered trademarks mentioned herein are the property of their respective owners.

This manual is copyrighted in Apr. 2019. You may not reproduce or transmit in any form or by any means, electronic, or mechanical, including photocopying and recording.

DISCLAIMER

This user's manual is meant to assist users in installing and setting up the standalone LCD touch monitor. The information contained in this document is subject to change without any notice.


CE NOTICE


This is a class A product. In a domestic environment this product may cause radio interference in which case the user may be required to take adequate measures.

FCC NOTICE

This equipment has been tested and found to comply with the limits for a Class A digital device, pursuant to part 15 of the FCC Rules. These limits are designed to provide reasonable protection against harmful interference when the equipment is operated in a commercial environment. This equipment generates, uses, and can radiate radio frequency energy and, if not installed and used in accordance with the instruction manual, may cause harmful interference to radio communications. Operation of this equipment in a residential area is likely to cause harmful interference in which case the user will be required to correct the interference at his own expense.

You are cautioned that any change or modifications to the equipment not expressly approve by the party responsible for compliance could void your authority to operate such equipment.

	<p>WARNING: Some internal parts of the LCD Monitor may have high electrical voltage. We strongly recommend that only qualified engineers are allowed to service and disassemble the LCD Monitor. If any damages should occur on the LCD monitor and are caused by unauthorized servicing, it will not be covered by the product warranty.</p>
--	--

	<p>WARNING: Some internal parts of the LCD monitor may have high electrical voltage. We strongly recommend that only qualified engineers are allowed to service and disassemble the LCD monitor. If any damages should occur on the LCD Monitor and are caused by unauthorized servicing, it will not be covered by the product warranty. Please operate the LCD and Touchscreen with extra care as they can break easily.</p>
---	---

Contents

Revision History	iv
1 Introduction	1-1
1.1 About This Manual	1-2
2 Getting Started	2-1
2.1 Package List.....	2-2
2.2 SP-C085 Overview.....	2-3
2.3 SP-C105 Overview.....	2-5
2.4 SP-C155 Overview.....	2-7
2.5 SP-C175 Overview.....	2-9
2.6 Technical Specifications	2-11
2.7 Safety Precautions	2-13
3 Hardware Configuration	3-1
3.1 External I/O Ports Diagram	3-2
3.1.1 Rear I/O Ports Diagram	3-2
3.2 JUMPER & CONNECTOR QUICK REFERENCE TABLE	3-3
3.3 COMPONENT LOCATIONS OF A/D BOARD.....	3-4
3.3.1 Top View of A/D Board	3-4
3.3.2 Bottom View of A/D Board	3-6
3.4 HOW TO SET JUMPERS	3-7
3.5 Setting A/D Board Connectors and Jumpers	3-9
3.5.1 Inverter Connector (J7).....	3-9
3.5.2 OSD Keypad Connector (J6).....	3-9

3.5.3	IR Connector (J11).....	3-10
3.5.4	Ext. Amp. Connector (J12).....	3-10
3.5.5	LCD Panel Connector for LVDS (J5)	3-10
3.5.6	Panel 3.3V / 5V / 12V Selection (JP1) (for SP-C085, SP-C105, SP-C155 Only).....	3-11
3.5.7	Panel 3.3V / 5V / 12V Selection (JP1) (for SP-C175 Only)	3-12
3.5.8	PWM / Analog Selection (JP2).....	3-13
3.6	TOUCH CONTROL BOARD SR-6145 CONNECTOR QUICK REFERENCE TABLE (For SP-C155, SP-C175 Only)	3-14
3.7	TOUCH CONTROL BOARD SR-6145 COMPONENT LOCATIONS (For SP-C155, SP-C175 Only)	3-14
3.7.1	Touch Control Board SR-6145 Top View	3-14
3.8	Setting Touch Control Board SR-6145 Connectors and Jumpers (For SP-C155, SP-C175 Only).....	3-15
3.8.1	Control Signal Connector.....	3-15
3.8.2	LVDS Panel Signal Connector (Connected To Motherboard)..	3-16
3.8.3	LVDS Panel Signal Connector (Connected To LCD Panel).....	3-17
3.8.4	15" Panel LED Backlight Control Connector	3-18
3.8.5	Touch Panel Connector	3-18
3.8.6	LED1 Connector	3-19
3.8.7	Touch Panel Up Signal Setting	3-20
3.8.8	Touch Panel Low Signal Setting	3-21
3.9	OSD Key Pad Functions	3-22

Appendix A Exploded Diagrams.....A-1

SP-C085 Resistive LCD Monitor Exploded Diagram	A-2
SP-C085 P-CAP LCD Monitor Exploded Diagram	A-3
SP-C105 Resistive LCD Monitor Exploded Diagram	A-4
SP-C105 P-CAP LCD Monitor Exploded Diagram	A-5
SP-C155 Resistive LCD Monitor Exploded Diagram	A-6
SP-C155 P-CAP LCD Monitor Exploded Diagram	A-8
SP-C175 Resistive LCD Monitor Exploded Diagram	A-10
SP-C175 P-CAP LCD Monitor Exploded Diagram	A-12
SP-C085 Touch Panel Exploded Diagram	A-14
SP-C105 Touch Panel Exploded Diagram	A-15
SP-C085 / SP-C105 Panel Module Assembly Exploded Diagram	A-16
SP-C155 / SP-C175 Panel Module Assembly Exploded Diagram	A-17
A/D Box Assembly Exploded Diagram	A-18
SP-C085/SP-C105 Wall O-Ring Installation Exploded Diagram	A-19
SP-C155/SP-C175 Wall O-Ring Installation Exploded Diagram	A-20
SP-C085/SP-C105 Hook Installation Exploded Diagram (1)	A-21
SP-C085/SP-C105 Hook Installation Exploded Diagram (2)	A-22
SP-C085/SP-C105 Hook Installation Exploded Diagram (3)	A-23
SP-C155/SP-C175 Hook Installation Exploded Diagram (1)	A-24
SP-C155/SP-C175 Hook Installation Exploded Diagram (2)	A-25
SP-C155/SP-C175 Hook Installation Exploded Diagram (3)	A-26
SP-C085/SP-C105 VESA Mount Installation Exploded Diagram.....	A-27
SP-C155/SP-C175 VESA Mount Installation Exploded Diagram.....	A-28

Revision History

The revision history of SP-C085 / SP-C105 / SP-C155 / SP-C175 User Manual is described below:

Version No.	Revision History	Page No.	Date
M1	Initial Release	-	2019/04/15

1 Introduction

This chapter provides the introduction for SP-C085 / SP-C105 / SP-C155 / SP-C175 standalone LCD touch monitor as well as the framework of the user manual.

The following topic is included:

- About This Manual

1.1 About This Manual

Thank you for purchasing our SP-C085 / SP-C105 / SP-C155 / SP-C175 standalone LCD touch monitor. This manual is designed to assist you how to install and set up the whole LCD touch monitor. It contains 3 chapters and 1 appendix. Users can configure the device according to their own needs. This user manual is intended for service personnel with strong hardware background. It is not intended for general users.

The following section describes the structure of this user manual.

Chapter 1 Introduction

This chapter introduces the framework of this user manual.

Chapter 2 Getting Started

This chapter describes the package contents and specifications, and illustrates the physical appearances for SP-C085 / SP-C105 / SP-C155 / SP-C175. Read the safety reminders carefully on how to take care of the LCD monitor properly.

Chapter 3 Hardware Configuration

This chapter describes the locations and functions of the A/D board components. You will learn how to properly configure the connectors and jumpers on the A/D board, and configure the LCD monitor to meet your own needs.

Appendix A Exploded Diagrams

This appendix provides the exploded diagrams and part numbers of SP-C085 / SP-C105 / SP-C155 / SP-C175.

2 Getting Started

This chapter provides the information for SP-C085 / SP-C105 / SP-C155 / SP-C175 standalone LCD touch monitor. It describes the outlook of the LCD monitor and outlines the technical specifications.

The following topics are included:

- Package List
- SP-C085 Overview
- SP-C105 Overview
- SP-C155 Overview
- SP-C175 Overview
- Technical Specifications
- Safety Precautions

Experienced users can go to Chapter 3 Hardware Configuration on page 3-1 for a quick start.

2.1 Package List

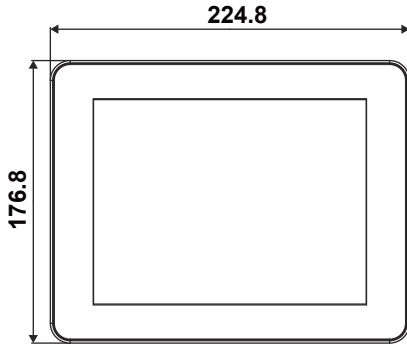
If you discover any of the items listed below are damaged or lost, please contact your local distributor immediately.

Item	Q'ty
SP-C085 / SP-C105 / SP-C155 / SP-C175	1
Manual / Driver DVD	1
Quick Guide	1

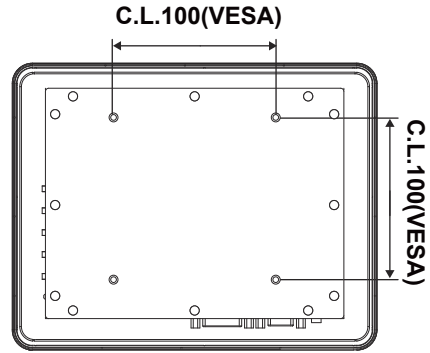
2.2 SP-C085 Overview

Unit: mm

Front View



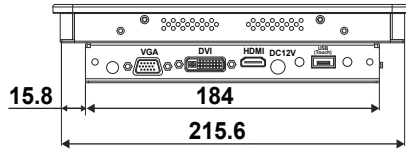
Rear View



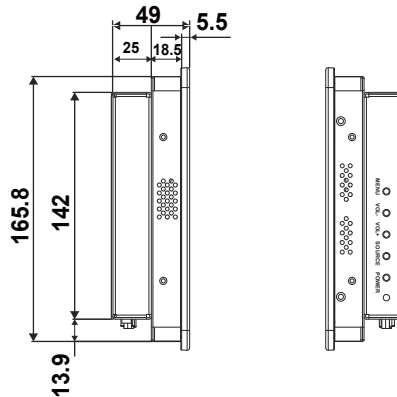
Top View



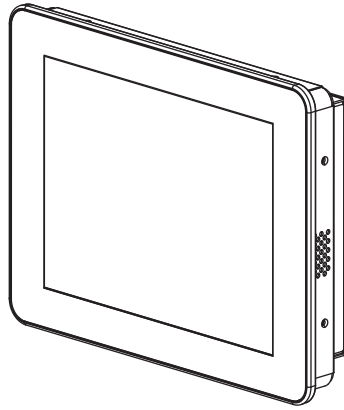
Bottom View



Side View



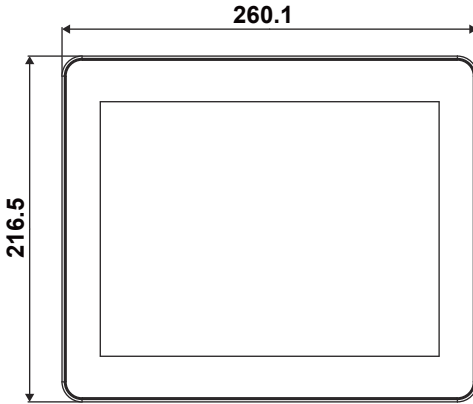
Quarter View



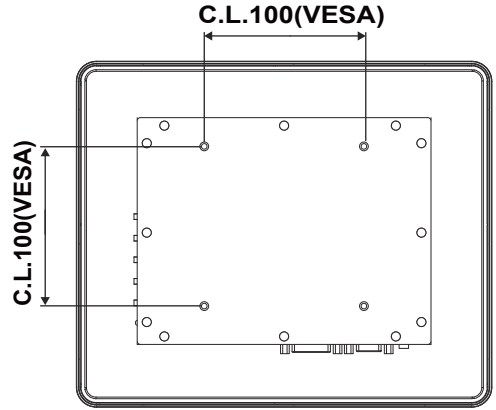
2.3 SP-C105 Overview

Unit: mm

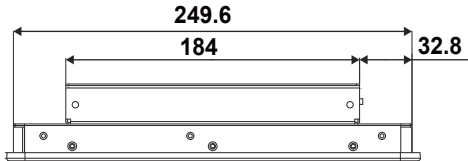
Front View



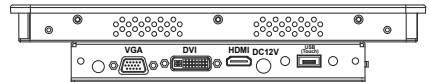
Rear View



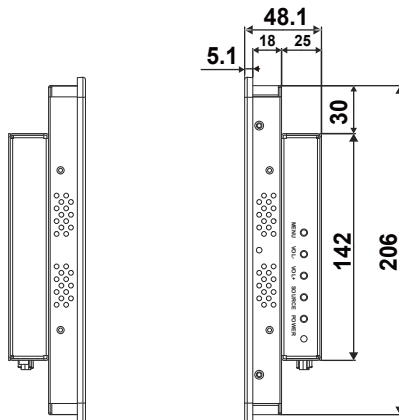
Top View



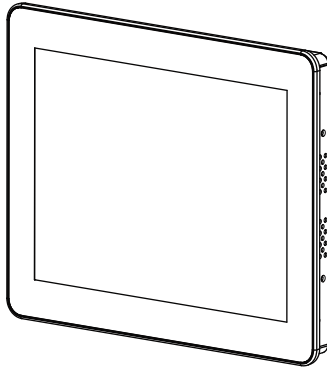
Bottom View



Side View



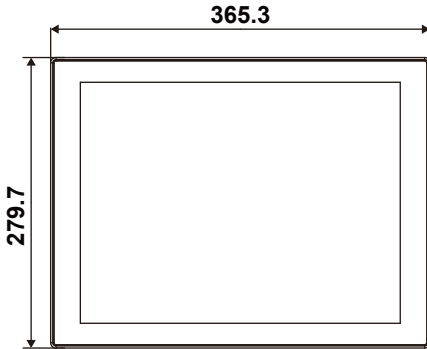
Quarter View



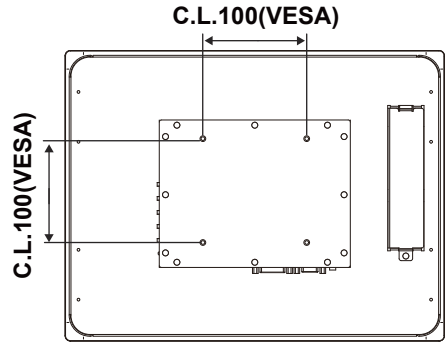
2.4 SP-C155 Overview

Unit: mm

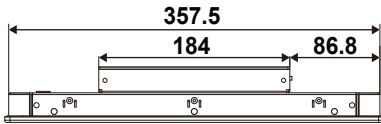
Front View



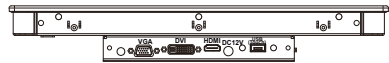
Rear View



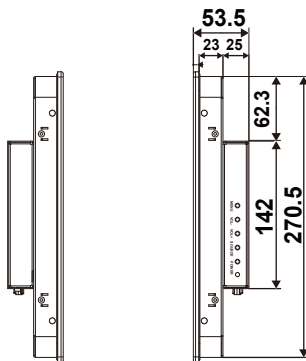
Top View



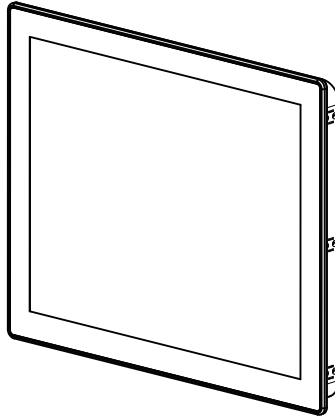
Bottom View



Side View



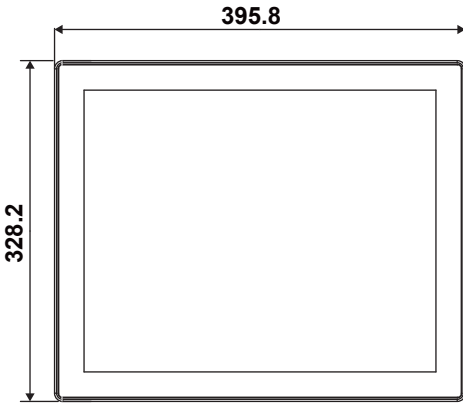
Quarter View



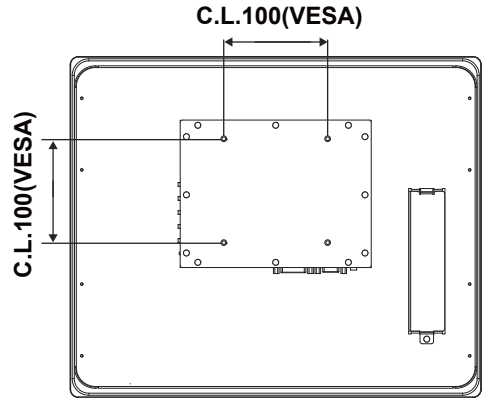
2.5 SP-C175 Overview

Unit: mm

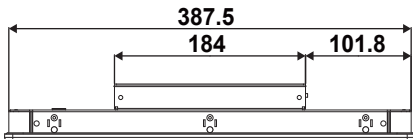
Front View



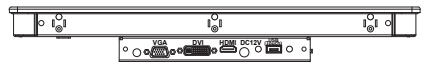
Rear View



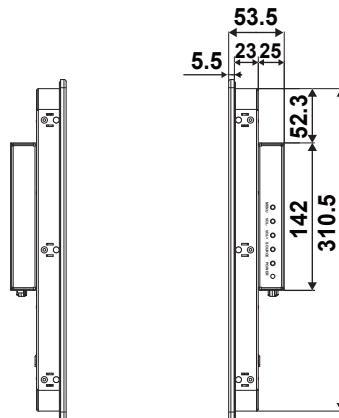
Top View



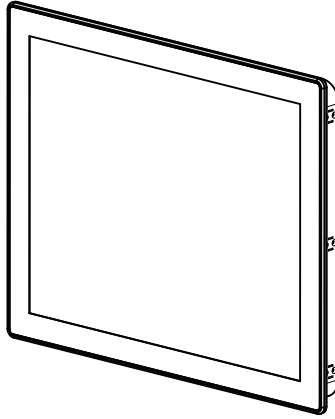
Bottom View



Side View



Quarter View



2.6 Technical Specifications

LCD	
Customer (2nd Display)	<ul style="list-style-type: none"> ➤ SP-C085: 8.4" SVGA LCD ➤ SP-C105: 10.4" SVGA LCD ➤ SP-C155: 15" XGA LCD ➤ SP-C175: 17" SXGA LCD
Display Resolution	<ul style="list-style-type: none"> ➤ SP-C085: LVDS 800 x 600 dots SVGA ➤ SP-C105: LVDS 1024 x 768 dots SVGA ➤ SP-C155: LVDS 1024 x 768 dots XGA ➤ SP-C175: LVDS 1280 x 1024 dots SXGA
Brightness	<ul style="list-style-type: none"> ➤ SP-C085: Typ. 600 cd/m² ➤ SP-C105: Typ. 450 cd/m² ➤ SP-C155: Typ. 450 cd/m² ➤ SP-C175: Typ. 350 cd/m²
Life time of Backlight lamp	<ul style="list-style-type: none"> ➤ SP-C085: Min. 30,000 hours ➤ SP-C105: Min. 50,000 hours ➤ SP-C155: Min. 50,000 hours ➤ SP-C175: Min. 50,000 hours
Touch Panel	➤ P-CAP or Resistive Touch (USB Interface) or N/A
Dimensions (Panel)	<ul style="list-style-type: none"> ➤ SP-C085: 225 (W) x 177 (H) x 49mm (D) ➤ SP-C105: 260 (W) x 217 (H) x 48mm (D) ➤ SP-C155: 365 (W) x 280 (H) x 54mm (D) ➤ SP-C175: 396 (W) x 328 (H) x 54mm (D)
Weight	<ul style="list-style-type: none"> ➤ SP-C085: 1.4kg ➤ SP-C105: 1.8kg ➤ SP-C155: 3.5kg ➤ SP-C175: 4.4kg
Viewing Angle	➤ Horizontal: -80° ~ 80°, Vertical: -80° ~ 70°
Wall Mount	➤ VESA Mount 100 x 100 mm
Power Supply	➤ DC 12V / 3.3A / 40W Power Adapter (AC Input: 90 ~264 Vac, 47/63Hz)
I/O Ports	
VGA	➤ 1 x VGA port
DVI-I	➤ 1 x DVI-I port (support DVI-D signals only)
HDMI	➤ 1 x HDMI port
USB	➤ 1 x USB port (touch connection)

Environment

EMC & Safety	➤ CE
Operating Temperature	➤ -20°C ~ 60°C (-4°F ~ 140°F)
Storage Temperature	➤ -30°C ~ 70°C (-22°F ~ 158°F)
Humidity	➤ 5% ~ 95%

2.7 Safety Precautions

Before operating the LCD monitor you purchased, read the following information carefully to protect your LCD touch monitor from damages, and extend the life cycle of the LCD monitor.

1. Check the Line Voltage
 - The operating voltage for the power supply should be DC 12V; otherwise, the LCD touch monitor may be damaged.
2. Environmental Conditions
 - Place your LCD Monitor on a sturdy, level surface. Be sure to allow enough space around the LCD Monitor to have easy access needs.
 - Avoid installing your LCD Monitor in extremely hot or cold places.
 - Avoid direct sunlight exposure for a long period of time (for example, in a closed car in summer time. Also avoid the LCD monitor from any heating device.). Or do not use LCD Monitor when it has been left outdoors in a cold winter day.
 - Avoid moving LCD Monitor rapidly from a hot place to a cold place, and vice versa, because condensation may occur inside the LCD monitor.
 - Do not place LCD Monitor too close to any radio-active device. Radio-active device may cause signal interference.
3. Handling
 - Avoid placing heavy objects on the top of the LCD monitor.
 - Do not allow any objects to fall into this device.
 - If water or other liquid spills into the device, unplug the power cord immediately.
4. Good Care
 - When the outside case gets stained, remove the stains using neutral washing agent with a dry cloth.
 - Never use strong agents such as benzene and thinner to clean the surface of the case.
 - If heavy stains are present, moisten a cloth with diluted neutral washing agent or alcohol and then wipe thoroughly with a dry cloth.
 - If dust is accumulated on the case surface, remove it by using a special vacuum cleaner for computers.

3 Hardware Configuration

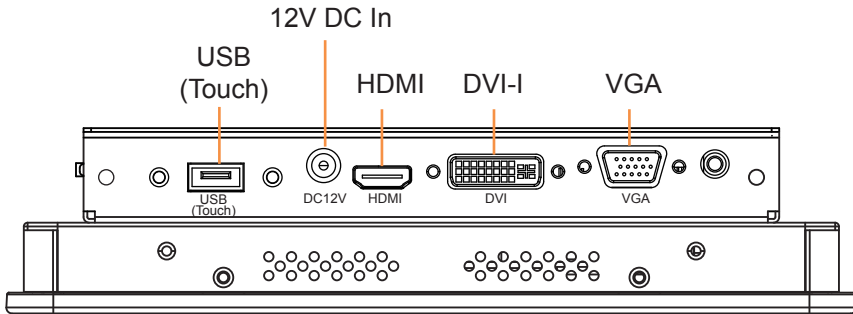
This chapter contains helpful information about the jumper & connector settings, component locations for the A/D board and OSD (On-Screen Display) Key Pad Functions information.

The following topics are included:

- Connector & Jumper Quick Reference Table
- A/D Board Component Locations
- How to Set Jumpers
- Setting A/D Board Connectors and Jumpers
- Setting Touch Control Board Connectors and Jumpers (for SP-C155, SP-C175 only)
- OSD Key Pad Functions

3.1 External I/O Ports Diagram

3.1.1 Rear I/O Ports Diagram



3.2 JUMPER & CONNECTOR QUICK REFERENCE TABLE

JUMPER Description	NAME
3.3V/5V/ 12V Selection	JP1
PWM / Analog Selection	JP2

CONNECTOR Description	NAME
VGA Connector	CN1
HDMI Connector	CN2
DVI Connector	CN4
Power Connector	CN5
LCD Panel Connector for LVDS	J5
OSD Keypad Connector	J6
Inverter connector	J7
UART Connector	J9
IR Connector	J11
Ext. Amp. Connector	J12

3.3 COMPONENT LOCATIONS OF A/D BOARD

3.3.1 Top View of A/D Board

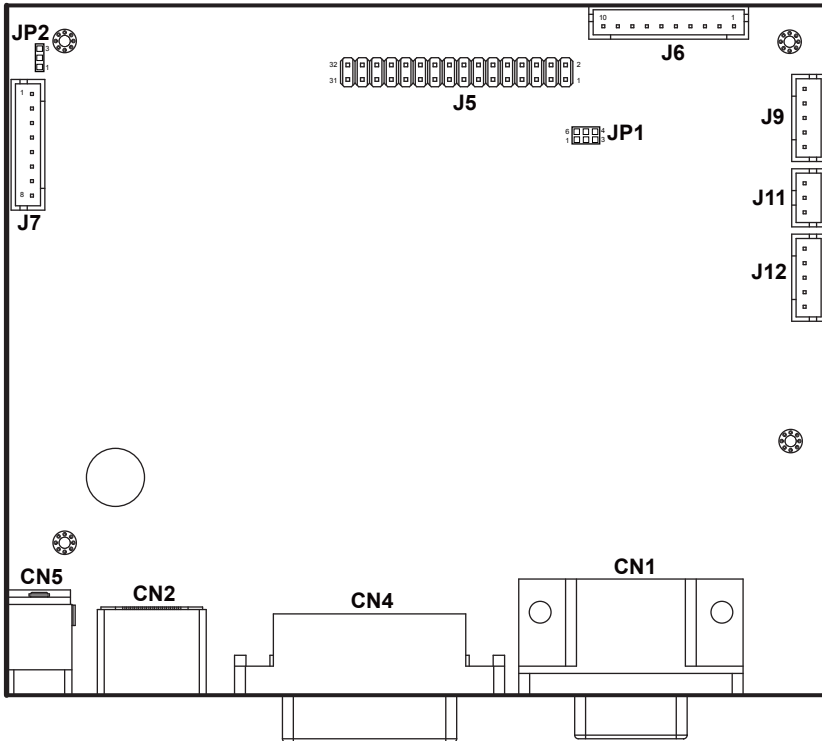





Figure 3-1. A/D Board Component Location (Top View)

	<p>WARNING: Always disconnect the power cord when you are working with connectors and jumpers on the A/D board. Make sure both A/D Board and peripheral devices are turned OFF as sudden surge of power could damage sensitive components. Make sure A/D Board is properly grounded.</p>
	<p>CAUTION: Observe precautions while handling electrostatic sensitive components. Make sure to ground yourself to prevent static charge while you are working on the connectors and jumpers. Use a grounding wrist strap and place all electronic components in any static-shielded devices.</p>
	<p>CAUTION: Always touch the A/D board components by the edges. Never touch components by its pins. Take special cares while you are holding electronic circuit boards by the edges only. Do not touch the A/D board components.</p>

3.3.2 Bottom View of A/D Board

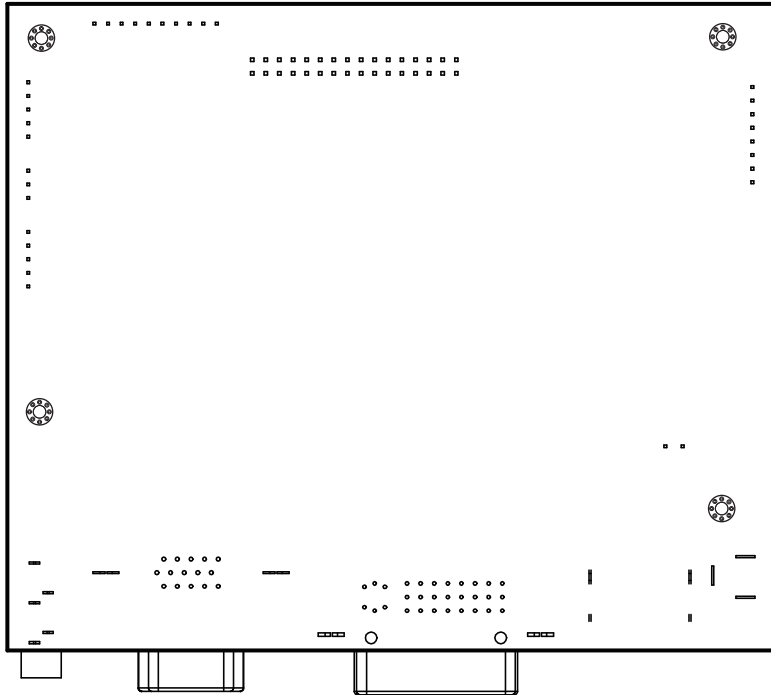


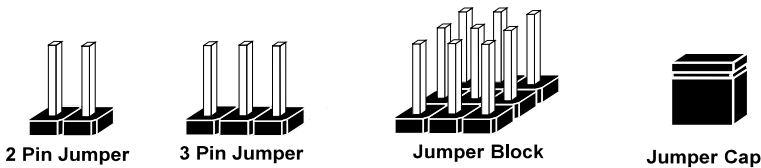
Figure 3-2. A/D Board Component Location (Rear View)

3.4 HOW TO SET JUMPERS

You can configure your board by setting the jumpers. A jumper consists of two or three metal pins with a plastic base mounted on the card. By using a small plastic "cap", also known as the jumper cap (with a metal contact inside), you are able to connect the pins. So you can configure your hardware settings by "opening" or "closing" jumpers.

Jumpers can be combined into sets that are called jumper blocks. When jumpers are all in the block, you have to put them together to set up the hardware configuration. The figure below shows what this looks like.

Jumpers & Caps

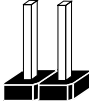


If a jumper has three pins, for example, labeled 1, 2 and 3. You can connect pins 1 and 2 to create one setting and shorting. You can also select to connect pins 2 and 3 to create another setting. The format of the jumper picture will be illustrated throughout this manual. The figure below shows different types of jumpers and jumper settings.

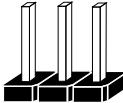
Jumper diagrams



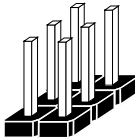
Jumper Cap looks like this



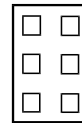
2 pin Jumper looks like this



3 pin Jumper looks like this



Jumper Block looks like this



Jumper settings

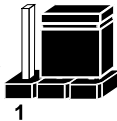


2 pin Jumper closed(enabled)
looks like this



1

1

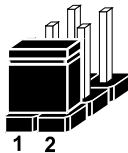


3 pin Jumper
2-3 pin closed(enabled)
looks like this

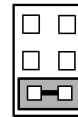


1

1



Jumper Block
1-2 pin closed(enabled)
looks like this



1 2

1 2

3.5 Setting A/D Board Connectors and Jumpers

3.5.1 Inverter Connector (J7)

Connector Location: J7

Description: Inverter Connector (PH 2.0mm 8 Pins DIP)

PIN	ASSIGNMENT	Note
1, 2	12V Input	
4, 6	GND	
3	Brightness control	0V – 5V Analog or PWM
5	ON/OFF Control	5V ON; 0V OFF
7, 8	5V Input / Output	



J7

Note 1: 2.0mm 5 pin connector (Pins 1~5) is used for standard 12V input and stand alone Inverter.

Note 2: 2.0mm 3 pin connector (Pins 6~8) is used for 2-in-1 power supply with 5V input.

3.5.2 OSD Keypad Connector (J6)

Connector Location: J6

Description: OSD Keypad Connector (PH 2.0mm 10 Pins DIP)

PIN	ASSIGNMENT
1	SEL+(RIGHT)
2	SEL-(LEFT)
3	AUTO
4	MENU
5	POWER
6	LED-G
7	LED-R
8	GND
9	N.C.
10	N.C.



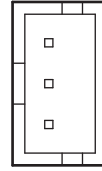
J6

3.5.3 IR Connector (J11)

Connector Location: J11

Description: IR Connector (PH 2.0 mm 3 Pins DIP)

PIN	ASSIGNMENT
1	V5A
2	IR
3	GND



J11

3.5.4 Ext. Amp. Connector (J12)

Connector Location: J12

Description: Ext. Amp. Connector (PH 2.0 mm 5 Pins DIP)

PIN	ASSIGNMENT
1	L 10W
2	R 10W
3	Mute AMP
4	STB AMP
5	GND



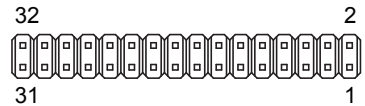
J12

3.5.5 LCD Panel Connector for LVDS (J5)

Connector Location: J5

Description: LCD Panel Connector for LVDS (PH 2.0 mm 32 Pins DIP)

PIN	ASSIGNMENT	PIN	ASSIGNMENT
1	VDD	2	VDD
3	VDD	4	VDD
5	GND	6	GND
7	RXEIN3-	8	RXEIN3+
9	RXEINC-	10	RXEINC+
11	RXEIN2-	12	RXEIN2+
13	RXEIN1-	14	RXEIN1+
15	RXEIN0	16	RXEIN0+
17	RXOIN3-	18	RXOIN3+
19	RXOINC-	20	RXOINC+
21	RXOIN2-	22	RXOIN2+
23	RXOIN1-	24	RXOIN1+
25	RXOIN0	26	RXOIN0+
27	NC	28	NC
29	NC	30	GND
31	GND	32	GND



J5

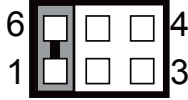
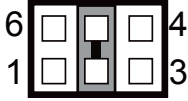
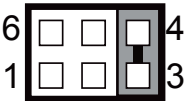
3.5.6 Panel 3.3V / 5V / 12V Selection (JP1) (for SP-C085, SP-C105, SP-C155 Only)

Jumper Location: JP1

Description: Panel 3.3V / 5V / 12V Selection (PH 2.5mm 2*3 Pins DIP)

Please set the JP1 Jumper as Pins **1-6** connected for Panel 3.3V selection.

JP1 Jumper Setting is described below:

SELECTION	JUMPER SETTING	JUMPER SETTING ILLUSTRATION
3.3V	1-6 <i>(Default Setting)</i>	 <p style="text-align: center;">JP1</p>
5V	2-5	 <p style="text-align: center;">JP1</p>
12V	3-4	 <p style="text-align: center;">JP1</p>

3.5.7 Panel 3.3V / 5V / 12V Selection (JP1) (for SP-C175 Only)

Jumper Location: JP1

Description: Panel 3.3V / 5V / 12V Selection (PH 2.5mm 2*3 Pins DIP)

Please set the JP1 Jumper as Pins **2-5** connected for Panel 3.3V selection.

JP1 Jumper Setting is described below:

SELECTION	JUMPER SETTING	JUMPER SETTING ILLUSTRATION
3.3V	1-6	<p style="text-align: center;">JP1</p>
5V	2-5 <i>(Default Setting)</i>	<p style="text-align: center;">JP1</p>
12V	3-4	<p style="text-align: center;">JP1</p>



3.5.8 PWM / Analog Selection (JP2)

Jumper Location: JP2

Description: PWM / Analog Selection (PH 2.5mm 3 Pins DIP)

Please set the JP2 Jumper as Pins **1-2** connected for PWM selection.

JP2 Jumper Setting is described below:

SELECTION	JUMPER SETTING	JUMPER SETTING ILLUSTRATION
PWM	1-2 <i>(Default Setting)</i>	 <p>JP2</p>
Analog	2-3	 <p>JP2</p>

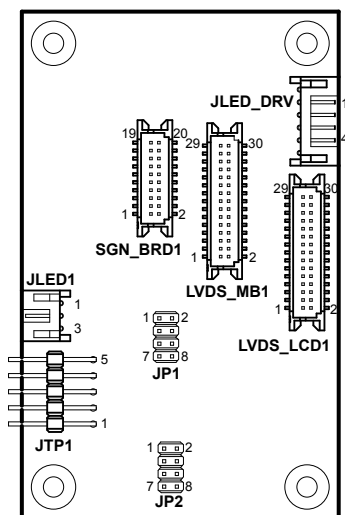
3.6 TOUCH CONTROL BOARD SR-6145 CONNECTOR QUICK REFERENCE TABLE (For SP-C155, SP-C175 Only)

JUMPER Description	NAME
Touch Panel Up Signal Setting	JP1
Touch Panel Low Signal Setting	JP2

CONNECTOR Description	NAME
Control Signal Connector	SGN_BRD1
LVDS Panel Signal Connector (Connected To Motherboard)	LVDS_MB1
LVDS Panel Signal Connector (Connected To LCD Panel)	LVDS_LCD1
15" Panel LED Backlight Control Connector	JLED_DRV
Touch Panel Connector	JTP1
LED1 Connector	JLED1

3.7 TOUCH CONTROL BOARD SR-6145 COMPONENT LOCATIONS (For SP-C155, SP-C175 Only)

3.7.1 Touch Control Board SR-6145 Top View



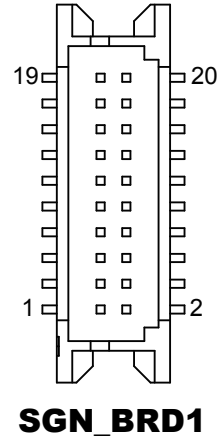
3.8 Setting Touch Control Board SR-6145 Connectors and Jumpers (For SP-C155, SP-C175 Only)

3.8.1 Control Signal Connector

Connector Location: SGN_BRD1

Description: Control Signal Connector

PIN	ASSIGNMENT	PIN	ASSIGNMENT
1	5VSB	2	5VSB
3	USB D+	4	+12V
5	USB D-	6	+12V
7	GND	8	+12V
9	Backlight Enable	10	+12V
11	NC	12	+12V
13	NC	14	HD_LED
15	GND	16	POWER_LED
17	GND	18	LCD_PWM
19	VCC	20	USB_OC

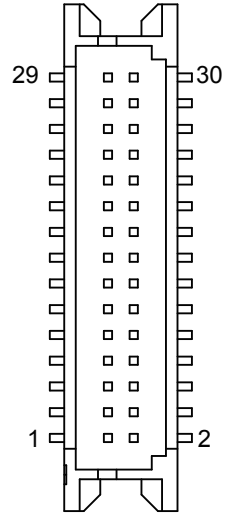


3.8.2 LVDS Panel Signal Connector (Connected To Motherboard)

Connector Location: LVDS_MB1

Description: LVDS Panel Signal Connector

PIN	ASSIGNMENT	PIN	ASSIGNMENT
1	LVDS_VCC	2	GND
3	LVDS1_CLK-(Even)	4	LVDS1_CLK+(Even)
5	GND	6	LVDS1_D2-(Even)
7	LVDS1_D2+(Even)	8	GND
9	LVDS1_D1-(Even)	10	LVDS1_D1+(Even)
11	LVDS1_D3+(Even)	12	LVDS1_D3-(Even)
13	LVDS1_D0+(Even)	14	LVDS1_D0-(Even)
15	GND	16	LVDS0_CLK+(Odd)
17	LVDS0_CLK-(Odd)	18	GND
19	LVDS0_D2+(Odd)	20	LVDS0_D2-(Odd)
21	GND	22	LVDS0_D1+(Odd)
23	LVDS0_D1-(Odd)	24	GND
25	LVDS0_D0+(Odd)	26	LVDS0_D0-(Odd)
27	LVDS0_D3+(Odd)	28	LVDS0_D3-(Odd)
29	LVDS_VCC	30	LVDS_VCC



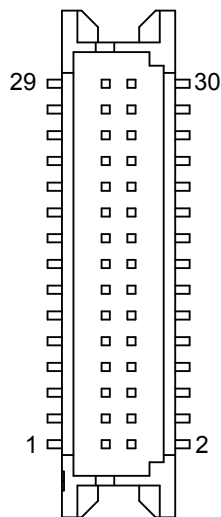
LVDS_MB1

3.8.3 LVDS Panel Signal Connector (Connected To LCD Panel)

Connector Location: LVDS_LCD1

Description: LVDS Panel Signal Connector

PIN	ASSIGNMENT	PIN	ASSIGNMENT
1	LVDS_VCC	2	GND
3	LVDS1_CLK-(Even)	4	LVDS1_CLK+(Even)
5	GND	6	LVDS1_D2-(Even)
7	LVDS1_D2+(Even)	8	GND
9	LVDS1_D1-(Even)	10	LVDS1_D1+(Even)
11	LVDS1_D3+(Even)	12	LVDS1_D3-(Even)
13	LVDS1_D0+(Even)	14	LVDS1_D0-(Even)
15	GND	16	LVDS0_CLK+(Odd)
17	LVDS0_CLK-(Odd)	18	GND
19	LVDS0_D2+(Odd)	20	LVDS0_D2-(Odd)
21	GND	22	LVDS0_D1+(Odd)
23	LVDS0_D1-(Odd)	24	GND
25	LVDS0_D0+(Odd)	26	LVDS0_D0-(Odd)
27	LVDS0_D3+(Odd)	28	LVDS0_D3-(Odd)
29	LVDS_VCC	30	LVDS_VCC



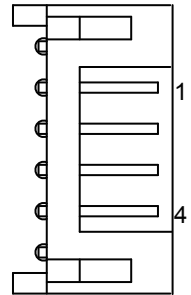
LVDS_LCD1

3.8.4 15" Panel LED Backlight Control Connector

Connector Location: JLED_DRV

Description: 15" Panel LED Backlight Control Connector

PIN	ASSIGNMENT
1	+12V
2	+12V
3	GND
4	LCD_PWM



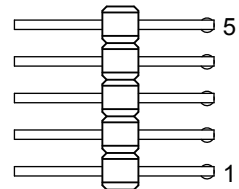
JLED_DRV

3.8.5 Touch Panel Connector

Connector Location: JTP1

Description: Touch Panel Connector

PIN	ASSIGNMENT
1	Low Right or Low Left
2	Low Left or Low Right
3	Sense signal
4	Up Right or Up Left
5	Up Left or Up Right



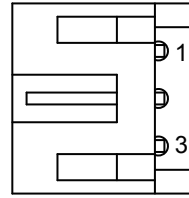
JTP1

3.8.6 LED1 Connector

Connector Location: JLED1

Description: LED1 Connector

PIN	ASSIGNMENT
1	VCC
2	POWER LED
3	HDD LED

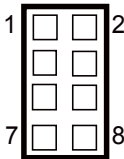
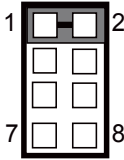
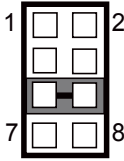
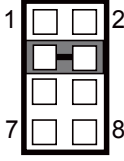
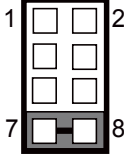


JLED1

3.8.7 Touch Panel Up Signal Setting

Jumper Location: JP1

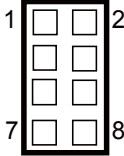
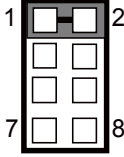
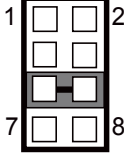
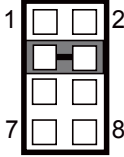
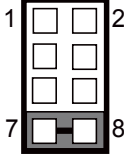
Description: Touch Panel Up Signal Setting

SELECTION	JUMPER SETTING	JUMPER ILLUSTRATION
Normal	Open <i>(Default Setting)</i>	 <p>JP1</p>
Connect Up Left Signal	1-2	 <p>JP1</p>
Connect Up Right Signal	5-6	 <p>JP1</p>
Connect Up Right Signal	3-4	 <p>JP1</p>
Connect Up Left Signal	7-8	 <p>JP1</p>

3.8.8 Touch Panel Low Signal Setting

Jumper Location: JP2

Description: Touch Panel Low Signal Setting

SELECTION	JUMPER SETTING	JUMPER ILLUSTRATION
Normal	Open <i>(Default Setting)</i>	 <p>JP2</p>
Connect Low Left Signal	1-2	 <p>JP2</p>
Connect Low Right Signal	5-6	 <p>JP2</p>
Connect Low Right Signal	3-4	 <p>JP2</p>
Connect Low Left Signal	7-8	 <p>JP2</p>

3.9 OSD Key Pad Functions

SP-C085 / SP-C105 / SP-C155 / SP-C175 IP65 LCD Monitor							Signal Source			
Button	Main Function	Selections	Sub selections	Adjusted Value	Default	Note	D-Sub	DVI	HDMI	
Power	Power On Power Off	On/Off					•	•	•	
Menu	Color	Contrast		0~100	50		•	•	•	
		Brightness		0~100	50		•	•	•	
		Color Adjust	Red		0~100	50		•	•	•
			Green		0~100	50		•	•	•
			Blue		0~100	50		•	•	•
		Color Temp	9300K					•	•	•
			6500K					•	•	•
			5800K					•	•	•
			USER	Red			50		•	•
		Green					50	•	•	•
		Blue					50	•	•	•
		Auto Color						•	•	•
		Image Settings	Clock			0~100	50		•	
	Phase				0~100	50		•	•	
	Sharpness				0			•	•	
						1		•	•	
						2	2	•	•	
						3		•	•	
						4		•	•	
	H.Position				0~100	0		•	•	
							50	•	•	
							100	•	•	
	V.Position				0~100	0		•	•	
							50	•	•	
							100	•	•	
	OSD Menu	OSD H.POS			0~100	[0,0]		•	•	•
		OSD V.POS			0~100	[0,50]		•	•	•
OSD H. and OSD V. combination						[0,100]		•	•	•
						[50,0]		•	•	•
						[50,50]		•	•	•
						[50,100]		•	•	•
						[100,0]		•	•	•
						[100,50]		•	•	•
						[100,100]		•	•	•
				0~100	0		•	•	•	
						4	•	•	•	

Chapter 3 Hardware Configuration

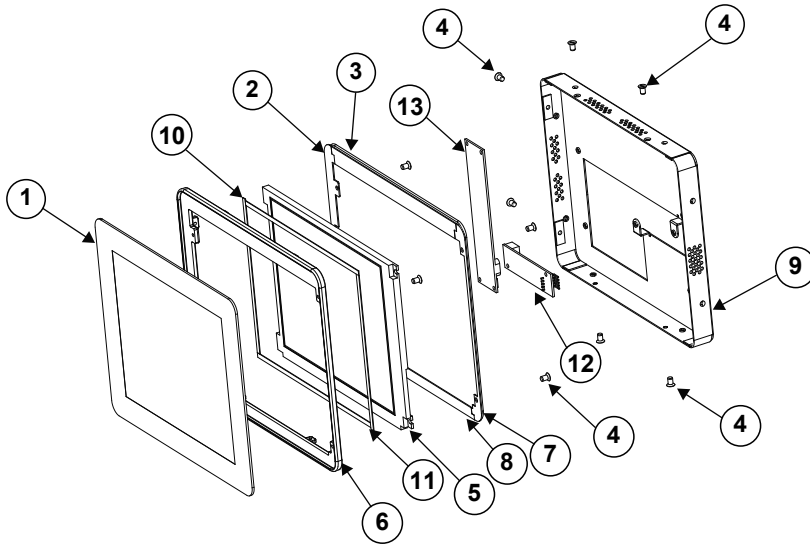
SP-C085 / SP-C105 / SP-C155 / SP-C175 IP65 LCD Monitor							Signal Source			
Button	Main Function	Selections	Sub selections	Adjusted Value	Default	Note	D-Sub	DVI	HDMI	
	OSD Timer				7		•	•	•	
					11		•	•	•	
						15		•	•	•
						19		•	•	•
						22		•	•	•
						26		•	•	•
						30		•	•	•
						33		•	•	•
						37		•	•	•
						41		•	•	•
						44		•	•	•
						48		•	•	•
						52		•	•	•
						56		•	•	•
						59		•	•	•
						63		•	•	•
						67		•	•	•
						70		•	•	•
						74		•	•	•
						78		•	•	•
						81		•	•	•
						85		•	•	•
						89		•	•	•
					93		•	•	•	
					96		•	•	•	
					100		•	•	•	
		Language	English					•	•	•
			French					•	•	•
			Deutsch					•	•	•
			Espanol					•	•	•
			Traditional Chinese					•	•	•
			Simplified Chinese					•	•	•
			Japanese					•	•	•
	Signal Source	D-Sub					•	X	X	
		DVI					X	•	X	
		HDMI					X	X	•	
		Auto Scan					•	•	•	
	Reset					•	•	•		

Appendix A Exploded Diagrams

This appendix includes the exploded diagrams of SP-C085/ SP-C105/ SP-C155/ SP-C175 and the parts list as well as the part numbers of SP-C085/ SP-C105/ SP-C155/ SP-C175.

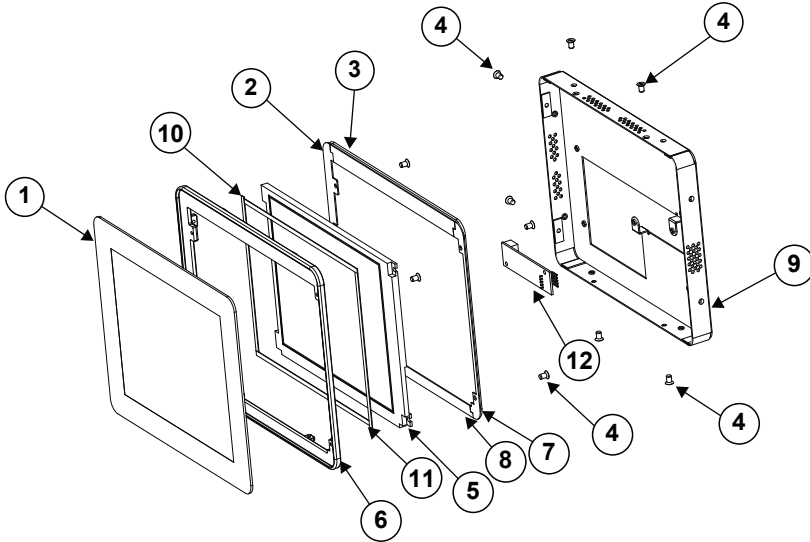
- SP-C085/SP-C105/SP-C155/SP-C175 Resistive and P-CAP LCD Monitor Exploded Diagrams
- SP-C085/SP-C105 Touch Panel Exploded Diagrams
- SP-C085/SP-C105/SP-C155/SP-C175 Panel Module Assembly Exploded Diagrams
- A/D Box Assembly Exploded Diagram
- SP-C085/SP-C105 Wall O-Ring Installation Exploded Diagram
- SP-C085/SP-C105 Hook Installation Exploded Diagrams
- SP-C085/SP-C105 VESA Mount Installation Exploded Diagram
- SP-C155/SP-C175 Wall O-Ring Installation Exploded Diagram
- SP-C155/SP-C175 Hook Installation Exploded Diagrams
- SP-C155/SP-C175 VESA Mount Installation Exploded Diagram

SP-C085 Resistive LCD Monitor Exploded Diagram



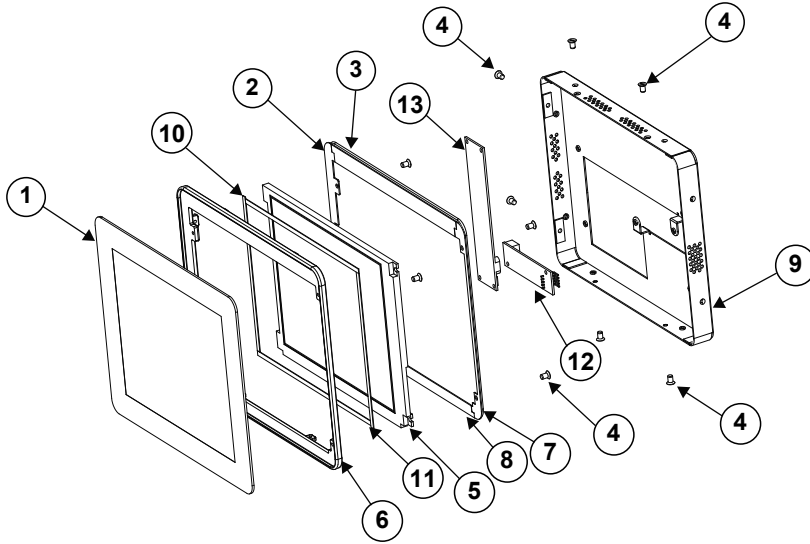
No.	Component Name	P/N No.	Q'ty
1	8.4" Zero Bezel 5-wire Resistive Touch Panel(-30~70°C)	52-380-06840128	1
2	SP-6558 GUM-L-SR (171.8x19.25x0.8mm)	34-026-05016448	1
3	SP-6558 GUM-T-SR (195.28x14.2x0.8mm)	34-026-05013448	1
4	Flat Head Screw #2 / M3x0.5Px5mm	22-215-30005011	10
5	8.4" TFT LCD Panel (LED Backlight), 600nits, SVGA (800x600)(-30~70°C)	52-351-00840230	1
6	SP-6558 Front Cover (w/Paint)(Black)	20-004-01062448	1
7	SP-6558 GUM-R-SR (171.79x15.85x0.8mm)	34-026-05011448	1
8	SP-6558 GUM-D-SR (195.28x9.34x0.8mm)	34-026-05009448	1
9	SP-C085 LCD Rear Cover	80-104-03001457	1
10	SP-6550 LCD Sponge (167x4x1mm)	30-013-11100448	2
11	SP-6550 LCD Sponge (220x4x1mm)	30-013-11200448	2
12	Resistive Touch Control Board	52-370-01405104	1

SP-C085 P-CAP LCD Monitor Exploded Diagram



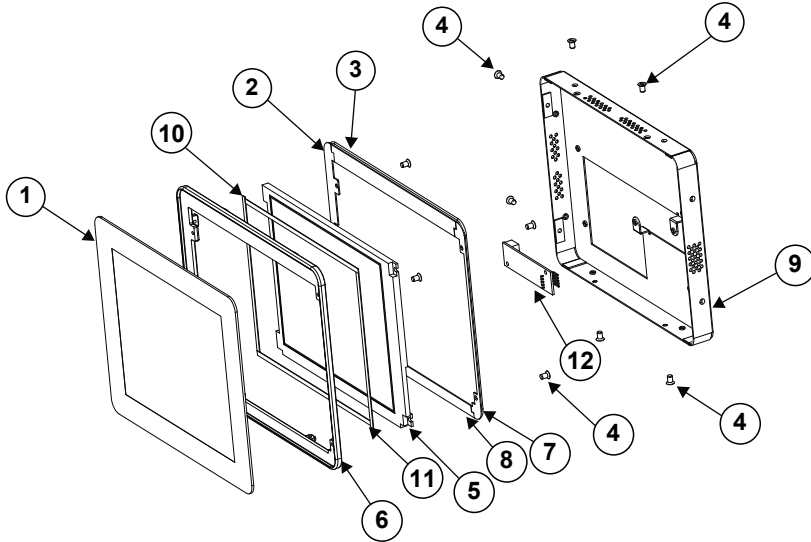
No.	Component Name	P/N No.	Q'ty
1	8.4" Zero Bezel P-CAP Touch Panel (COF) (-30~70°C)	52-380-06800028	1
2	SP-6558 GUM-L-SP (171.8x19.25x1.3mm)	34-026-05015448	1
3	SP-6558 GUM-T-SP (195.28x14.25x1.3mm)	34-026-05012448	1
4	Flat Head Screw #2 / M3x0.5Px5mm	22-215-30005011	10
5	8.4" TFT LCD Panel (LED Backlight), 600nits, SVGA (800x600)(-30~70°C)	52-351-00840230	1
6	SP-6558 Front Cover (w/Paint)(Black)	20-004-01062448	1
7	SP-6558 GUM-R-SP (171.79x15.85x1.3mm)	34-026-05010448	1
8	SP-6558 GUM-D-SP (195.28x9.34x1.3mm)	34-026-05014448	1
9	SP-C085 LCD Rear Cover	80-104-03001457	1
10	SP-6550 LCD Sponge (167x4x1mm)	30-013-11100448	2
11	SP-6550 LCD Sponge (220x4x1mm)	30-013-11200448	2
12	Touch Control Board for P-CAP, USB & RS232 Interface	52-370-02318007	1

SP-C105 Resistive LCD Monitor Exploded Diagram



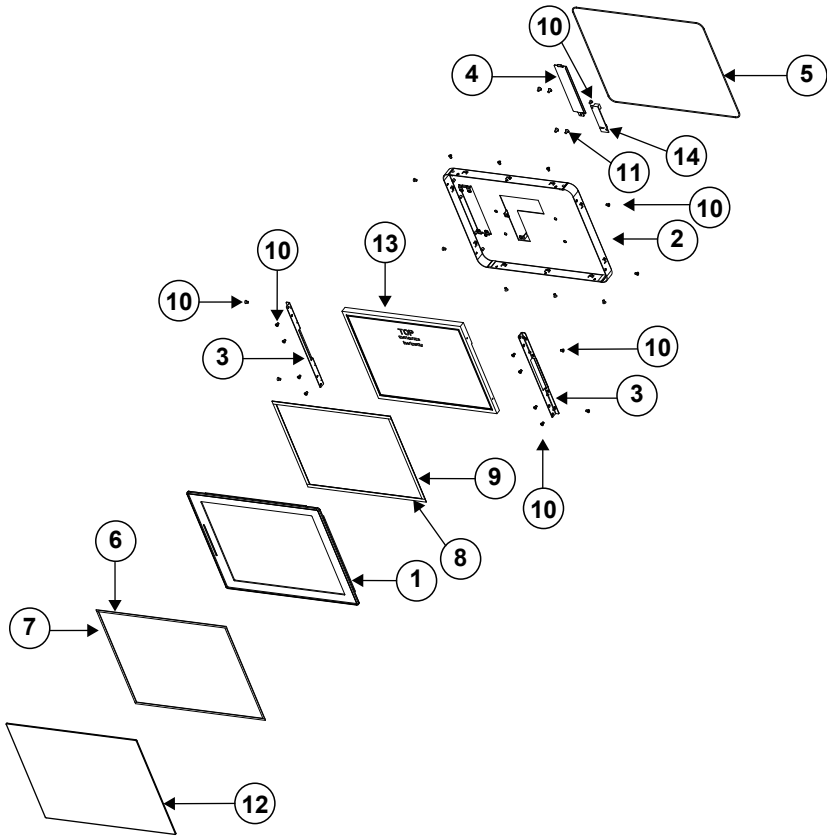
No.	Component Name	P/N No.	Q'ty
1	10.4" Zero Bezel 5-wire Resistive Touch Panel (-30~70°C)	52-380-01200114	1
2	SP-6550 GUM-R-SR (211.23x12.24x0.8mm)	34-026-05006448	1
3	SP-6550 GUM-TOP-SR (234.43x8.92x0.8mm)	34-026-05008448	1
4	Flat Head Screw #2 / M3x0.5Px5mm	22-215-30005011	10
5	10.4" TFT LCD Panel (LED Backlight), 400nits, SVGA (800x600)	52-351-01104102	1
6	SP-6550 Front Cover (w/Paint)(Black)	20-004-01061448	1
7	SP-6558 GUM-R-SR (171.79x15.85x0.8mm)	34-026-05011448	1
8	SP-6550 GUM-D-SR (228.72x16.32x0.8mm)	34-026-05002448	1
9	SP-C105 LCD Rear Cover	80-104-03001458	1
10	SP-6550 LCD Sponge (167x4x1mm)	30-013-11100448	2
11	SP-6550 LCD Sponge (220x4x1mm)	30-013-11200448	2
12	Resistive Touch Control Board	52-370-01405104	1

SP-C105 P-CAP LCD Monitor Exploded Diagram



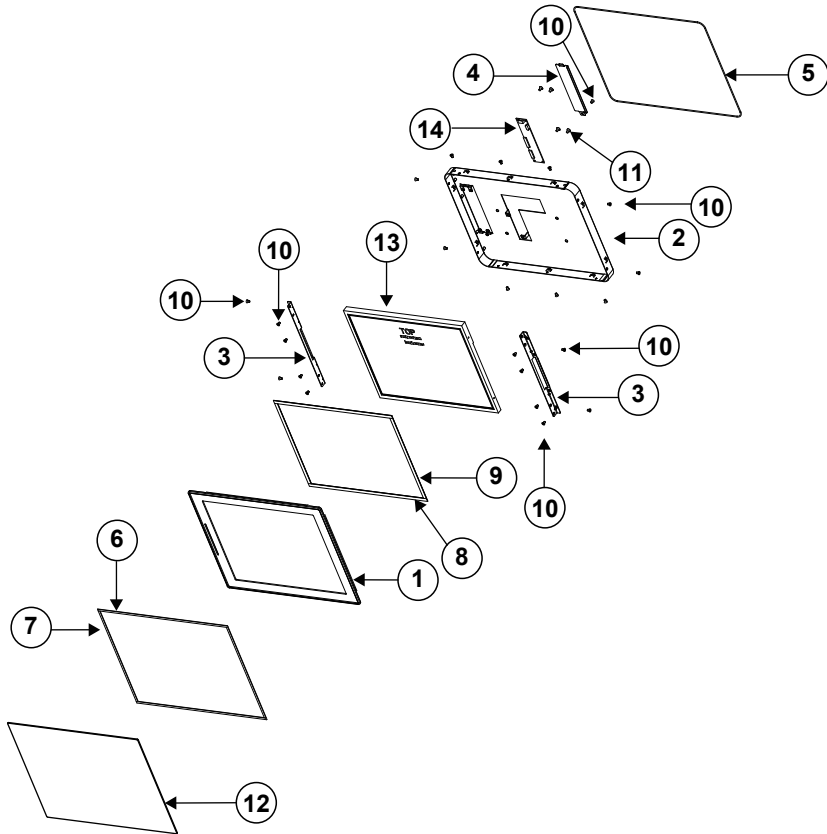
No.	Component Name	P/N No.	Q'ty
1	10.4" Zero Bezel P-CAP Touch Panel (COF) (-30~70°C)	52-380-01085014	1
2	SP-6550 GUM-R-SP (211.23x16.72x1.1mm)	34-026-05005448	1
3	SP-6558 GUM-T-SP (195.28x14.25x1.3mm)	34-026-05012448	1
4	Flat Head Screw #2 / M3x0.5Px5mm	22-215-30005011	10
5	10.4" TFT LCD Panel (LED Backlight),400nits,SVGA (800x600)	52-351-01104102	1
6	SP-6550 Front Cover (w/Paint)(Black)	20-004-01061448	1
7	SP-6550 GUM-L-SP (211.2x16.72x1.1mm)	34-026-05003448	1
8	SP-6550 GUM-D-SP (228.72x16.32x1.1mm)	34-026-05001448	1
9	SP-C105 LCD Rear Cover	80-104-03001458	1
10	SP-6550 LCD Sponge (167x4x1mm)	30-013-11100448	2
11	SP-6550 LCD Sponge (220x4x1mm)	30-013-11200448	2
12	P-CAP Control Board	52-370-02318007	1

SP-C155 Resistive LCD Monitor Exploded Diagram



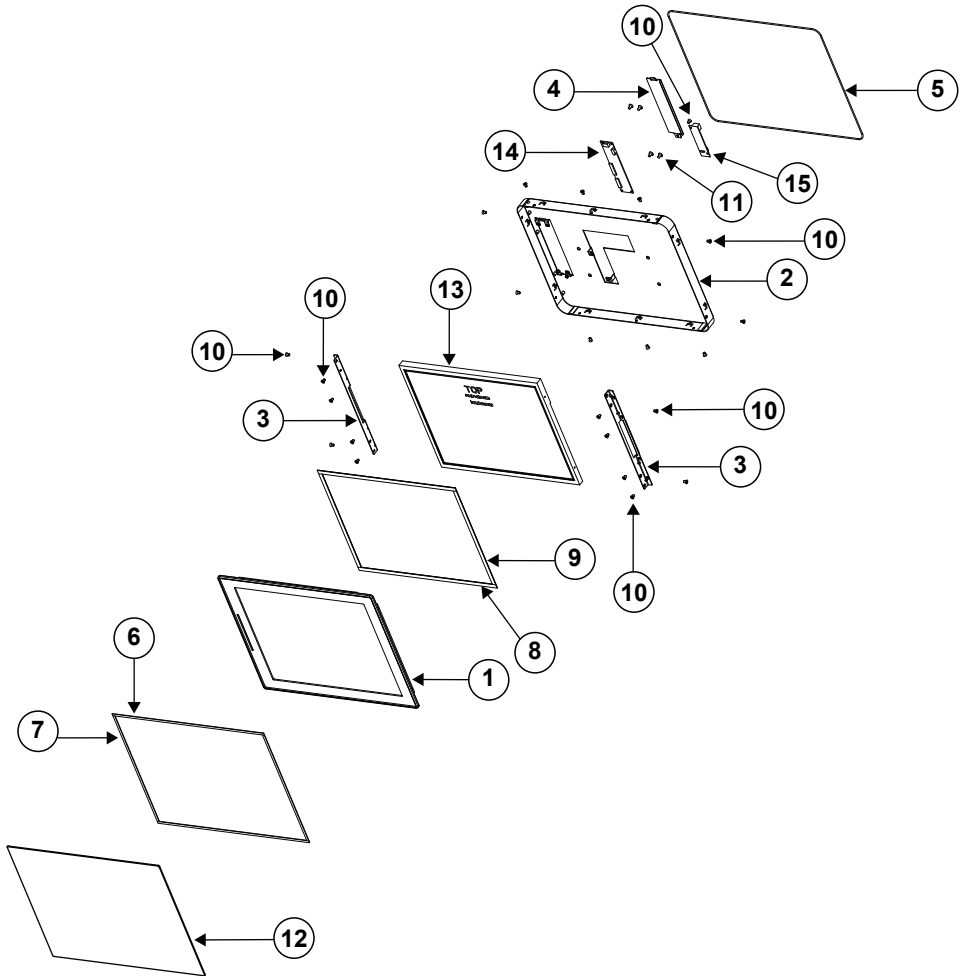
No.	Component Name	P/N No.	Q'ty
Metal (AL)			
1	Front Bezel (Black)	20-003-01061442	1
Metal (Bracket)			
2	Panel Rear Cover Bracket (w/Paint)(Black Spray)	80-106-03061459	1
3	LCD Link Holder (w/Paint)(Black)	80-129-03006442	2
4	SP-6565 Control Cover Bracket (Black)	80-106-03061442	1
Rubber			
5	WATER O RING	90-013-01100442	1
6	Double Coated Tape A (358.49x14.5x0.8mm)	34-026-06201411	2
7	Double Coated Tape B (252.83x20x0.8mm)	34-026-06202411	2
8	Thin Gap LCD Poron H (326x8x1mm)	30-013-24100411	2
9	Thin Gap LCD Poron V (233x8x1mm)	30-013-24200411	2
Screw/Other Component			
10	Flat Head Screw #2/ ϕ 5 / M3x0.5Px6mm(Black)	22-215-30006311	23
11	Round Washer Head Screw #2 / M3x0.5Px4mm	22-232-30004011	4
12	15" Capacitive Multi-Touch Panel	52-380-00075014	1
13	15" TFT LCD Panel (LED Backlight),450nits,HD(1024x768)	52-351-03006802	1
14	Resistive Touch Control Board	52-370-01405104	1

SP-C155 P-CAP LCD Monitor Exploded Diagram



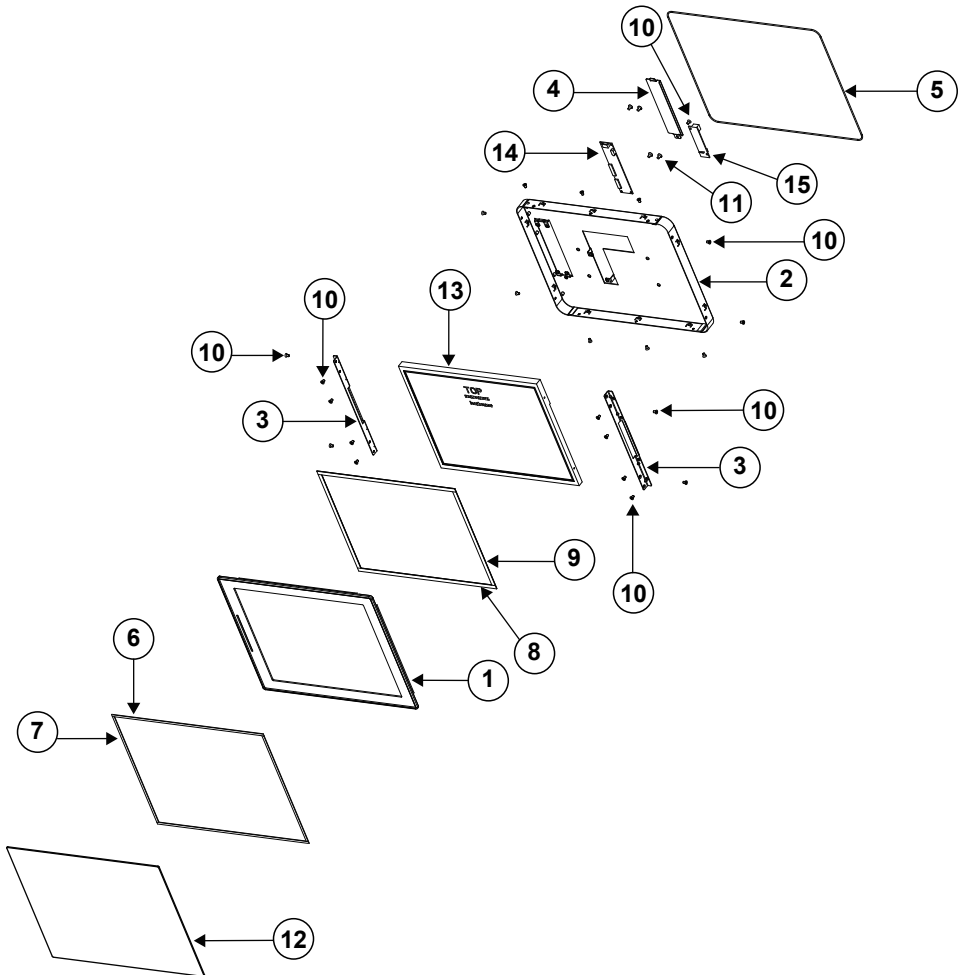
No.	Component Name	P/N No.	Q'ty
Metal (AL)			
1	Front Bezel (Black)	20-003-01061442	1
Metal (Bracket)			
2	Panel Rear Cover Bracket (w/Paint)(Black Spray)	80-106-03061459	1
3	LCD Link Holder (w/Paint)(Black)	80-129-03006442	2
4	SP-6565 Control Cover Bracket (Black)	80-106-03061442	1
Rubber			
5	WATER O RING	90-013-01100442	1
6	SP-7145 Double Tape H (358x4.5x1.1mm)	34-026-06203411	2
7	SP-7145 Double Tape V (263.5x4.5x1.1mm)	34-026-06204411	2
8	Thin Gap LCD Poron H (326x8x1mm)	30-013-24100411	2
9	Thin Gap LCD Poron V (233x8x1mm)	30-013-24200411	2
Screw/Other Component			
10	Flat Head Screw #2/ ϕ 5 / M3x0.5Px6mm(Black)	22-215-30006311	23
11	Round Washer Head Screw #2 / M3x0.5Px4mm	22-232-30004011	4
12	15" Capacitive Multi-Touch Panel	52-380-00075014	1
13	15" TFT LCD Panel (LED Backlight),450nits,HD(1024x768)	52-351-03006802	1
14	Touch Control Board for P-CAP,USB & RS232 Interface	52-370-02318007	1

SP-C175 Resistive LCD Monitor Exploded Diagram



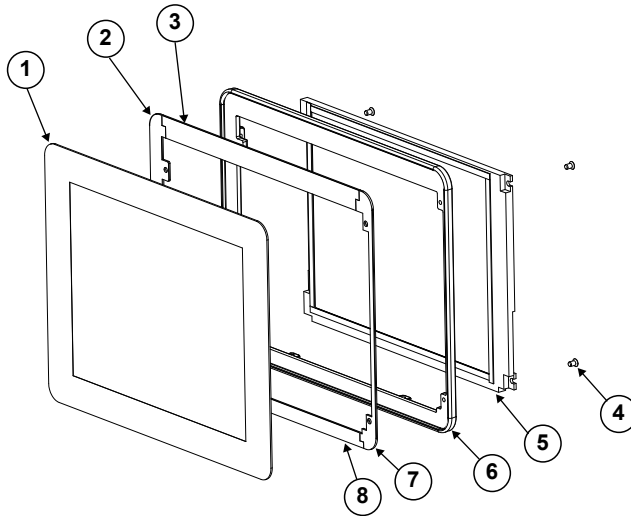
No.	Component Name	P/N No.	Q'ty
Metal (AL)			
1	Front Bezel (w/Paint) (Black)	20-003-01061443	1
Metal (Bracket)			
2	Panel Rear Cover Bracket (w/Paint)(Black Spray)	80-106-03061460	1
3	LCD Link Holder (w/Paint)(Black)	80-129-03006443	2
4	SP-6565 Control Cover Bracket (Black)	80-106-03061442	1
Rubber			
5	WATER O RING	90-013-01100443	1
6	SP-7147 ABON A-15170-1452 EPDM-H (386.92x30x0.8mm)	34-026-06201412	2
7	SP-7147 ABON A-15170-1452 EPDM-V (271.24x18x0.8mm)	34-026-06202412	2
8	Thin Gap LCD Poron-H (358x8x1mm)	30-013-24100366	2
9	Thin Gap LCD Poron-V (274x8x1mm)	30-013-24200366	2
Screw/Other Component			
10	Flat Head Screw #2/ ϕ 5 / M3x0.5Px6mm(Black)	22-215-30006311	25
11	Round Washer Head Screw #2 / M3x0.5Px4mm	22-232-30004011	4
12	17" 5-wire Resistive Touch Panel	52-380-04211114	1
13	17" TFT LCD Panel (LED Backlight),350nits,SXGA(1280x1024)	52-351-04017002	1

SP-C175 P-CAP LCD Monitor Exploded Diagram



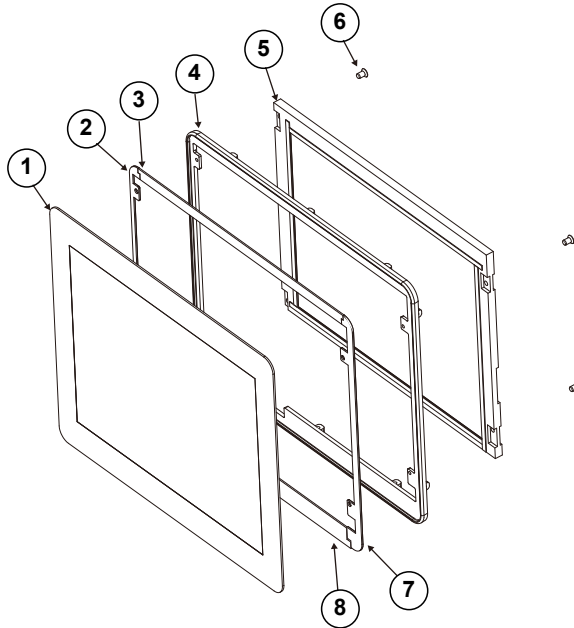
No.	Component Name	P/N No.	Q'ty
Metal (AL)			
1	Front Bezel (w/Paint) (Black)	20-003-01061443	1
Metal (Bracket)			
2	Panel Rear Cover Bracket (w/Paint)(Black Spray)	80-106-03061460	1
3	LCD Link Holder (w/Paint)(Black)	80-129-03006443	2
4	SP-6565 Control Cover Bracket (Black)	80-106-03061442	1
Rubber			
5	WATER O RING	90-013-01100443	1
6	Double Coated Tape H (387x7.5x1.1mm)	34-026-06203412	2
7	Double Coated Tape V (304x15x1.1mm)	34-026-06204412	2
8	Thin Gap LCD Poron-H (358x8x1mm)	30-013-24100366	2
9	Thin Gap LCD Poron-V (274x8x1mm)	30-013-24200366	2
Screw/Other Component			
10	Flat Head Screw #2/ ϕ 5 / M3x0.5Px6mm(Black)	22-215-30006311	23
11	Round Washer Head Screw #2 / M3x0.5Px4mm	22-232-30004011	4
12	17" P-Cap Touch Panel	52-380-04121114	1
13	17" TFT LCD Panel (LED Backlight), 350nits, SXGA(1280x1024)	52-351-04017002	1
14	Touch Control Board for P-CAP	52-370-02318007	1

SP-C085 Touch Panel Exploded Diagram



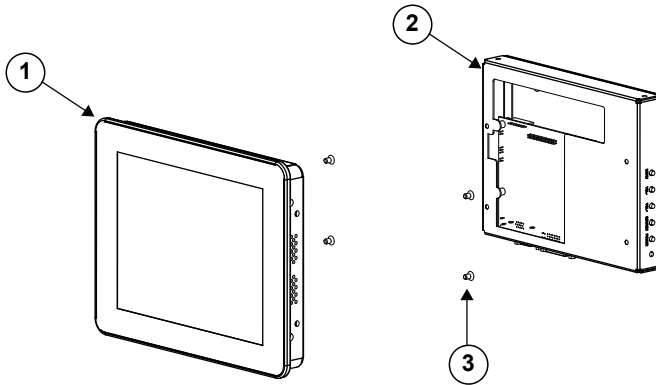
No.	Component Name	P/N No.	Q'ty
1	8.4" Zero Bezel 5-wire Resistive Touch Panel(-30~70°C)	52-380-06840128	1
	8.4" Zero Bezel P-CAP Touch Panel(COF)(-30~70°C)	52-380-06800028	1
2	SP-6558 GUM-L-SR (171.8x19.25x0.8mm)	34-026-05016448	1
	SP-6558 GUM-L-SP (171.8x19.25x1.3mm)	34-026-05015448	1
3	SP-6558 GUM-T-SR (195.28x14.2x0.8mm)	34-026-05013448	1
	SP-6558 GUM-T-SP (195.28x14.25x1.3mm)	34-026-05012448	1
4	Flat Head Screw #2 / M3x0.5Px5mm	22-215-30005011	4
5	8.4" TFT LCD Panel (LED Backlight),600nits,SVGA(800x600)	52-351-00840230	1
6	SP-6558 Front Cover (w/Paint)(Black)	20-004-01062448	1
7	SP-6558 GUM-R-SR (171.79x15.85x0.8mm)	34-026-05011448	1
	SP-6558 GUM-R-SP (171.79x15.85x1.3mm)	34-026-05010448	1
8	SP-6558 GUM-D-SR (195.28x9.34x0.8mm)	34-026-05009448	1
	SP-6558 GUM-D-SP (195.28x9.34x1.3mm)	34-026-05014448	1

SP-C105 Touch Panel Exploded Diagram



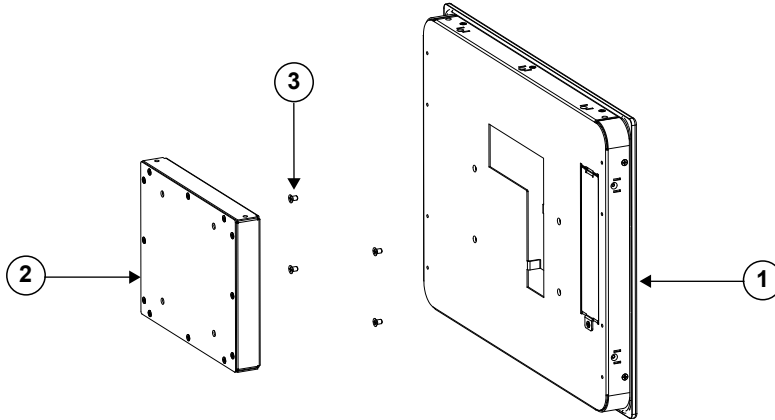
No.	Component Name	P/N No.	Q'ty
1	10.4" Zero Bezel 5-wire Resistive Touch Panel (-30~70°C)	52-380-01200114	1
	10.4" Zero Bezel P-CAP Touch Panel (COF) (-30~70°C)	52-380-01085014	1
2	SP-6550 GUM-R-SR (211.23x12.24x0.8mm)	34-026-05006448	1
	SP-6550 GUM-R-SP (211.23x16.72x1.1mm)	34-026-05005448	1
3	SP-6550 GUM-TOP-SR (234.43x8.92x0.8mm)	34-026-05008448	1
	SP-6550 GUM-T-SP (234.43x8.92x1.1mm)	34-026-05007448	1
4	SP-6550 Front Cover (w/Paint)(Black)	20-004-01061448	1
5	10.4" TFT LCD Panel (LED Backlight), 400nits, SVGA (800x600)	52-351-01104102	1
6	Flat Head Screw #2 / M3x0.5Px5mm	22-215-30005011	4
7	SP-6550 GUM-L-SR (211.2x16.72x0.8mm)	34-026-05004448	1
	SP-6550 GUM-L-SP (211.2x16.72x1.1mm)	34-026-05003448	1
8	SP-6550 GUM-D-SR (228.72x16.32x0.8mm)	34-026-05002448	1
	SP-6550 GUM-D-SP (228.72x16.32x1.1mm)	34-026-05001448	1

SP-C085 / SP-C105 Panel Module Assembly Exploded Diagram



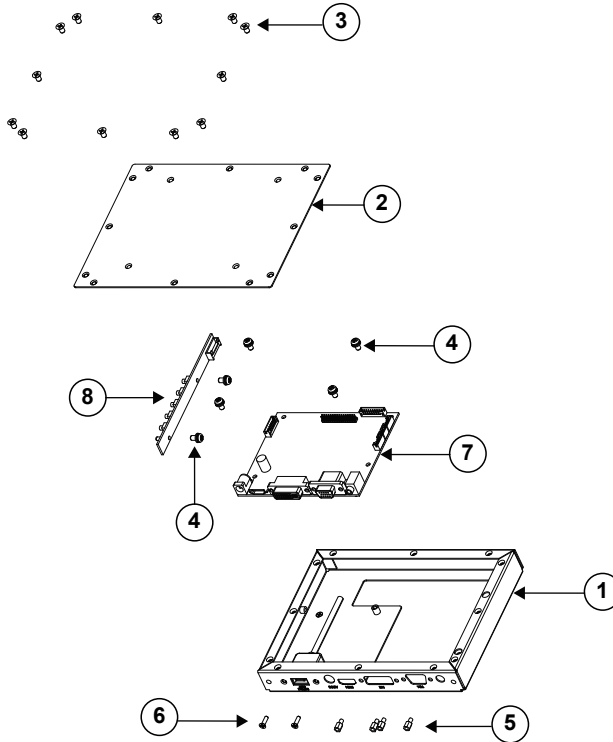
No.	Component Name	P/N No.	Q'ty
1	Front Panel Assy	N/A	1
2	Rear A/D PCB Box Assy	N/A	1
3	Flat Head Screw #2/ ϕ 5 / M3x0.5Px6mm(Black)	22-215-30006311	4

SP-C155 / SP-C175 Panel Module Assembly Exploded Diagram



No.	Component Name	P/N No.	Q'ty
1	Front Panel Assy	N/A	1
2	Rear A/D PCB Box Assy	N/A	1
3	Flat Head Screw #2/ ϕ 5 / M3x0.5Px6mm(Black)	22-215-30006311	4

A/D Box Assembly Exploded Diagram

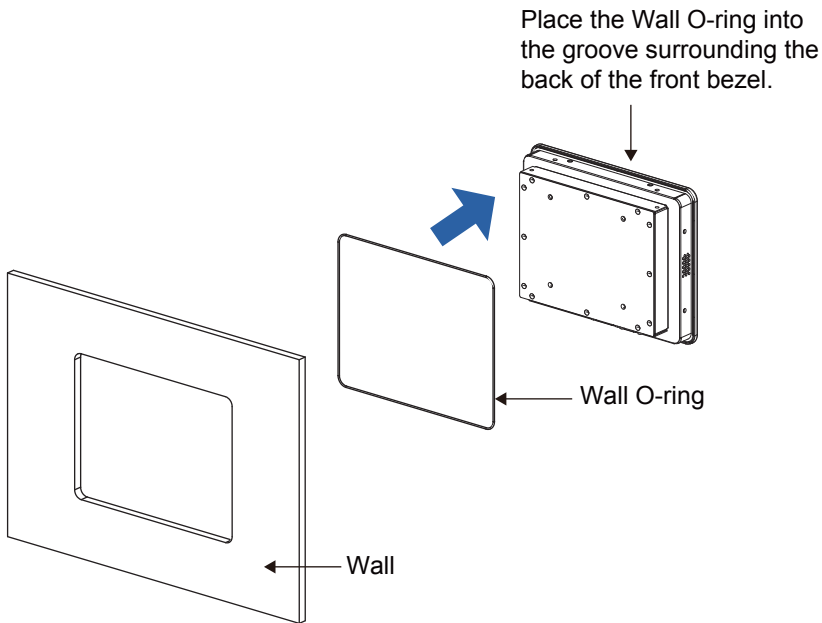


No.	Component Name	P/N No.	Q'ty
Metal (Bracket)			
1	SP-C085/C105/C155/C175 Rear Box Bracket (w/Paint)(Black)	80-106-03061457	1
2	SP-C085/C105/C155/C175 Rear Box Cover Bracket (w/Paint)(Black)	80-106-03062457	1
Screw / Other Component			
3	Flat Head Screw #2/ ϕ 5 / M3x0.5Px6mm (Black)	22-215-30006311	12
4	Round Head With Spring Washer Screw M3x0.5Px5mm	22-232-30060011	6
5	HEX CU BOSS UNC No.4-40,L=4.8,H=7mm	22-692-40048051	4
6	Flat Head Screw #2/UNC-No.4-40, L=8mm, FLAT=1.0mm	22-315-40008019	2
7	A/D Board	52-152-20058330	1
8	OSD Board	52-152-21079430	1

SP-C085/SP-C105 Wall O-Ring Installation Exploded Diagram

Step 1. Place the Wall O-ring into the groove surrounding the back of the front bezel.

Step 2. Install the LCD Monitor on the wall.

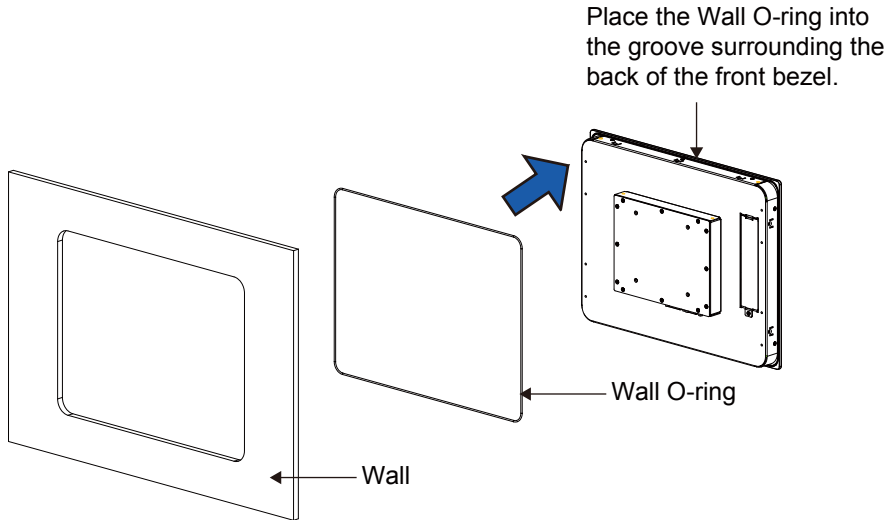


Component Name	P/N No.	Q'ty
SP-C085 WATER O RING	30-013-01200448	1
SP-C105 WATER O RING	30-013-01100448	1

SP-C155/SP-C175 Wall O-Ring Installation Exploded Diagram

Step 1. Place the Wall O-ring into the groove surrounding the back of the front bezel.

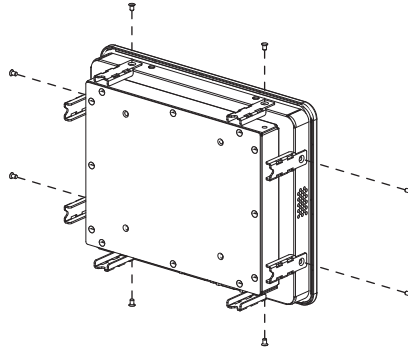
Step 2. Install the LCD Monitor on the wall.



Component Name	P/N No.	Q'ty
SP-C155 WATER O RING	90-013-01100442	1
SP-C175 WATER O RING	90-013-01100443	1

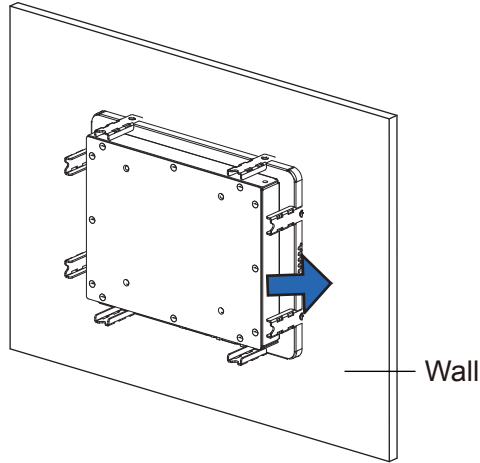
SP-C085/SP-C105 Hook Installation Exploded Diagram (1)

Step 1. Install the hooks into the mounting holes on the four sides of the LCD Monitor with 8 x M3x5mm screws.



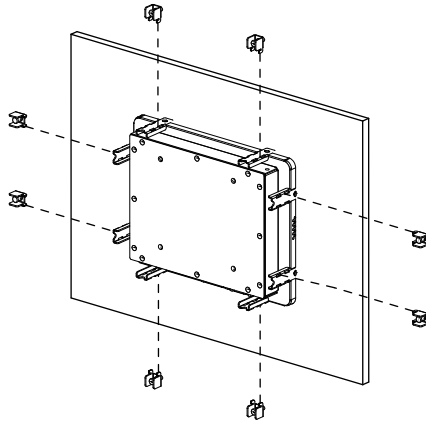
SP-C085/SP-C105 Hook Installation Exploded Diagram (2)

Step 2. Mount the LCD Monitor equipped with 8 hooks onto the wall firmly.



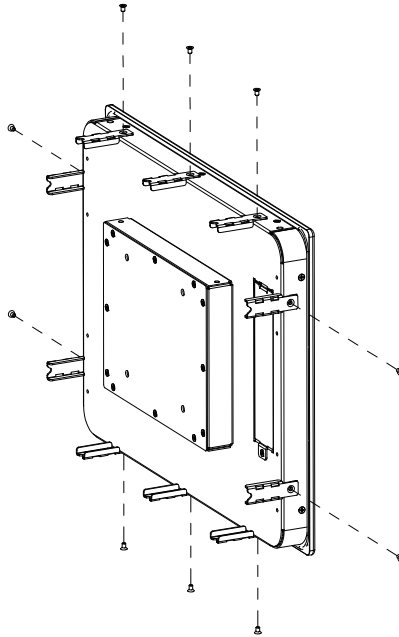
SP-C085/SP-C105 Hook Installation Exploded Diagram (3)

Step 3. Install 8 hooks on the mounting brackets on the four sides of the LCD Monitor to secure firmly.



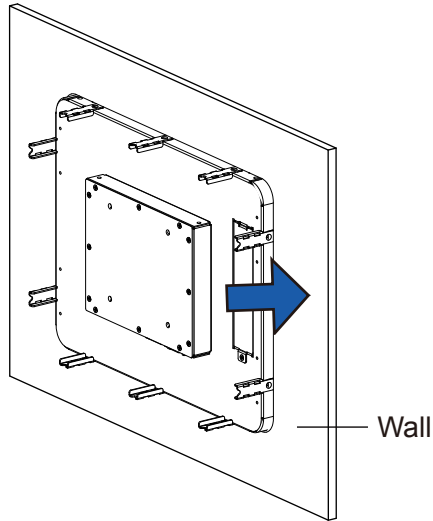
SP-C155/SP-C175 Hook Installation Exploded Diagram (1)

Step 1. Install the hooks into the mounting holes on the four sides of the LCD Monitor with 10 x M3x5mm screws.



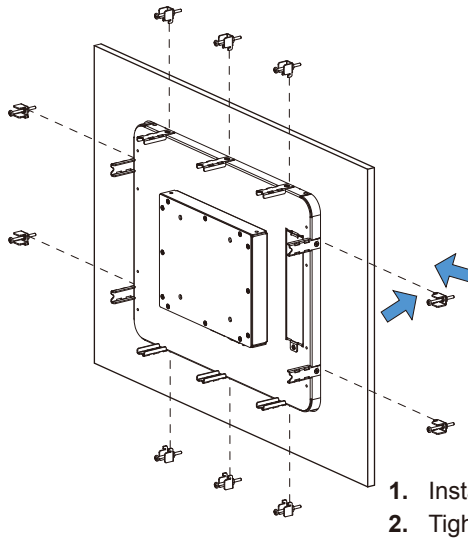
SP-C155/SP-C175 Hook Installation Exploded Diagram (2)

Step 2. Mount the LCD Monitor equipped with 10 hooks onto the wall firmly.

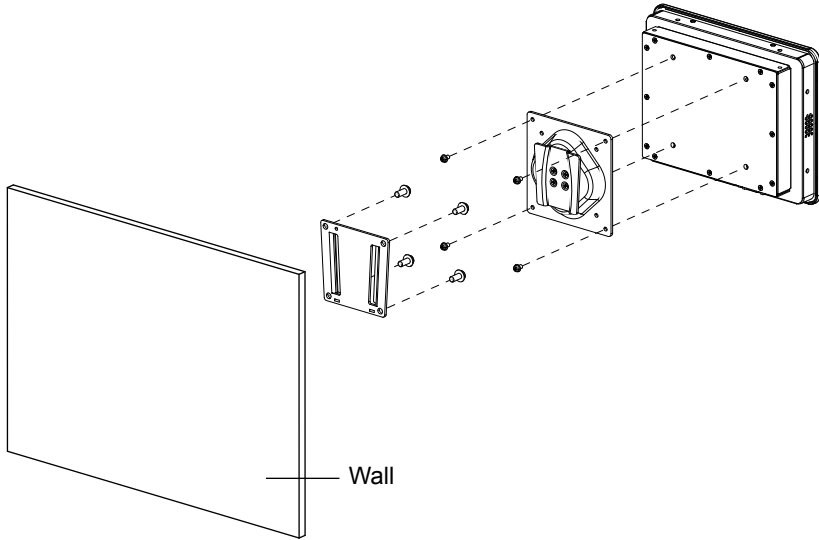


SP-C155/SP-C175 Hook Installation Exploded Diagram (3)

Step 3. Install 10 hooks on the mounting brackets on the four sides of the LCD Monitor and fasten the mating screws (M4x35mm) to secure firmly.



SP-C085/SP-C105 VESA Mount Installation Exploded Diagram



SP-C155/SP-C175 VESA Mount Installation Exploded Diagram

