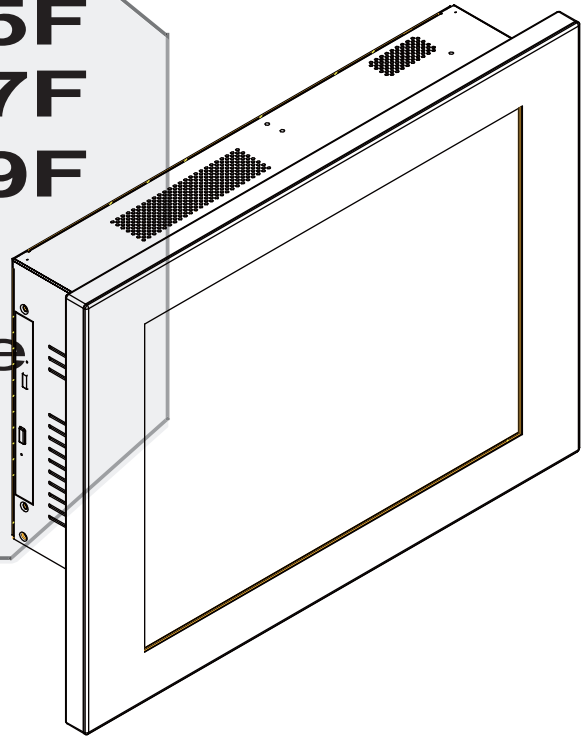




**PPC-7915F
PPC-7917F
PPC-7919F**

**Quick
Reference
Guide**



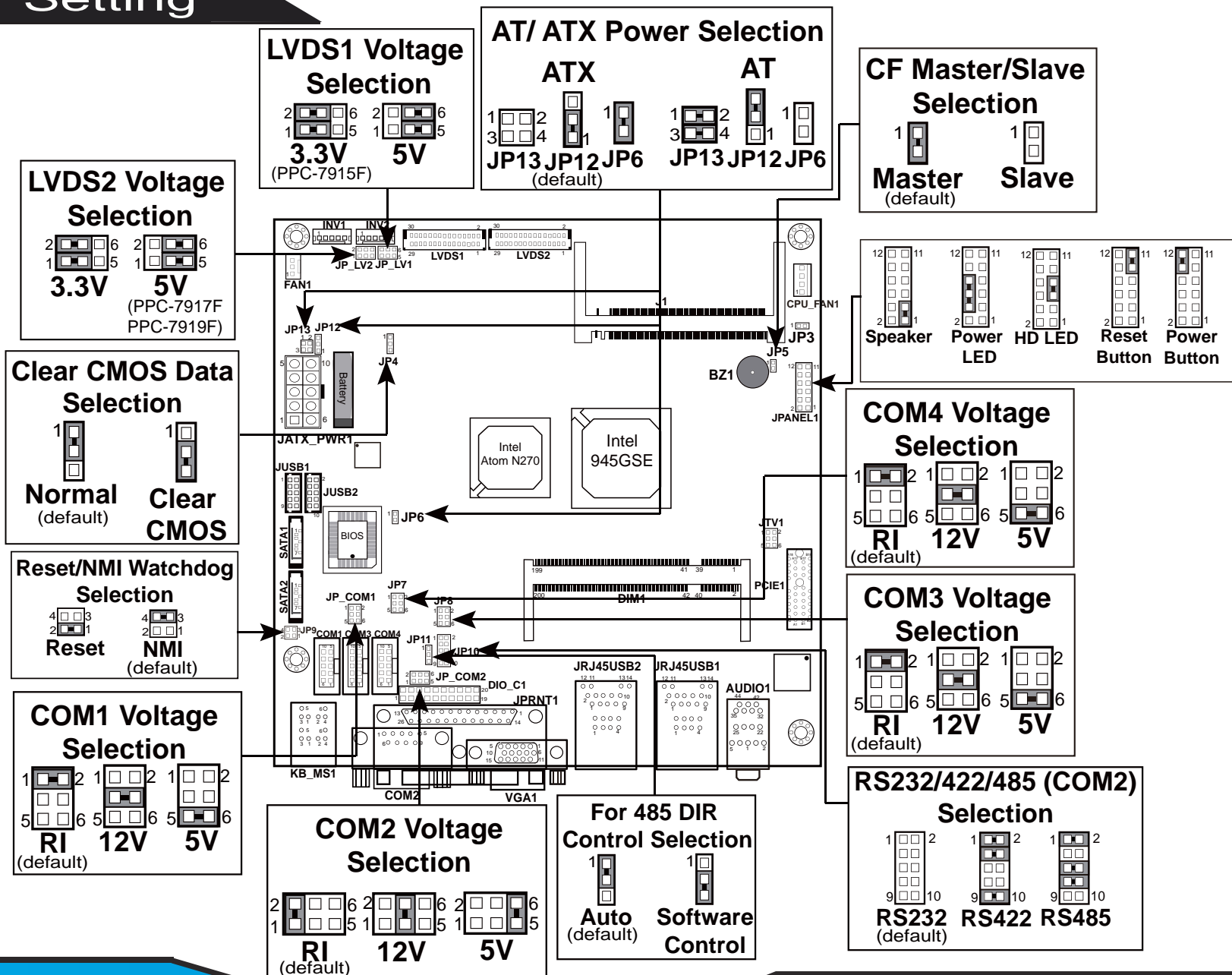
Manual ver Q1

All Right Reserved Copyright 2009

Specification

System	
CPU Type	Intel® ATOM N270 (1.6GHz)
Chipset	Intel® 945GSE + ICH7M (FSB: 533MHz)
Memory Support	1 x 200pin DDRII SO-DIMM, Support DDR II 533 SDRAM up to 2GB
Front Bezel	Stainless Steel
IP65/NEMA4	Yes
Power Supply	DC 24Vin 100W power supply (optional power adaptor)
Dimension (WxHxD)	PPC-7915F: 403 x 303 x 84 mm (15.87" x 11.93" x 3.31") PPC-7917F: 452 x 366 x 89 mm (17.8" x 14.4" x 3.5") PPC-7919F: 497 x 420 x 91.5 mm (19.65" x 16.5" x 3.6")
System Weight	PPC-7915F: 6.6 kg PPC-7917F: 8.8 kg PPC-7919F: 10.8 kg
VESA Mounting Support	75 /100 mm VESA braket (optional)
Certificate	CE/FCC
I/O Ports	
USB	4 x USB2.0
KB/Mouse	2 x PS/2 port
Audio	Line-in/ Line-out/ Mic-in
Parallel Port	1 x parallel port (SPP/EPP/ECP)
Serial Port	4 x COM port (All COM ports support +5V or +12V), COM2 for RS232/422/485 selectable
Digital I/O	8 in/ 8 out (share with Parallel port)
LAN	2 x LAN (10/100/1000 Mbps)
VGA	1 x VGA
Drive Bay	1 x 2.5" SATA HDD, 1 x IDE CF slot on board, 1 x slim SATA CD-ROM
Display	
LCD	PPC-7915F: 15" LCD Panel XGA 1024 x 768 PPC-7917F: 17" LCD Panel SXGA 1280 x 1024 PPC-7919F: 19" LCD Panel SXGA 1280 x 1024
Touch Screen	5W Analog resistive (USB interface)
Environment	
Temperature	Operation Temperature 0~40 °C(32~104 °F), Storage Temperature -20~60 °C(-4~140 °F)
Humidity	Operation Humidity 20~90%

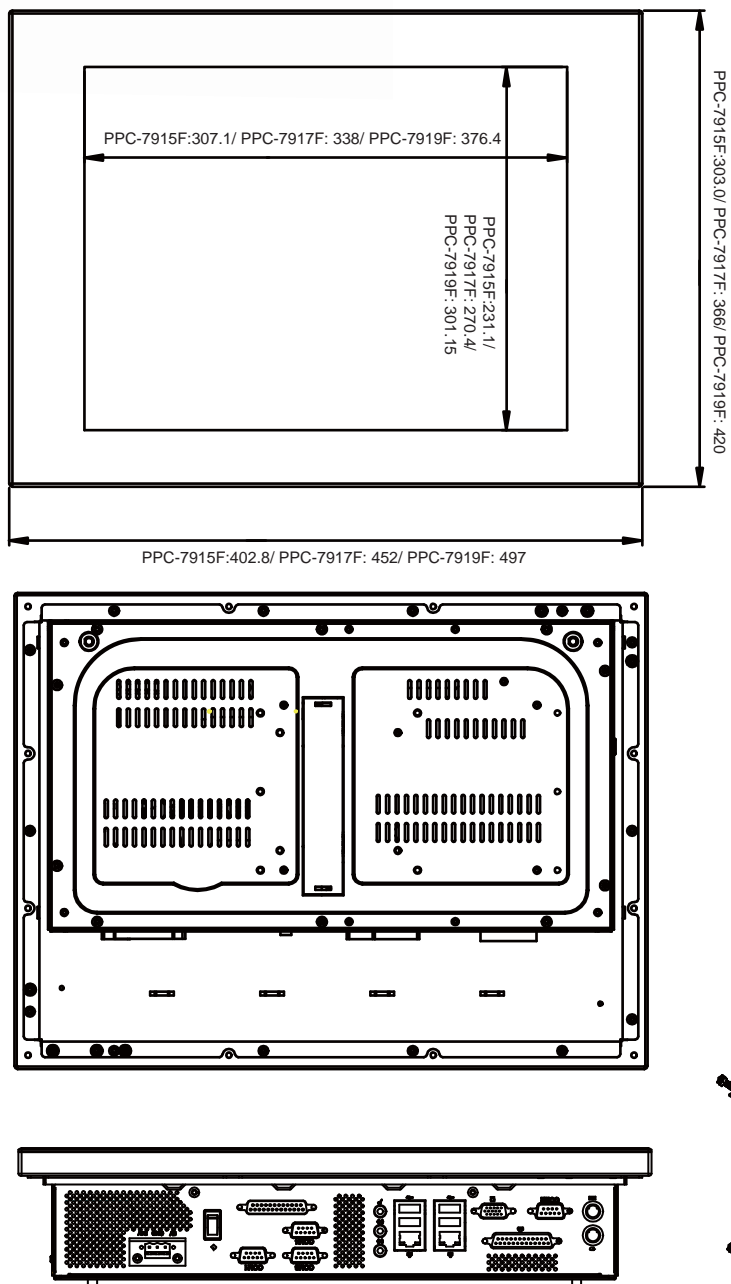
Jumper Setting



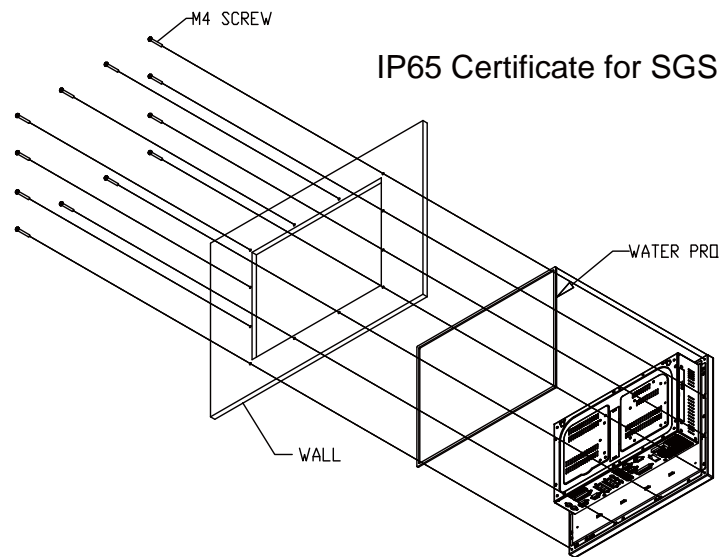
PPC-7915F/PPC-7917F/PPC-7919F

Fanless and Low Power 15"/ 17"/ 19" ATOM Platform Panel PC

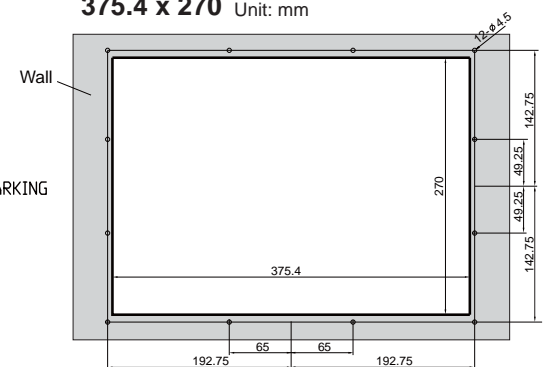
System View



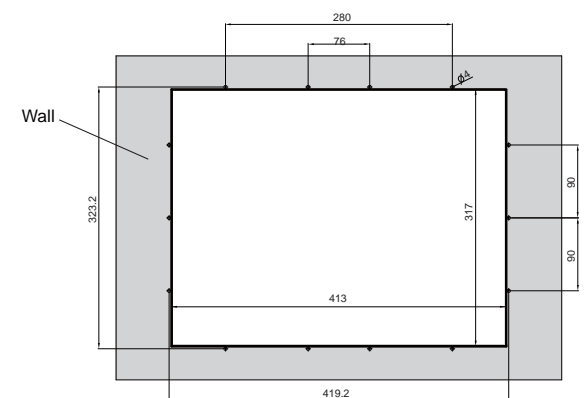
Wall Mount



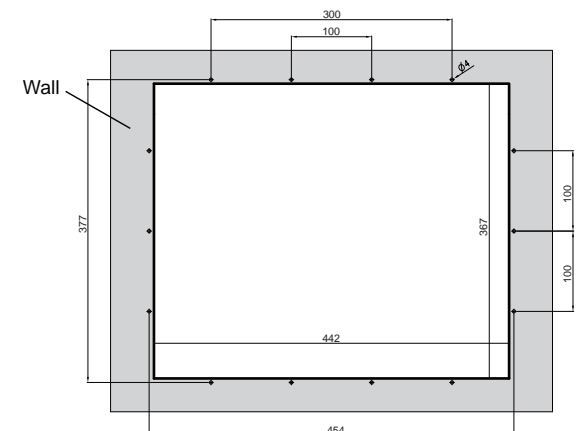
PPC-7915F Cut-Out Dimension:
375.4 x 270 Unit: mm



PPC-7917F Cut-Out Dimension:
413 x 317 Unit: mm



PPC-7919F Cut-Out Dimension:
442 x 367 Unit: mm



Safety & Notification

The following messages are reminders for safety on how to protect your systems from damages and to extend a long life of the system.

1. Check the Cable Voltage
 - * Make sure the range of operating voltage that is between AC 100V and AC 240V. Otherwise, the system could be damaged.
2. Environmental Conditions
 - * Place your PPC-7915F/PPC-7917F/PPC-7919F on a sturdy, level surface. Be sure to allow enough space to have easy access around the system.
 - * Avoid extremely hot or cold place to install the system.
 - * Avoid exposure to sunlight for a long period of time or in a airtight space. Also, avoid the system from any heating device or use PPC-7915F/PPC-7917F/PPC-7919F when it's been left outdoors in a cold winter day.
 - * Bear in mind that the operating ambient temperature is from 0 °C up to +40 °C .
 - * Avoid moving the system rapidly from a hot place to a cold place and vice versa. Because condensation may come from inside of the system.
 - * Place PPC-7915F/PPC-7917F/PPC-7919F in strong vibrations may cause hard disk failure.
 - * Do not place the system too close to any radio active device. Radio-active device may cause signal interference.
3. Handling
 - * Avoid putting heavy objects on top of the system.
 - * Do not turn the system upside down. This may cause the floppy drive and hard drive to mal-function.
 - * Do not remove the diskette from the floppy drive while the light is still on. The floppy drive can be damaged if you do so.
 - * If wate or other liquid spills into this product, unplug the power cord immediately.
4. Good Care
 - * When the outside of the case is stained, remove the stain with neutral washing agent with a dry cloth.
 - * Never use strong agents such as benzene and thinner to clean the system.
 - * If heavy stains are present, moisten a cloth with diluted neutral washing agent or with alcohol and then wipe thoroughly with a dry cloth.