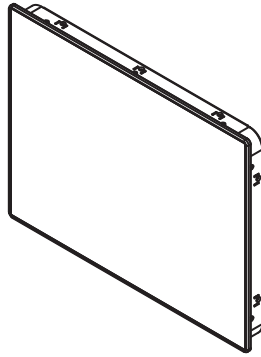


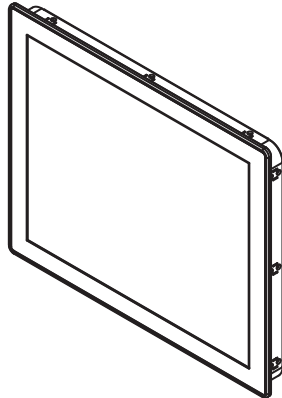
SP-6555-R/ SP-6557-R/

Quick Reference Guide

SP-6555-R



SP-6557-R



Ver. Q1

All Rights Reserved. Copyright 2021

Specifications

System

CPU Type	Intel® Celeron® J3455: 10w, 4C, 2.3GHz Intel® Celeron® N3350: 6w, 2C, 2.4GHz
Memory Support	1 x DDR3L 1600/1867MHz SO-DIMM socket (up to 8GB)
API	Hardware monitor / WatchDog
Storage Support	1 x 2.5" 7mm SATAIII HDD / SSD drive space
Power	Supports DC 12V, 19V and 24V power input
Operating System	Windows 10 64bit / Ubuntu 17.04 64bit (kernel: 4.4)
Power Adaptor	Adapter w/ lockable 3-pin terminal block (optional)
Expansion Slots	1 x full-sized mPCIe slot (with PCIe and USB signals) 1 x full-sized mSATA slot (with SATA and USB signals)
Dimensions / Weight	SP-6555-R: 365.28 x 279.73 x 75.08mm (WxHxD) / 5.7kg SP-6557-R: 395.75 x 328.17 x 75.08mm (WxHxD) / 6.5kg

Mounting Support: Wall Mount / VESA 75 / Panel Mount

Certificate: FCC/CE

I/O Ports (Top side)

USB	Normal SKU: 2 x USB 2.0 (option) / PoE SKU: N/A
Serial Ports	COM2: RS-232/422/485 selectable by BIOS(Default: RS-232) COM3&4: RS-232 w/ RI/5V/12V selectable by jumper (Default: RI) Normal SKU: COM2~4 PoE SKU: COM3~4 & COM2 or DIO (Default: COM2)
GPIO	Normal SKU: 1 (option, independent) PoE SKU: 1 (option, choose either COM2 or DIO)
Antenna Holes	Normal SKU: 4 x antenna holes for reservation PoE SKU: 2 x antenna holes for reservation
LAN	Normal SKU: N/A / PoE SKU: 2 x PoE LAN or 2 x GbE LAN

I/O Ports (Bottom side)

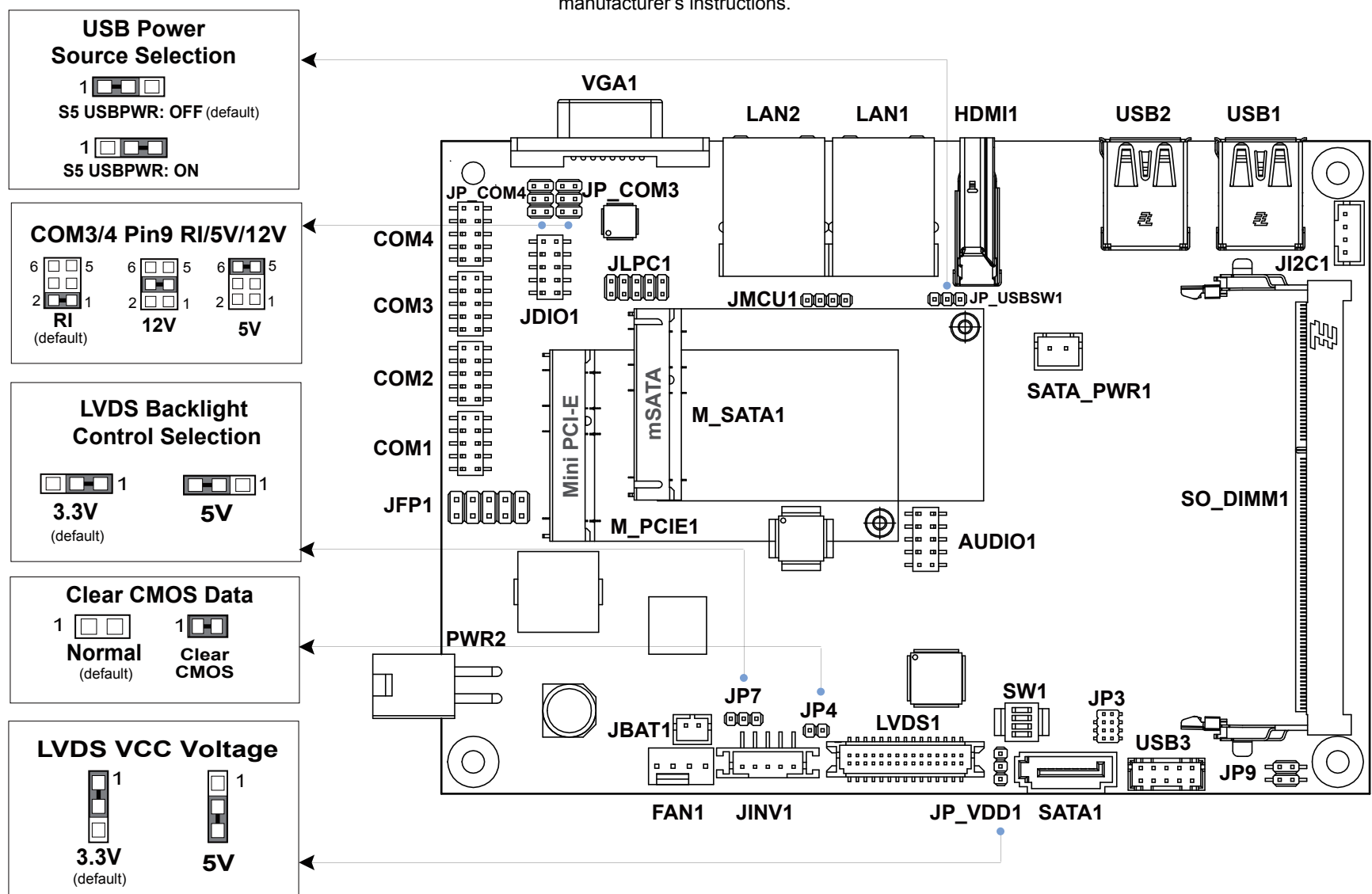
Display	1 x HDMI1.4a, resolution: up to 4096x2160 @60Hz
USB / Sound	4 x USB 3.0 / Line Out
LAN	2 x GbE LAN (support Wake-on-LAN) / LAN1 & 2: Intel® I210AT
Power Input	3-pin DC In terminal block (lockable)
Power On / Off	1 x Power Button & 1 x Extended Power Switch
LED	1 x Power LED

Environment

Operating Temp.	SSD: 0°C~45°C (32°F~113°F) / HDD: 0°C~40°C (32°F~104°F)
Storage Temp.	-30°C ~60°C (-22°F~140°F)
Humidity	20% ~ 90%

Jumper Setting

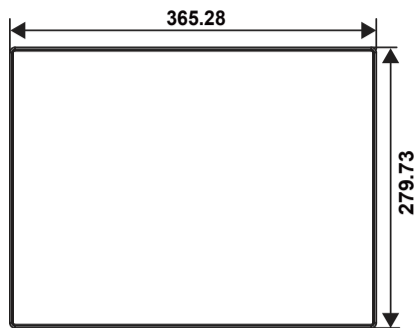
CAUTION! Danger of explosion may occur if the battery is replaced incorrectly. Replace batteries only with the same or equivalent type recommended by the manufacturer. Dispose the used batteries according to the manufacturer's instructions.



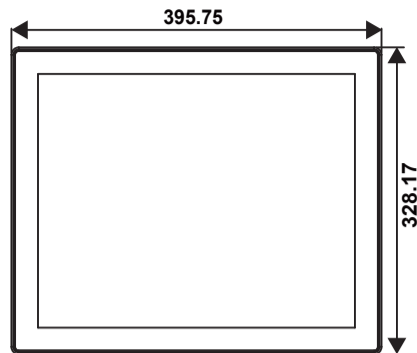
System Overview

(Unit: mm)

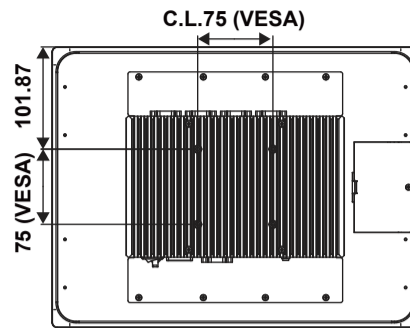
SP-6555 Front View



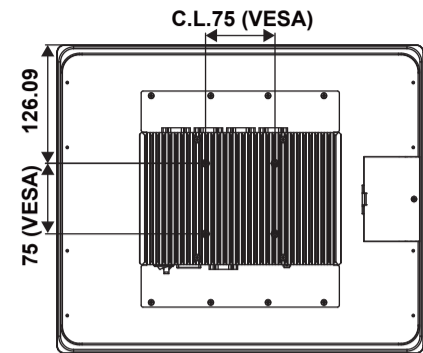
SP-6557 Front View



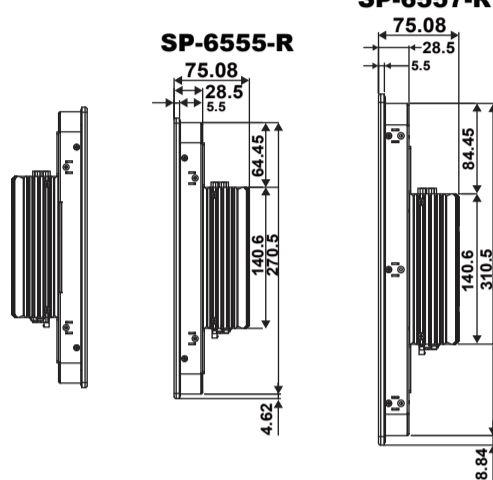
SP-6555-R Rear View



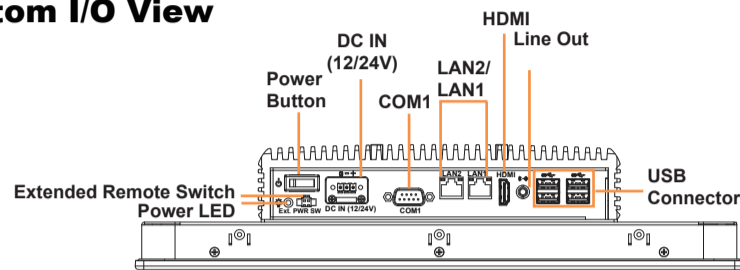
SP-6557-R Rear View



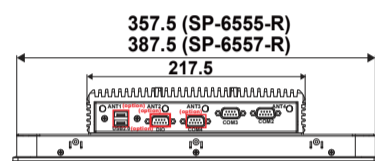
Side View



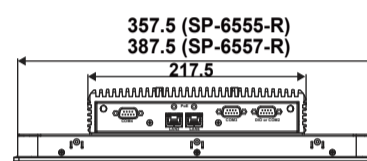
Bottom I/O View



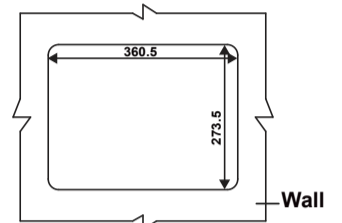
Top View Normal SKU



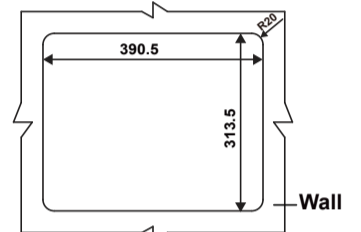
PoE SKU



Wall Mount Cut-out Dimensions SP-6555-R



SP-6557-R



Quick Setup

Installing Hooks

SP-6555-R / SP-6557-R

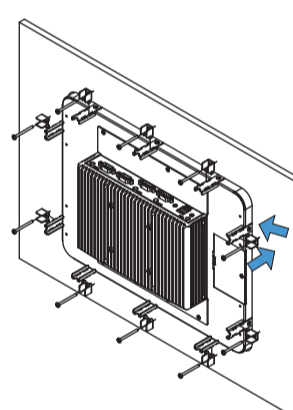
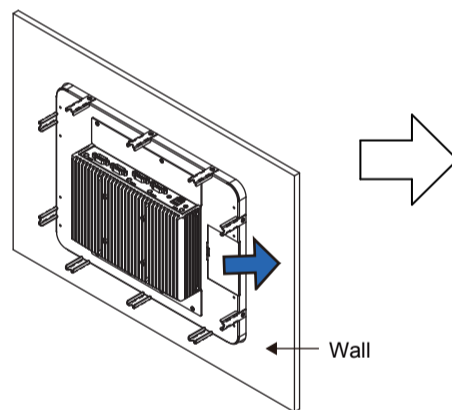
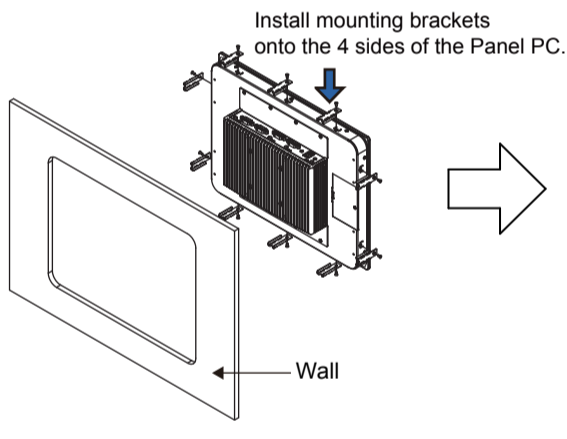
Step 1. Install the mounting brackets into the mounting holes on the four sides of SP-6555-R using 10 x M3x5mm screws and 12 x M3x5mm screws for SP-6557-R.

SP-6555-R / SP-6557-R

Step 2. Mount SP-6555-R Panel PC equipped with 10 mounting brackets and 12 mounting brackets for SP-6557-R Panel PC onto the wall firmly.

SP-6555-R / SP-6557-R

Step 3. Install 10 x hooks onto the mounting brackets on the four sides of SP-6555-R Panel PC and 12 x hooks for SP-6557-R Panel PC, and then fasten the mating screws to secure firmly and complete the installation.



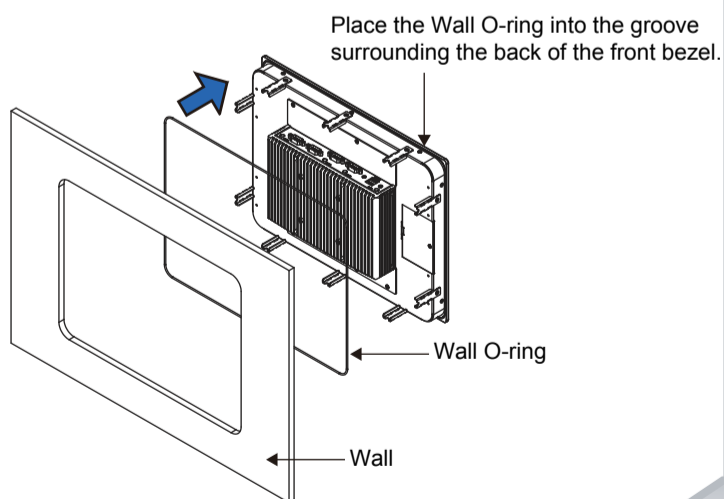
Hook Accessories (option)



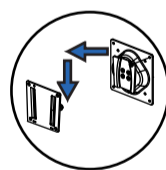
1. Install the hook.
2. Tighten the screw.

Installing Wall O-ring

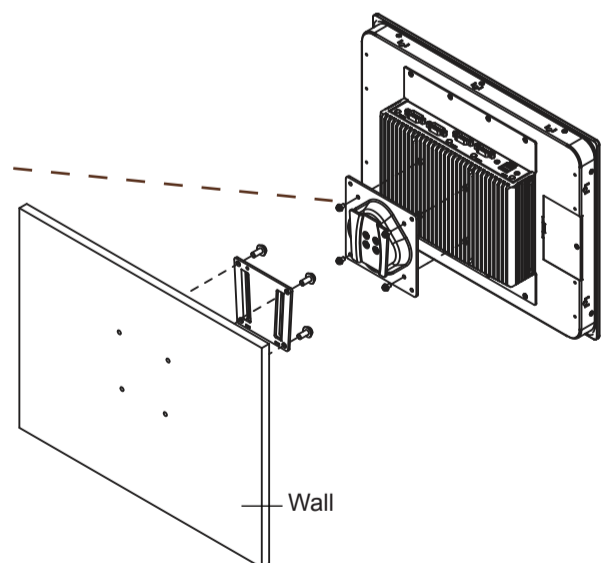
Step 1. Place the Wall O-ring into the groove surrounding the back of the front bezel.
Step 2. Install the system onto the wall.



Installing VESA Mount



VESA Mount Accessories



Safety Precaution

The following messages are reminders for safety on how to protect your system from damages and extend a long life for the system.

1. Check the Cable Voltage

- The range of operating voltage should be 12V, 19V or 24V DC. Otherwise, the system could be damaged.

2. Environmental Conditions

- Place your SP-6555-R / SP-6557-R on a sturdy, level surface. Be sure to allow enough space to have easy access around the system.
- Avoid extremely hot or cold place to install the system.
- Avoid exposure to sunlight for a long period of time or in an airtight space.
- Avoid the system from any heating device or using SP-6555-R / SP-6557-R when it's been left outdoors in a cold winter day.
- Bear in mind that the operating ambient temperature is from 0°C ~ 50°C (32°F ~ 122°F) for SSD.
- Avoid moving the system rapidly from a hot place to a cold place and vice versa because condensation may come from inside of the system.
- Placing SP-6555-R / SP-6557-R in strong vibrations may cause hard disk failure.
- Don't place the system close to any radio-active device in case of signal interference.

3. Handling

- Avoid putting heavy objects on top of the system.
- Don't turn the system upside down. This may cause the floppy drive and hard drive to mal-function.
- If water or other liquid spills into this product, unplug the power cord immediately.

4. Good Care

- When the outside of the case is stained, remove the stain with a neutral washing agent with a dry cloth.
- Never use strong agents such as benzene and thinner to clean the system.
- If heavy stains are present, moisten a cloth with diluted neutral washing agent or with alcohol and then wipe thoroughly with a dry cloth.
- If dust has been accumulated on the outside, remove it by using a special vacuum cleaner for computers.

CAUTION! Danger of explosion if battery is incorrectly replaced. Replace only with the same or equivalent type recommended by the manufacturer. Dispose of used batteries according to the manufacturer's instructions.

WARNING! Some internal parts of the system may have high electrical voltage. And therefore we strongly recommend that qualified engineers can open and disassemble the system. Please handle LCD and Touchscreen with extra care as they are easily breakable.