



Intel® Atom® / Celeron® Processor Fanless and Low Power 10.4" Panel PC



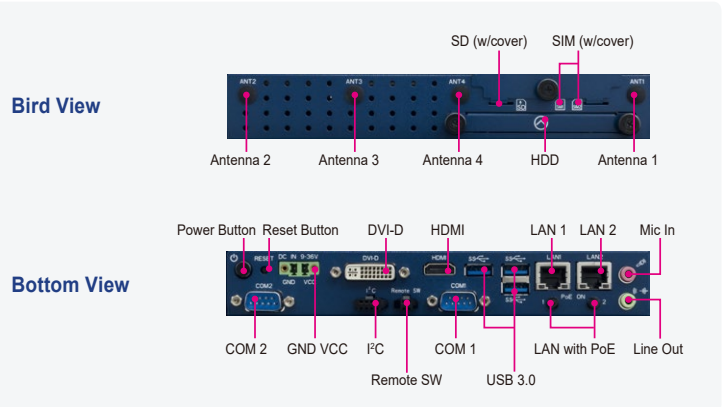
Specifications

System	
CPU Type	Intel® Celeron® J3455 4C, 2.3GHz Intel® Atom® x7 E3950 4C, 1.8GHz
Chipset	Intel® SoC
Memory Support	1 x DDR3L 1600/1867MHz SO-DIMM socket (up to 8GB)
Watchdog	1~255 seconds watchdog timer selectable
Storage	1 x 2.5" SATA HDD or SSD
Front Bezel	Aluminum
IP65	Yes (for front panel only)
Power Input	DC In 9~36V
Operating System	Windows 10 IoT Enterprise LTSC 2016 64bit / Ubuntu 16.04 LTS
Dimensions (W x H x D)	259.4 x 215.8 x 73.6 mm
System Weight	3 kg
Mounting Support	Wall mount / VESA 100 / Panel mount
Certifications	FCC / CE
I/O Ports	
Display	1 x HDMI up to 4K, 1 x DVI-D
USB	3 x USB 3.0
Audio	1 x Line Out / 1 x Mic In
LAN	2 x LAN (PoE IEEE 802.3af optional), Wake-On-LAN, PXE LAN 1: Intel® I210IT LAN 2: Intel® I210IT
Serial Ports	COM 1/2 for RS232/422/485 (selectable under BIOS), RJ/5V/12V selectable by jumper
Storage	1 x 2.5" SATA III HDD or SSD drive space
Expansion Slots	1 x full-sized Mini PCIe (with mSATA or 3G/4G card with USB 2.0 signal) 1 x full-sized Mini PCIe (with PCIe or 3G/4G card with USB 2.0 signal) 1 x SD slot 2 x SIM slot
Antenna Hole	4 x antenna holes
Power On/Off	1 x power button 1 x remote switch
LED	2 x PoE LED
I²C	1 x I²C port
Display	
LCD	10.4" TFT LCD (LED) resolution SVGA 800 x 600
Touchscreen	5-wire resistive touchscreen or projected capacitive touchscreen (USB interface)
Environment	
Operating Temp. (Ambient with airflow)	HDD: 0°C~40°C (32°F~104°F) SSD: 0°C~50°C (32°F~122°F) 0°C~50°C (32°F~122°F) (w/ N3350) Wide-ranged temperature: -20°C~50°C (-4°F~122°F) (w/ E3950)
Storage Temp.	-20°C~80°C (-4°F~176°F)
Humidity	20%~90%

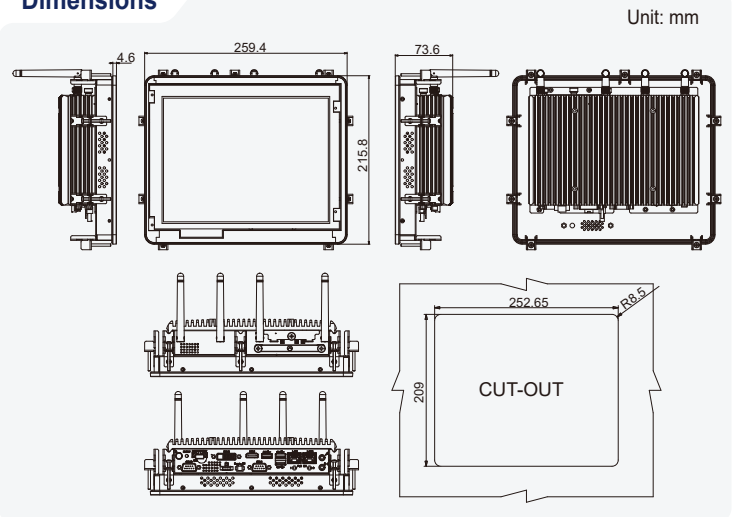
Features

- Intel® Atom® E3950 / Celeron® J3455
- Fanless and quiet design
- HDD easy maintenance
- Three independent displays (HDMI / DVI-D / LVDS)
- Multiple I/O ports (2 x LAN with PoE / 3 x USB 3.0 / 2 x COM / I²C)
- Expansion slot (2 x full-sized Mini PCIe / SD slot / 2 x SIM slot)
- Wide-ranged voltage DC In (9~36V)
- Wide-ranged temperature (w/ E3950)
- Front panel IP65 design
- Aluminum front bezel
- Supports 5-wire resistive touchscreen or projected capacitive touchscreen
- Supports high brightness LCD sunlight readable (optional)
- TPM module (optional)

I/O Connector



Dimensions



Application

- Automation
- Information
- Food Service
- Banking
- Retail



* All information contained in this document is subject to change without prior notice. Please log on www.protech.com.tw to acquire latest information. For detail mechanics drawing, please contact our sales.