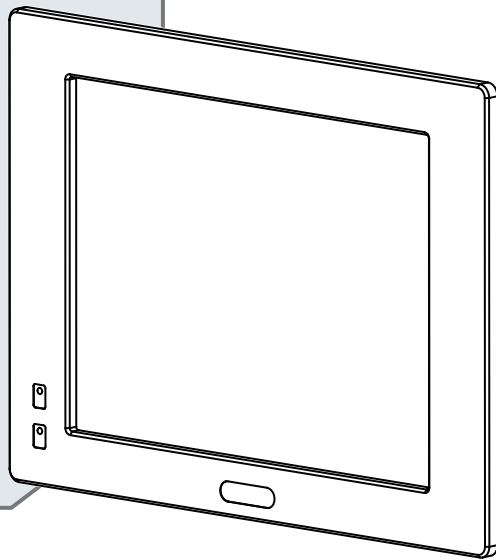


SP-6305/ SP-6307/ SP-6309

Quick Reference Guide



Ver. Q2

All Rights Reserved. Copyright 2013

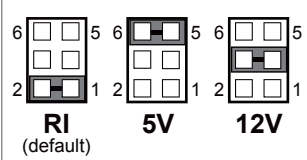
Packing Checklist

If you discover any item below damaged or lost, please contact your vendor.

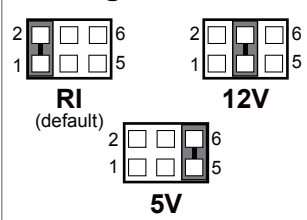
<input checked="" type="checkbox"/> SP-6305/6307/6309	x 1
<input checked="" type="checkbox"/> Driver/Manual CD	x 1
<input checked="" type="checkbox"/> This Quick Reference Guide	x 1
<input checked="" type="checkbox"/> Mini Jumper (2 mm)	x 8
<input checked="" type="checkbox"/> Round Head Screw (35 mm)	x 8
<input checked="" type="checkbox"/> Hex Nuts (3mm)	x 8
<input checked="" type="checkbox"/> M4 Hook	x 8

Jumper Setting

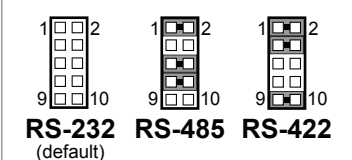
COM2 RI & Voltage Connector



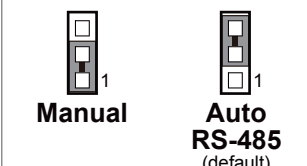
COM1/COM3 RI & Voltage Selection



COM3 RS-232/422/485 Selection



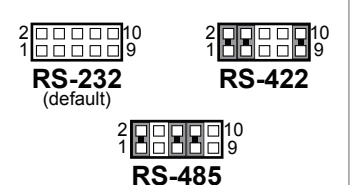
COM3 RS-485 DIR Control Selection



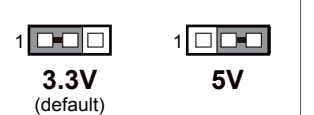
COM2 RS-485 DIR Control Selection



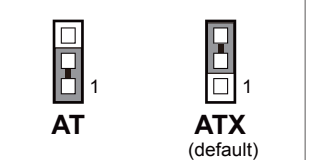
COM2 RS-232/422/485 Selection



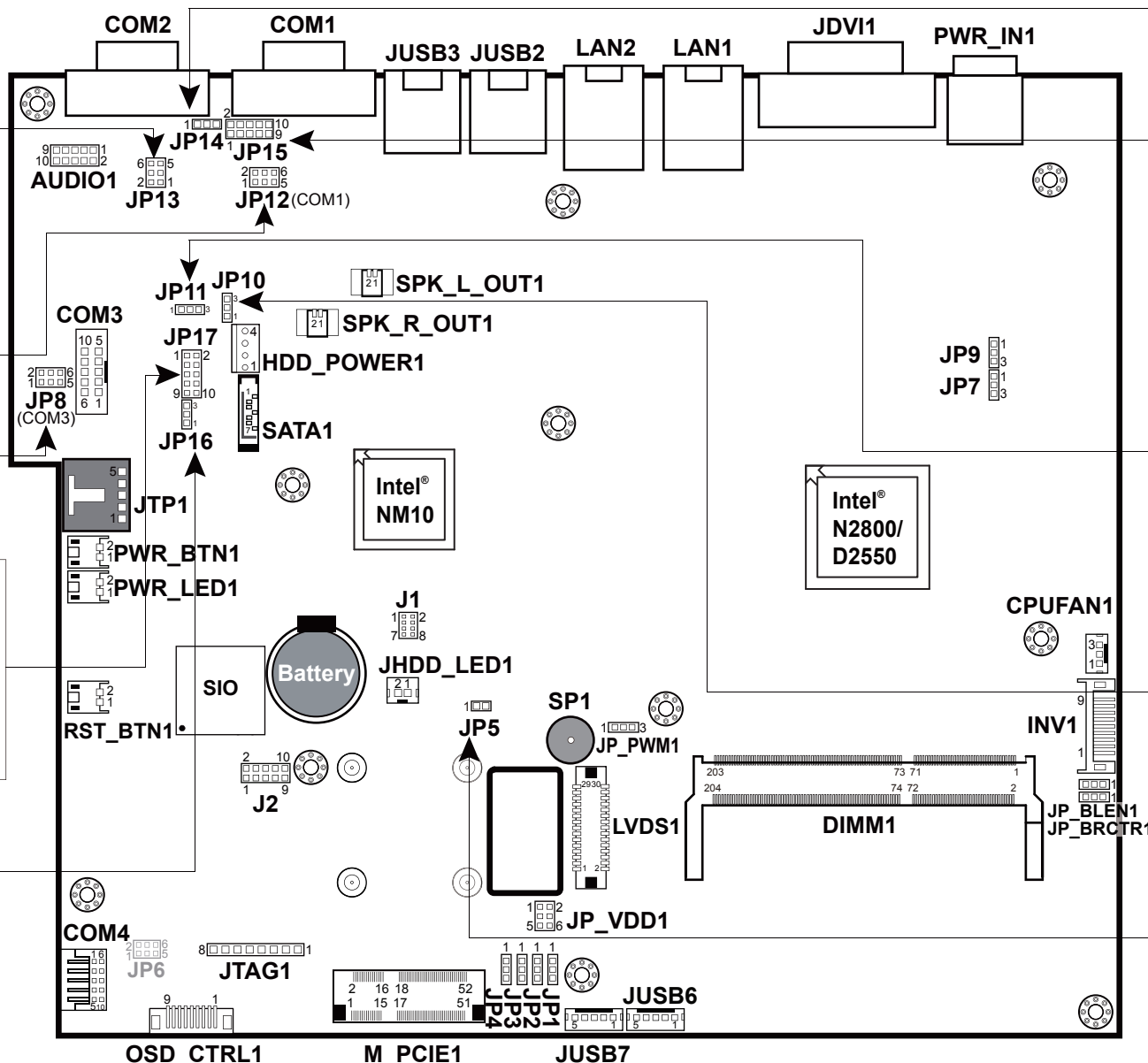
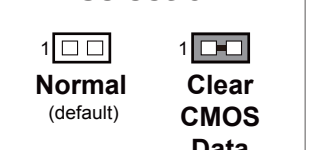
CFAST Voltage Selection



Power Mode Selection



Clear CMOS Data Selection



OSD_CTRL1

M_PCIE1

JUSB7

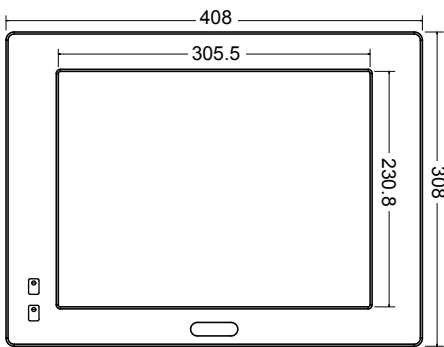
SP-6305/6307/6309

Fanless & Low Power 15"/17"/19" Intel® N2800/D2550 Panel PC

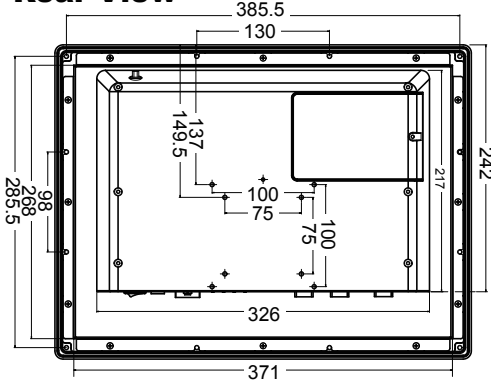
System View

(Take SP-6035 for example.)

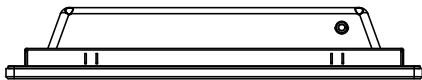
Front View



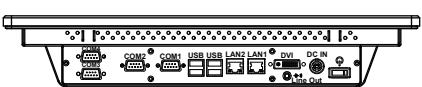
Rear View



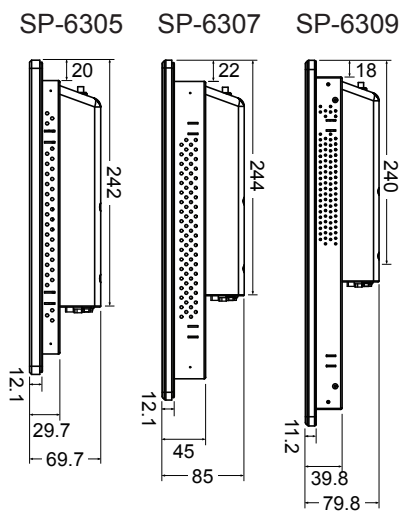
Top View



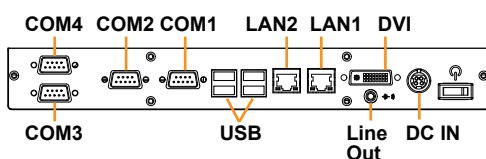
Rear View



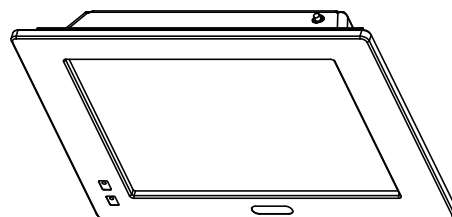
Side View



I/O View



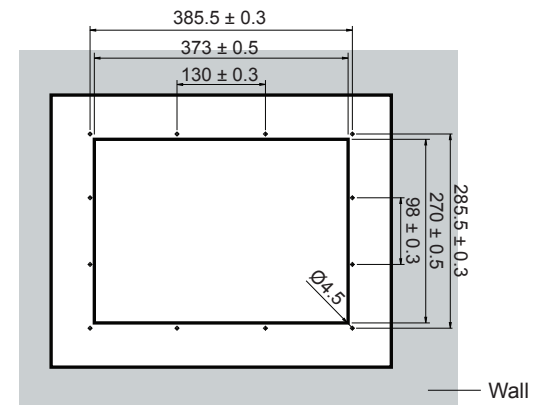
Quarter View



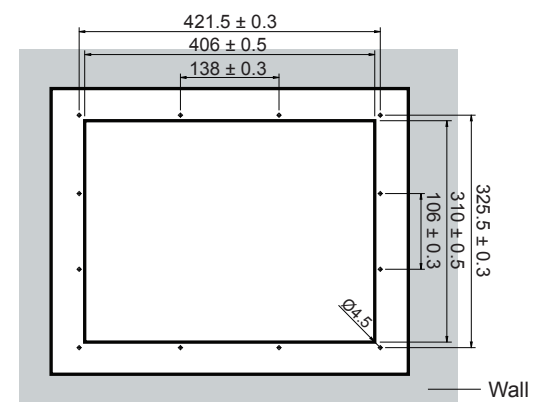
Wall Mount

Cut-out Dimension:
(Unit: mm)

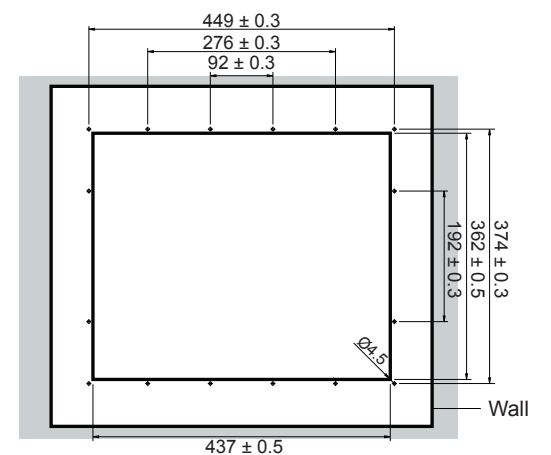
SP-6305



SP-6307



SP-6309



Safety Precaution

The following messages are safety reminders on protecting your system from damages and extending a long life of the system.

1. Check the Cable Voltage

- The range of operating voltage should be between DC 9 ~ 36V. Otherwise, the system could be damaged.

2. Environmental Conditions

- Place your SP-6305/6307/6309 on a sturdy & level surface. Be sure to allow enough space to have easy access around the system.
- Avoid extremely hot or cold place to install the system.
- Avoid exposure to sunlight for a long period of time or in a airtight space. Also, avoid the system from any heating device or using the system when it's been left outdoors in a cold winter day.
- Note that the operating ambient temperature is 0~45°C for HDD & 0~55°C for CFast card.
- Avoid moving the system rapidly from a hot place to a cold one and vice versa because condensation may come from inside of the system.
- Place the system in strong vibrations may cause hard disk failure.
- Do not place the system close to any radio active device in case of signal interference.

3. Handling

- Avoid putting heavy objects on top of the system.
- Do not turn the system upside down. This may cause the floppy drive and hard drive to mal-function.
- If water or other liquid spills into this product, unplug the power cord immediately.

4. Good Care

- When the outside of the case is stained, remove the stain with neutral washing agent with a dry cloth.
- Never use strong agents such as benzene or thinner to clean the system.
- If heavy stains are present, moisten a cloth with diluted neutral washing agent or alcohol, and then wipe thoroughly with a dry cloth.
- If dust has been accumulated on the outside, clean with a special vacuum cleaner made for computers.

CAUTION! Danger of explosion if battery is incorrectly replaced. Replace only with the same or equivalent type recommended by the manufacturer. Dispose of used batteries per the manufacturer's instructions.

WARNING! Some internal parts of the system may have high electrical voltage. Therefore we strongly recommend qualified engineers open and disassemble the system. The LCD and touch screen are easily breakable, please handle them with extra care.