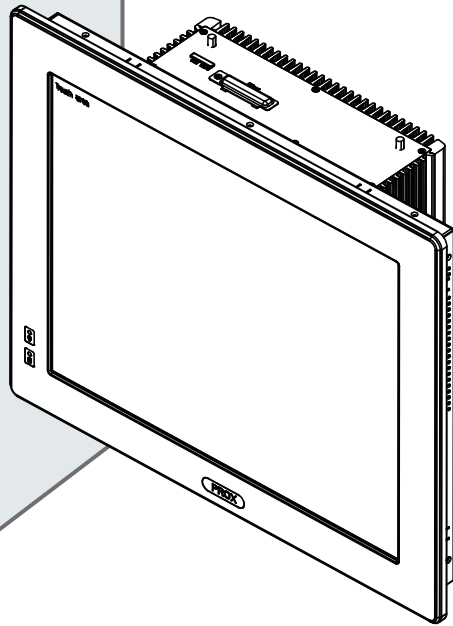


# SP-6205/ SP-6207/ SP-6208/ SP-6209

## Quick Reference Guide



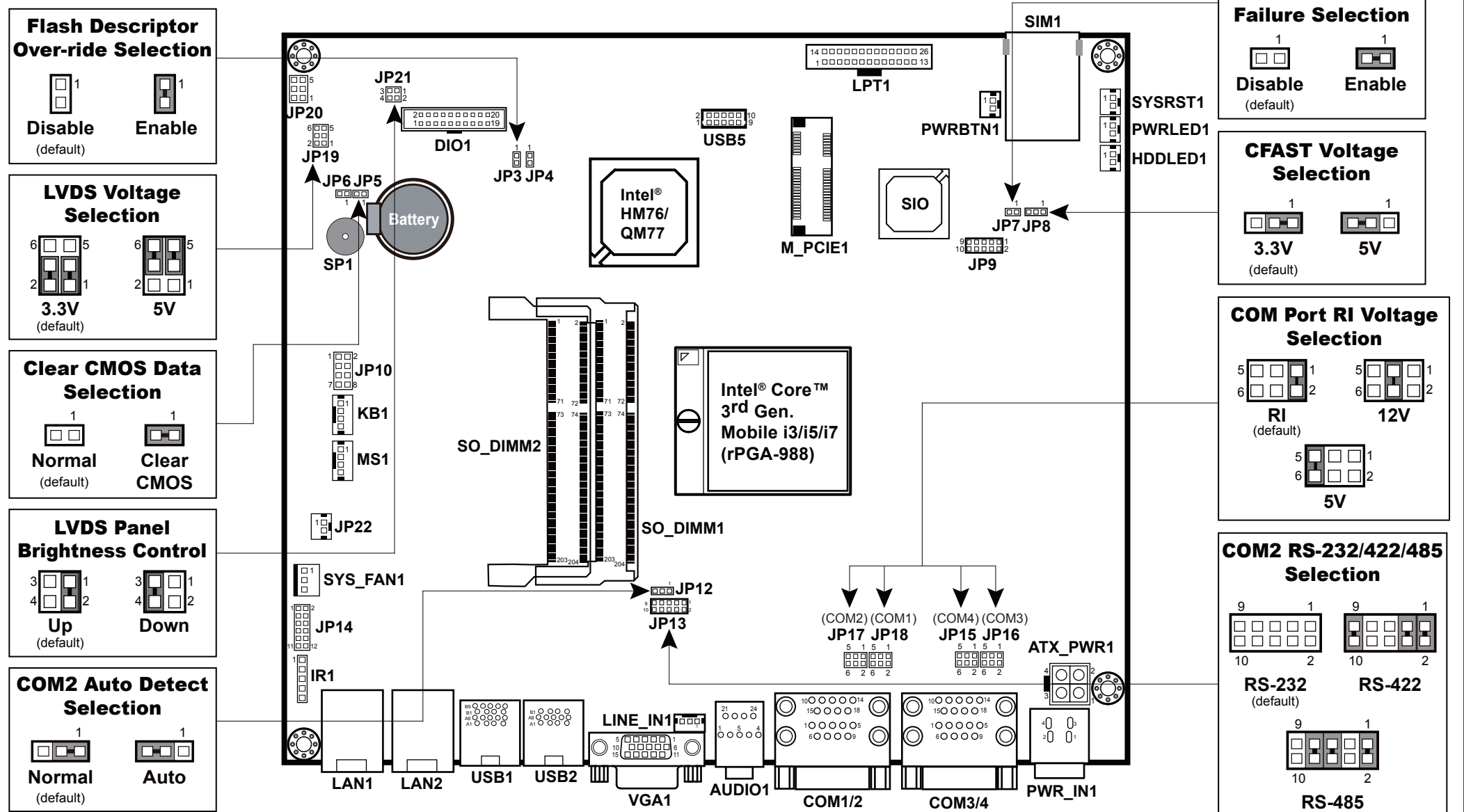
Ver. Q2

All Rights Reserved. Copyright 2014

## Specification

<b>System</b>	
CPU Support	Intel® Core™ 3rd Gen. Mobile i3/i5/i7 (rPGA-988) processor on board
Chipset	Intel® HM76/QM77
OS	Microsoft Windows XP/7
Memory Support	2 x 204pin DDR3 SO-DIMM, support DDR3/DDR3L 1600/1333/1066 up to 8GB/slot
Watchdog	1~255s Watchdog timer
Drive Bay	2 x 2.5" SATA HDD
Power Supply	DC-in 9~36V
Front Bezel	Aluminum
IP65	Front panel only
Mounting Type	VESA 100/Wall Mount
Net Weight & Dimension (WxHxD)	<b>SP-6205:</b> 7.5 kg ; 408 x 308 x 128 mm <b>SP-6207:</b> 9 kg ; 448 x 352 x 139 mm <b>SP-6208:</b> 8 kg ; 486 x 318.5 x 124.5 mm <b>SP-6209:</b> 11.5 kg ; 471 x 396 x 133 mm
Certificate	FCC/CE
<b>I/O Ports</b>	
Serial Port	4 x COM ports (COM1/3/4 for RS-232, COM2 for RS-232/422/485, pin-9 is 5V/12V/RI selectable)
USB	4 x USB 3.0
Parallel Port	1 x DSUB-25
VGA	1 x VGA
LAN	LAN1: Intel® 82579LM (10/100/1000 Mbps) LAN2: Intel® 82583V (10/100/1000 Mbps) Support wake-on-LAN
Audio	High Definition: 1 x Line out, 1 x MIC-in
Digital I/O	DSUB-25, 8in/8out
Expansion slot	1 x Mini-PCIe slot (for WLAN module & 3G module) 1 x SIM card slot 1 x CFAST card slot 1 x PCIe(4x) or 1x PCI, 10W/slot max. (Optional)
<b>Display</b>	
LCD Panel Size & Resolution	<b>SP-6205:</b> 15" ; 1024 x 768 XGA 400nit LED backlight <b>SP-6207:</b> 17" ; 1280 x 1024 SXGA 350nit LED backlight <b>SP-6208:</b> 18.5" ; 1366 x 768 , 300nit LED backlight <b>SP-6209:</b> 19" ; 1280 x 1024 SXGA 300nit LED backlight
Touchscreen	15"/17"/19": (ELO) 5W Analog resistive (USB interface) 18.5": Projected-capacitive Touch (USB interface)
<b>Environment</b>	
Operating Temp.	General: -5 ~ 45°C
(Ambient with Airflow)	CFAST Card (SP-6205/6207, Wide Temp. Grade, w/o audio): -5 ~ 55°C
Storage Temp.	-20 ~ 80°C
Humidity	10 ~ 90%

## Jumper Setting



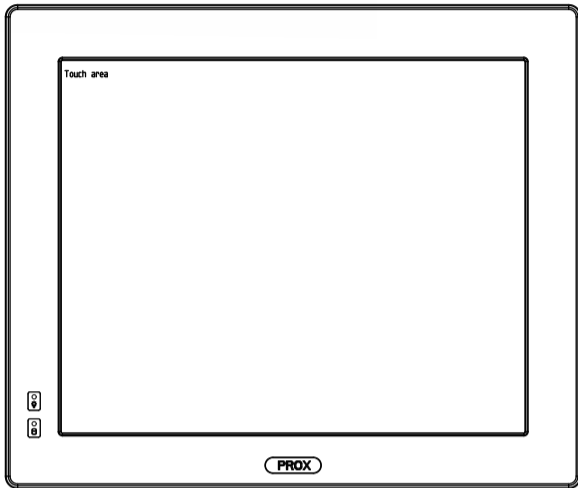
# SP-6205 / 6207 / 6208 / 6209

## 15" / 17" / 18.5" / 19" Fanless Panel PC

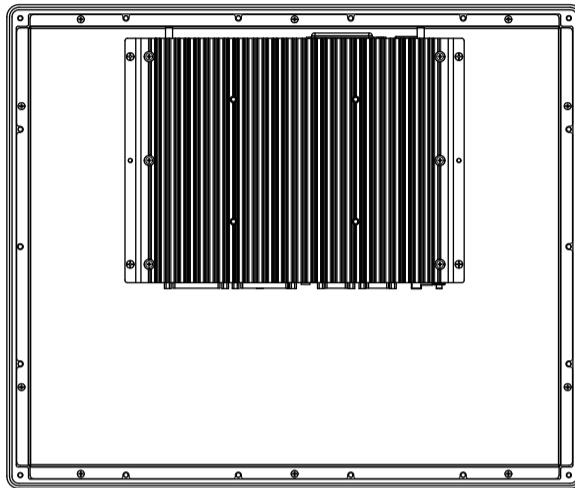
### System View

(Take SP-6209 for example.)

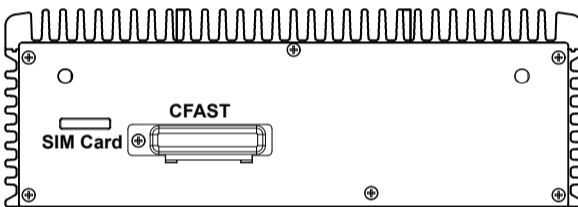
#### Front View



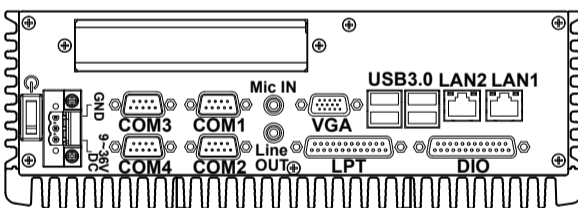
#### Rear View



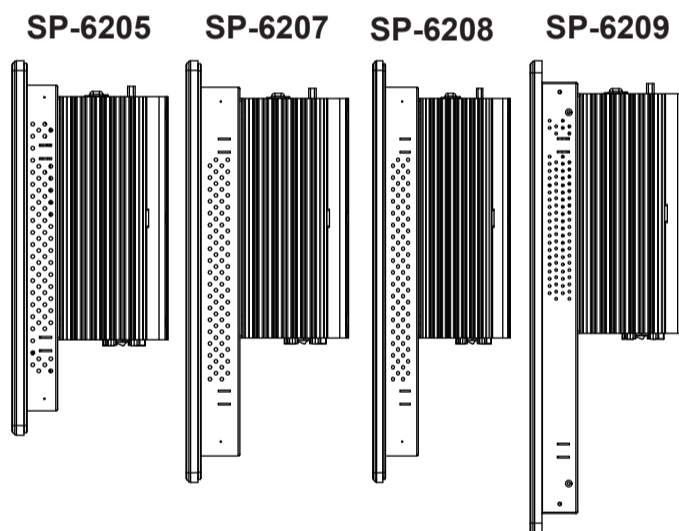
#### I/O View - TOP



#### I/O View - Bottom



#### Side View

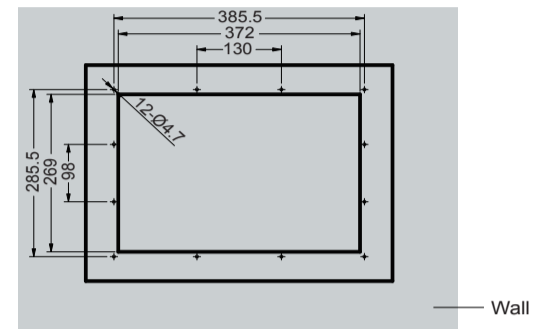


### Wall Mount

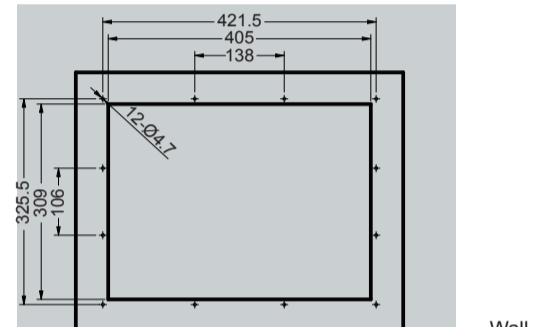
#### Cut-Out Dimension:

(Unit: mm)

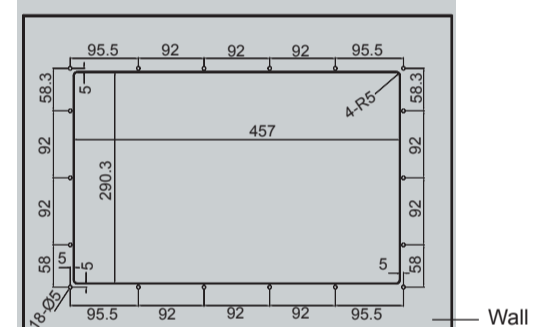
#### SP-6205



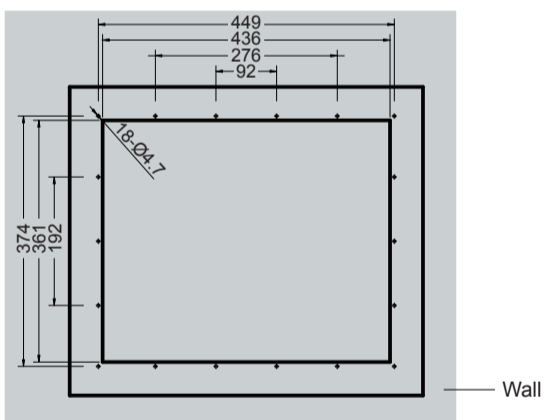
#### SP-6207



#### SP-6208



#### SP-6209



### Safety Precaution

The following messages are safety reminders on protecting your system from damages and extending a long life of the system.

#### 1. Check the Cable Voltage

- The range of operating voltage should be between DC 9V and 36V. Otherwise, the system could be damaged.

#### 2. Environmental Conditions

- Place your SP-6205/6207/6208/6209 on a sturdy & level surface. Be sure to allow enough space to have easy access around the system.
- Avoid extremely hot or cold place to install the system.
- Avoid exposure to sunlight for a long period of time or in a airtight space. Also, avoid the system from any heating device or using SP-6205/6207/6208/6209 when it's been left outdoors in a cold winter day.
- Avoid moving the system rapidly from a hot place to a cold one and vice versa because condensation may come from inside of the system.
- Place SP-6205/6207/6208/6209 in strong vibrations may cause hard disk failure.
- Do not place the system close to any radio active device in case of signal interference.

#### 3. Handling

- Avoid putting heavy objects on top of the system.
- Do not turn the system upside down. This may cause the hard drive to mal-function.
- If water or other liquid spills into this product, unplug the power cord immediately.

#### 4. Good Care

- When the outside of the case is stained, remove the stain with neutral washing agent with a dry cloth.
- Never use strong agents such as benzene or thinner to clean the system.
- If heavy stains are present, moisten a cloth with diluted neutral washing agent or alcohol, and then wipe thoroughly with a dry cloth.
- If dust has been accumulated on the outside, clean with a special vacuum cleaner made for computers.

**CAUTION!** Danger of explosion if battery is incorrectly replaced. Replace only with the same or equivalent type recommended by the manufacturer. Dispose of used batteries per the manufacturer's instructions.

**WARNING!** Some internal parts of the system may have high electrical voltage. Therefore we strongly recommend qualified engineers open and disassemble the system. The LCD and touch screen are easily breakable, please handle them with extra care.