

SP-6140

› Intel® Atom™ E3845 / J1900 Processor Fanless and Low Power 10.4" Panel PC



Features



- Intel® Atom™ E3845 / J1900 processor on board
- Fanless and quiet design
- 2 x GbE LANs, with PoE as option
- 1 x external SD card and 1 x SIM slot
- Optional 3G module
- Optional wireless LAN module
- Supports wide-ranged voltage DC In (12~24V)
- Supports wide-ranged temperature (E3845 only)
- Aluminum front bezel

Specifications



System

CPU Type	Intel® Atom™ E3845 / J1900 processor
Chipset	Intel® SoC
Memory Support	1 x DDR3L SO-DIMM socket (up to 8GB)
Front Bezel	Aluminum
IP65	Yes (for front panel only)
Power Input	DC In 12~24V
Watchdog	1~255 seconds watchdog timer selectable
Operating System	Windows 10 IoT LTSB 2016 / Windows 8.1 / WES 8.1 Industry Pro / Windows 7 / WES7 / Ubuntu 14.04
Dimensions	277.6 x 228.8 x 82 mm (W x H x D)
System Weight	3.5 kg
Mounting Support	Wall mount / VESA 75 / VESA 100
Certifications	FCC / CE

Display

LCD	10.4" TFT LCD (LED) resolution XGA 1024 x 768
Touchscreen	5-wire resistive touchscreen

Applications

- Automation
- Retail
- Information

I/O Ports

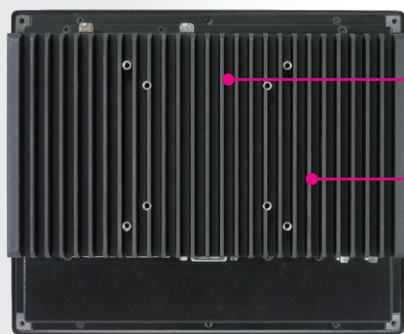
Power Input	1 x 2 pin DC In terminal block, supporting 12~24V DC
Power On/Off	1 x power on/off button
USB	2 x USB 2.0 / 1 x USB 3.0
Audio	1 x Line Out / 1 x Mic In
Serial Ports	4 x COM ports (COM 1/2 with RI/5V/12V by jumper setting) COM 1/2 for RS-232/422/485 (selectable under BIOS) COM 3/4 for RS-232
LAN with PoE	2 x GbE LANs with PoE as option, Wake-On-LAN, PXE LAN 1: Intel® I210IT LAN 2: Intel® I210IT 2 x PoE (IEEE 802.3af), max.15.4W for each port
Display	1 x DVI-I (DVI-D+VGA)
Storage	1 x 2.5" SATA II HDD
Expansion Slots	1 x full-sized Mini PCIe slot (Mini PCIe, USB and SIM signal) 1 x half-sized Mini PCIe slot (Mini PCIe and USB signal)
SD Card Slot	1 x external SD card slot with cover
SIM Card Slot	1 x external SIM card slot with cover (for optional 3G module)

Environment

Operating Temp.	HDD: 0°C~40°C (32°F~104°F) (Ambient with airflow) • Wide temp. storage and peripherals: -20°C~55°C (-4°F~131°F) (without Audio and PoE, for E3845 processor) • Wide temp. storage and peripherals: -20°C~50°C (-4°F~122°F) (with PoE, without Audio, for E3845 processor)
Storage Temp.	-20°C~80°C (-4°F~176°F)
Humidity	20%~90%

* All information contained in this document is subject to change without prior notice. Please log on www.protech.com.tw to acquire latest information. For detail mechanics drawing, please contact our sales.

Highlights



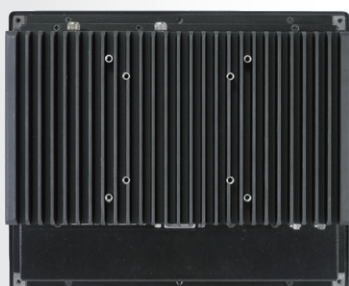
CFast Card Slot



Wi-Fi Module



I/O Panel View



Bird View



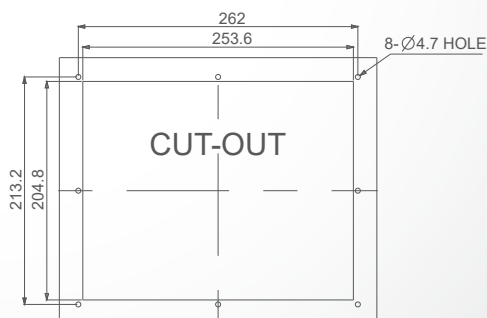
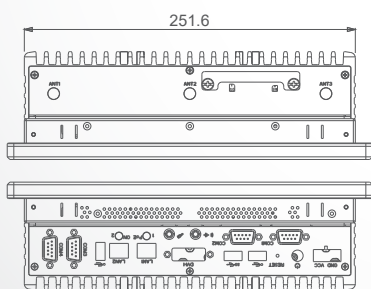
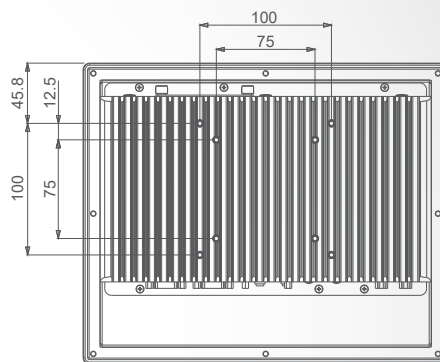
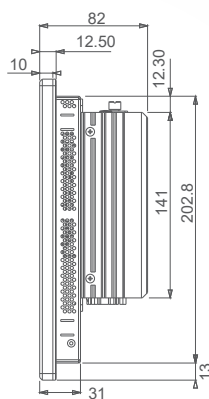
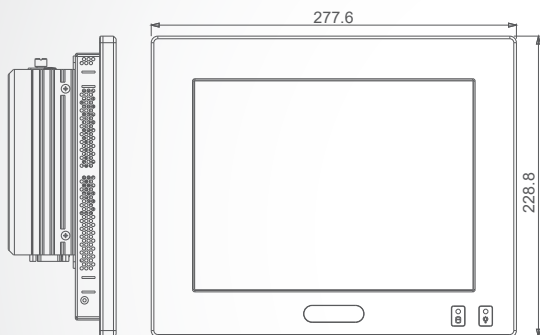
Antenna 1 Antenna 2 Antenna 3

Bottom View



GND VCC COM 2 COM 1 DVI-I PoE1 PoE2 COM 3 COM 4

Dimensions



unit: mm