

SG-S162



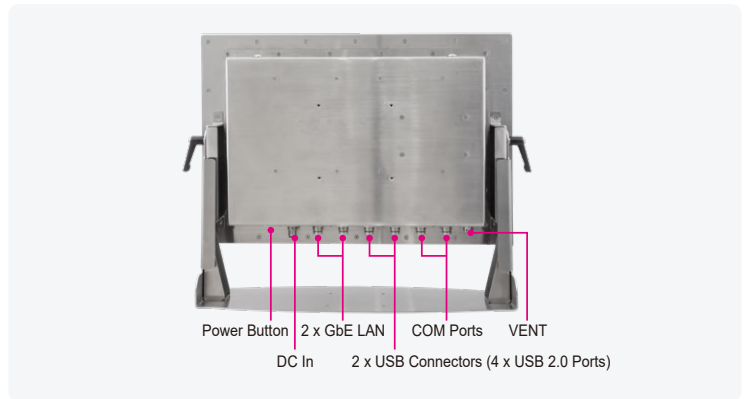
Intel® Celeron® J6412 / Atom® x6425RE Processor Fanless and All-around IP66 / IP69K Stainless 15.6" Panel PC



Features

- Intel® Celeron® J6412/Atom® x6425RE processor on board
- Fanless and quiet design
- Stainless steel SUS304
- All-around IP66/IP69K mechanical design
- M12 waterproof connectors
- Supports 5-wire resistive touchscreen or projected capacitive touchscreen
- Easy Maintenance and key parts installation

I/O Connector



Specifications

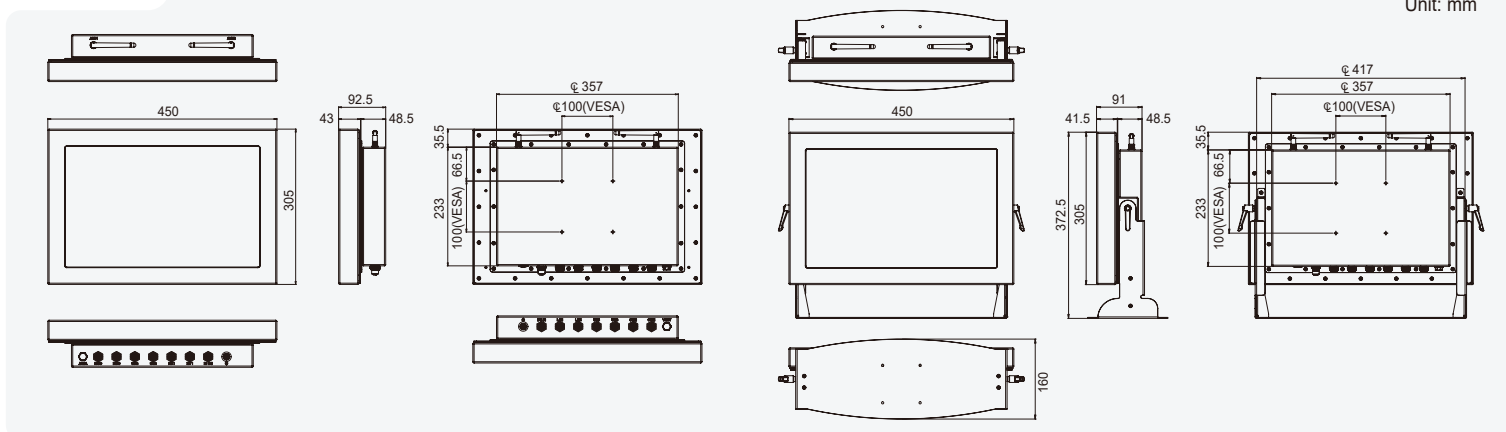
System	
CPU Type	Intel® Celeron® J6412 processor Intel® Atom® x6425RE processor
Chipset	Intel® SoC
Memory Support	1 x DDR4 3200MHz SO-DIMM socket (up to 32 GB) (non-ECC)
Enclosure	Stainless SUS304
IP Rating	IP66/IP69K
Power Input	DC In 12V/24V
Watchdog	1~255 second watchdog timer selectable
Operating System	Windows 10 IoT LTSC 2021, 64 bit, Windows 11
Dimensions (W x H x D)	450 x 305 x 91 mm (w/o Stand) 450 x 327.5 x 160 mm (with Stand)
System Weight	13.2 kg
Mounting Support	Wall mount/VESA 100/Stand/Table
Certification	FCC/CE
I/O Ports	
Power Input	1 x M12 waterproof connector, supporting 12V/24V DC
USB	2 x USB 2.0 waterproof connectors (4 x USB ports)
Serial Ports	2 x COM waterproof connectors COM 1 for RS-232/422/485
LAN	2 x 2.5 GbE LANs with M12 waterproof connector, Intel® I255-IT; supports Wake-On-LAN
Storage	1 x 2.5" SATA III SSD 1 x M.2 slot for NVMe SSD (size 2280, PCIeX2)
Expansion Slot	1 x full-sized Mini PCIe slot
Display	
LCD	15.6" TFT LCD (LED) resolution 1366 x 768
Touchscreen	5-wire resistive touchscreen or projected capacitive touchscreen
Environment	
Operating Temp. (Ambient with airflow)	0°C~50°C (32°F~122°F)
Storage Temp.	-20°C~80°C (-4°F~176°F)
Humidity	20%~90%

Application

- Automation
- Information
- Food Service



Dimensions



Unit: mm

* All information contained in this document is subject to change without prior notice. Please log on www.protech.com.tw to acquire latest information. For detail mechanics drawing, please contact our sales.

Protech Systems Co., Ltd.
No. 24, Lane 365, Yang Kuang Street,
Nei Hu District, Taipei 114, Taiwan
TEL: +886-2-8751-1111
E-mail:sales@protech.com.tw
<https://www.protech.com.tw>

Protech Japan Co., Ltd.
OSK Bldg, 6F, 6-25-14, Minami-ohi
Shinagawa-ku, Tokyo, 140-0013
TEL: +81-3-5753-8411
E-mail:sam@protech-j.com
<http://www.protech-j.com>

Protech Technologies Inc.
950 Fee Ana St, Suite B
Placentia, CA 92870
TEL: +1-714-996-7200
E-mail:sales@protech-usa.net
<http://www.protech-usa.net>

PROX SYSTEMS Germany GmbH
Weststrasse 20a, 40721 Hilden
Düsseldorf, Germany
TEL: +49 (0) 2103-41898-0
E-mail:sales@prox-systems.eu
<http://www.prox-systems.eu>

PROX SYSTEMS SPAIN S.L.
C/ Albasanz 14 Bis, 2ºD
28037 Madrid, Spain
TEL: (+34) 917648559
E-mail:sales@prox-systems.com
<http://www.prox-systems.com>