

# SG-G156

Intel® Core® i5 / i3 Platform Fanless and All-around IP66 15" Panel PC



## Features



- 7th Gen. KabyLake-U CPU (Core® i5-7300U / Core® i3-7100U)
- Bezel-free front panel and seamless touch panel
- All-around IP66 (Powerful water jets)
- Fanless and Quiet design
- VESA 100 Mount / Stand Mount
- Storage easy maintenance design (1 x removable HDD/SSD)
- M12 waterproof I/O Connectors
- 15" True-Flat Panel
- Support up to 6 USB ports  
(2 x USB 3.0 + 4 x USB 2.0 or 6 x USB 2.0) (optional)

## Specifications



### System

CPU Type	Intel® Core® i5-7300U (100°C, 2.60 GHz~3.50 GHz, 15W, 2 of Cores) Intel® Core® i3-7100U (100°C, 2.60 GHz, 15W, 2 of Cores)
Chipset	Intel® SoC
Memory Support	1 x SO-DIMM socket, supporting DDR4 up to 16GB (non-ECC)
Front Bezel	Aluminum / True-Flat
IP Rating	All-around IP66 mechanical design
Power Input	DC In 12V/24V
Watchdog	1~255 second watchdog timer selectable
Operating System	Windows 10 IoT Enterprise 2019 LTSC / LTSB 2016 64bit / Ubuntu 18.04 LTS/16.04 LTS
Dimensions	365 x 279.46 x 99.16 mm (W x H x D)
System Weight	7.2 kg
Storage/Drive Bay	1 x 2.5" removable SATA III HDD or SSD
Mounting Support	Wall mount / VESA 100 / Stand
Certifications	FCC / CE

### Display

LCD	15" TFT LCD (LED) resolution XGA 1024 x 768
Touchscreen	5-wire resistive touchscreen or projected capacitive touchscreen (USB interface)

### Applications

- Automation
- Food Service
- Information

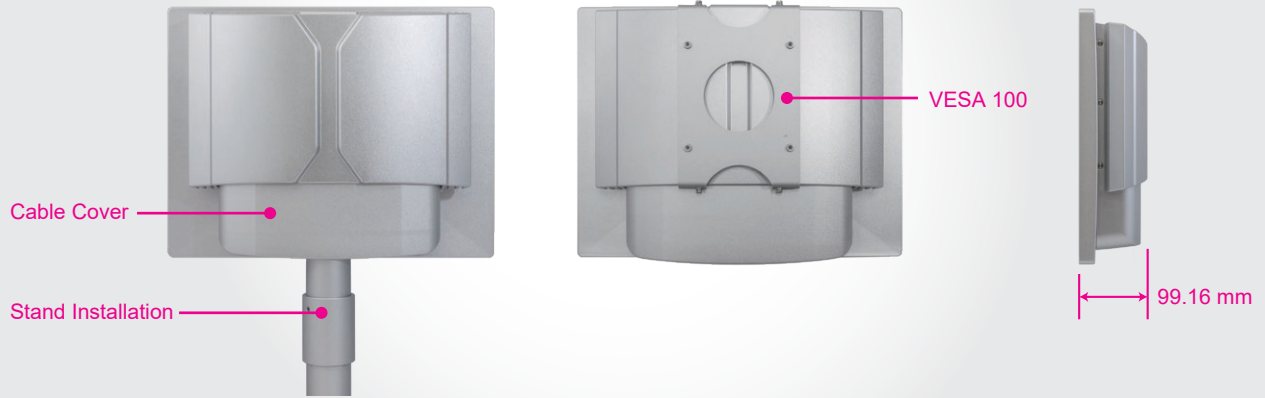
### I/O Ports

Power On/Off	1 x M12 waterproof Power Button on Cable Cover
Power Input	1 x M12 waterproof connector, supporting 12V/24V DC
USB	4 x USB 2.0 with M12 waterproof connector
Serial Ports	1 x COM 2 port with M12 waterproof connector (RS-232/422/485) 1 x COM 1 for RS-232
LAN	2 x GbE LANs (Wake-On-LAN) with M12 waterproof connectors LAN 1: Intel® I219 LM LAN 2: Intel® I211 AT
Storage/Drive Bay	1 x 2.5" removable SATA III HDD or SSD
Expansion Slot	1 x full-sized mSATA slot (with USB or SATA signals) 1 x full-sized mPCIe slot (with SATA/USB or PCIe/USB signals)

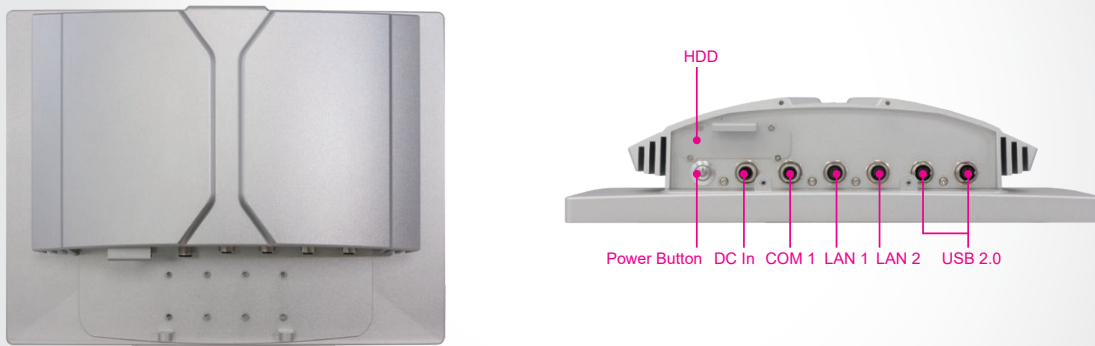
### Environment

Operating Temp. (Ambient with airflow)	HDD: 0°C~40°C (32°F~104°F) SSD: 0°C~50°C (32°F~122°F)
Storage Temp.	-20°C~80°C (-4°F~176°F)
Humidity	20%~90%

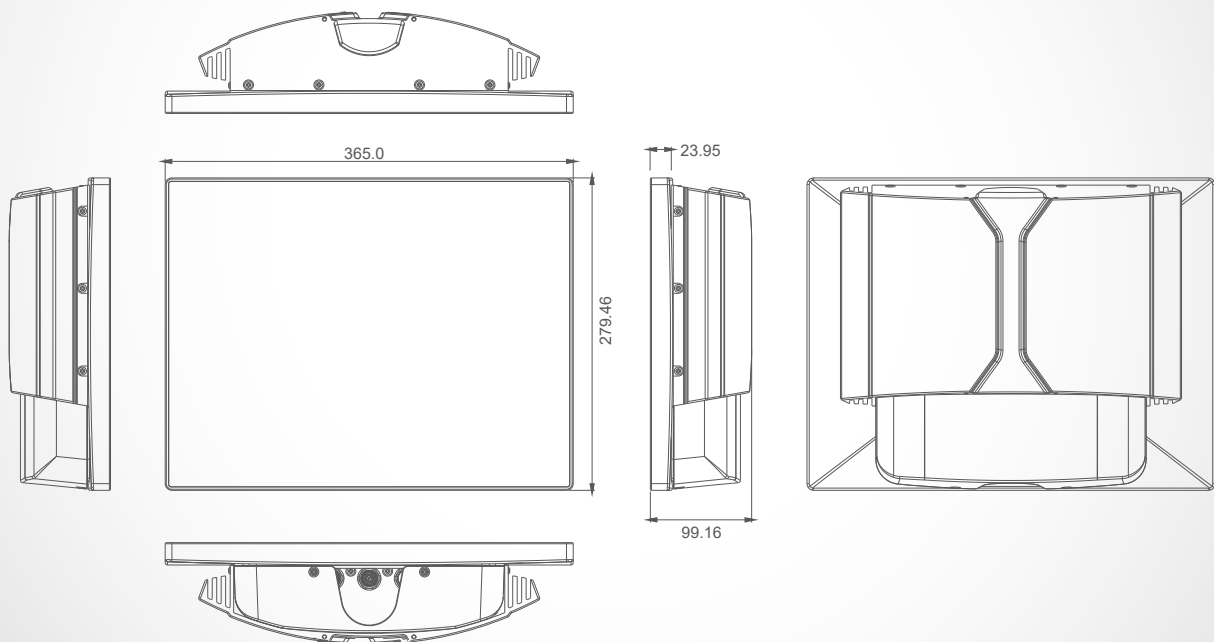
## Highlights



## I/O Panel View



## Dimensions



unit: mm