

SG-G151

› Intel® Atom® x7-E3950 / Celeron® J3455 Processor
Fanless and All-around IP66 15" Panel PC



Features



- Intel® Celeron® J3455 / Atom® x7-E3950 processor on board
- Fanless and quiet design
- All-around IP66 mechanical design
- Stand installation
- HDD easy maintenance design
- M12 waterproof connector

Specifications



System

CPU Type	Intel® Atom® x7-E3950 processor Intel® Celeron® J3455 processor
Chipset	Intel® SoC
Memory Support	1 x DDR3L 1600/1867MHz SO-DIMM socket (up to 8 G) (non-ECC)
Front Bezel	Aluminum
IP66	Yes (all-around)
Power Input	DC In 12 V/24 V
Watchdog	1~255 second w atchdog timer selectable
Operating System	Windows 10 IoT LTSP/Ubuntu 16.04
Dimensions	365 x 279.46 x 99.16 mm (W x H x D)
System Weight	7.2 kg
Mounting Support	Wall mount/VESA 100/Stand
Certifications	FCC/CE

Display

LCD	15" TFT LCD (LED) resolution XGA 1024 x 768
Touchscreen	5-wire resistive touchscreen or projected capacitive touchscreen (USB interface)

Applications

- Automation
- Food Service
- Information

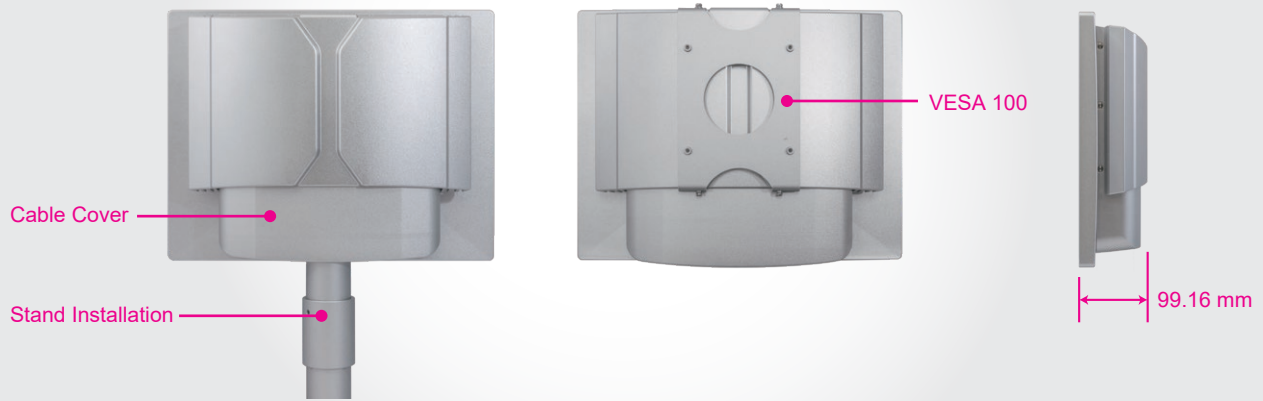
I/O Ports

Power Input	1 x M12 waterproof connector, supporting 12 V/24 V DC
USB	2 x USB 2.0 with M12 waterproof connector (4 x USB 2.0 ports via specific cable)
Serial Port	1 x COM port with M12 waterproof connector COM 1 for RS-232/422/485
LAN	2 x GbE LANs with M12 waterproof connector LAN 1&2: Intel® I210AT
Storage	1 x 2.5" SATA III HDD or SSD
Expansion Slot	1 x full-sized Mini PCIe slot (Mini PCIe and USB signal)

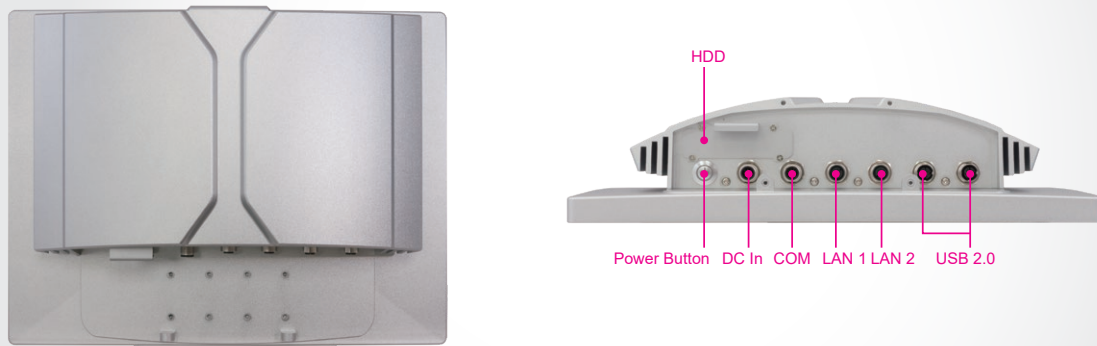
Environment

Operating Temp.	HDD: 0°C~40°C (32°F~104°F) (Ambient with airflow) Wide-ranged temperature: -20°C~55°C (-4°F~131°F) (x7-E3950 only)
Storage Temp.	-20°C~80°C (-4°F~176°F)
Humidity	20%~90%

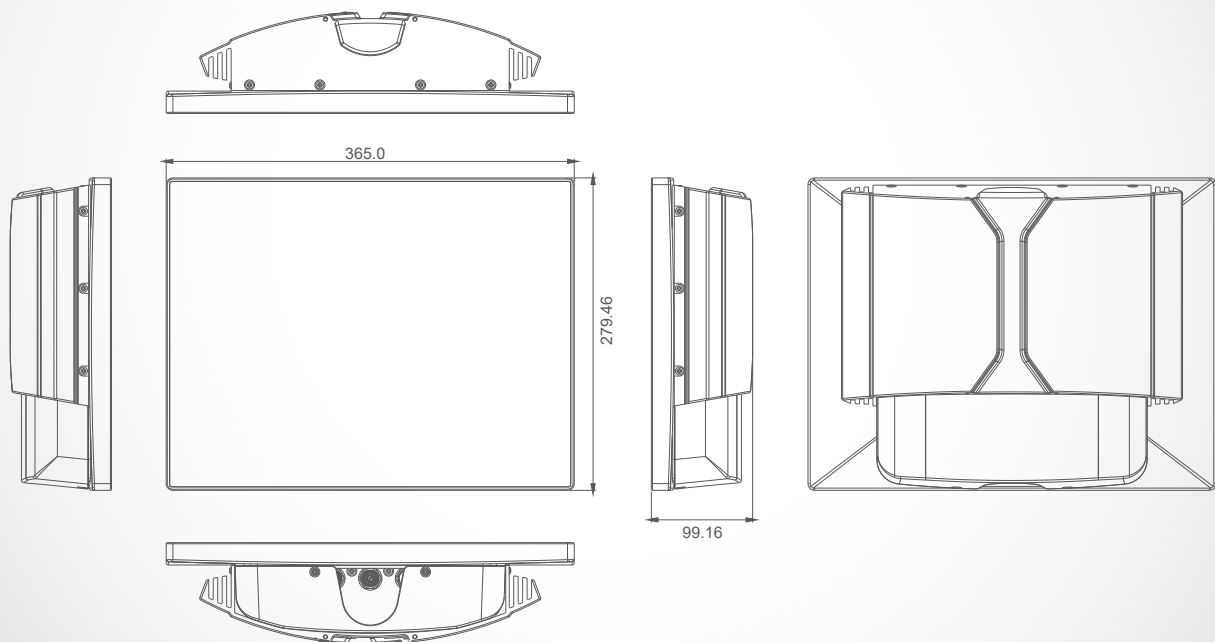
Highlights



I/O Panel View



Dimensions



unit: mm