



Fanless Compact and Flexible I/O Expansion Embedded PC with Intel® 12th Gen. Processor



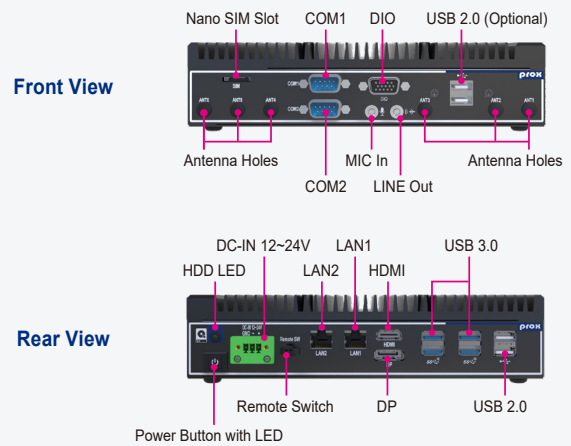
Features

- Intel® 12th Gen. Core™ i7 / i5 / i3 / Celeron® processor
- Triple m.2 sockets for different function expansions
- Max. 8 x USB, 2 x RS232/422/485, 8bit DIO
- Dual 2.5 GbE LAN ports
- Expansion Side I/O for extra COM, DIO, LAN
- Secure platform with TPM 2.0 support
- Wide-ranged voltage DC In 12~24V
- Support remote switch

Specifications

System	
CPU Support	Intel® Core™ i7- 1265UE (15W, 2P+8E, 96EU, vPro) Intel® Core™ i5- 1245UE (15W, 2P+8E, 80EU, vPro) Intel® Core™ i3- 1215UE (15W, 2P+4E, 64EU) Intel® Celeron® 7305E (15W, 1P+4E, 48EU)
Memory Support	1 x DDR5 4800 SO-DIMM sockets (up to 32GB)
Storage	1 x 2.5" SATAIII SSD 1 x M.2 2280-D2-M slot (PCIe Gen4 x 4 signal)
Expansion Slots	1 x M.2 3042-D2-B slot (PCIe and USB 2.0 and SIM signal) 1 x M.2 2230-D2-E slot (PCIe and USB 2.0 signal) 1 x Protech defined Expansion Side I/O for COM, LAN, DIO, USB
Power Input	DC In 12~24V
Mounting	Wall Mount, VESA 75, DIN Rail
System Weight	1.65 kg
Dimensions (W x H x D)	215 x 142.6 x 50 mm
O.S.	Windows 10 LTSC 2021, Windows 11 IoT Enterprise (GAC), Ubuntu 22.04 LTS
Certifications	FCC / CE
I/O Ports (Front Side)	
USB	2 x USB 2.0 (optional)
Serial Ports	2 x D-sub9, RS-232/422/485 selectable via BIOS
Digital I/O	1 x D-sub15, 4-IN/4-OUT, provides 5V and GND
SIM Slot	1 x Nano SIM Slot with Tray
Audio	1 x Mic in phone jack 1 x Line out phone jack
Antenna Hole	6 x Antenna holes
I/O Ports (Rear Side)	
Power Input	1 x 3 pin DC power connector support 12~24V
Display	1 x DP port/4K resolution 1 x HDMI port/4K resolution
LAN	2 x RJ45 2.5GbE LANs
USB	6 x Ports (4 x USB 3.2 Gen2; 2 x USB 2.0)
Power Button	1 x Power Button with LED Indicator
Remote Switch	1 x 2 pin Remote Switch
LED Indicator	1 x HDD LED
Environment	
Operating Temp. (Ambient with airflow)	-20°C~70°C (-4°F~158°F) with W.T. SSD
Storage Temp.	-40°C~85°C (-40°F~185°F)
Humidity	20%~95%
Vibration (Random)	IEC60068-2-64, random, 5G@5~500Hz, 1hr/axis with SSD
Vibration (Operating)	MIL-STD-810H, 514.8 Category 4
Shock (Operating)	MIL-STD-810H, 516.8 Procedure I

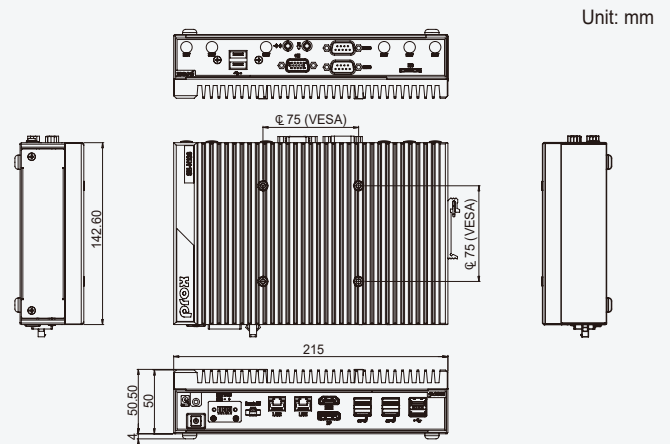
System Front View & Rear View



Optional Side I/O Expansion



Dimensions



Application

- Automation
- Banking
- Medical
- Industry Field
- Traffic Control



* All information contained in this document is subject to change without prior notice. Please log on www.protech.com.tw to acquire latest information. For detail mechanics drawing, please contact our sales.