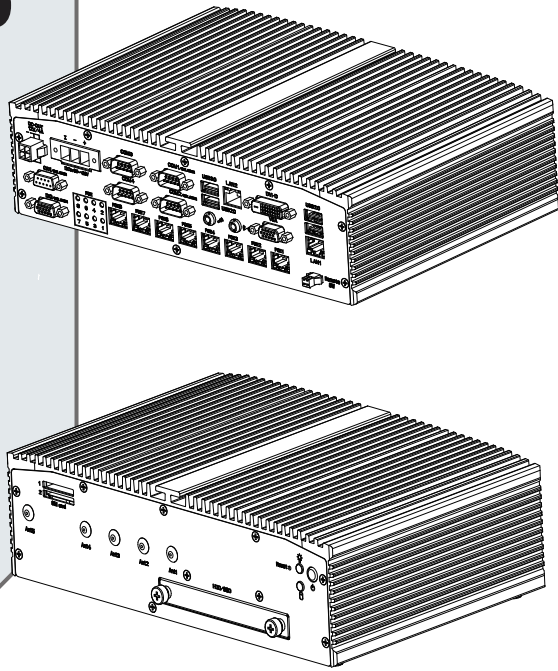


SE-8300

Quick Reference Guide



Ver. Q1

All Rights Reserved. Copyright 2015

Packing Checklist

If you discover any item below are damaged or lost, please contact your vendor immediately.

- SE-8300 x1
- This Quick Reference Guide x1
- Driver/ Manual CD x1
- Power Cable (DC-in 150 mm) x1

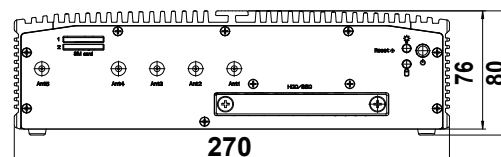
Specifications

System	
CPU Support	Intel® ATOM™ E3845 CPU on board (Quad core 1.91GHz)
Memory Support	1 x DDR3L SO-DIMM socket up to 8GB memory
Watchdog	1~255 seconds Watchdog timer selectable
Driver Bay	1 x 2.5 inch SATA HDD or SSD driver space
Power Input	DC-in 9~36V (with ignition)
Operating System	Microsoft Windows Win7, Win8
Expansion Slots	1 x mSATA slot 1 x full-sized mini-PCIe slot1 (mini-PCIe and SIM signals) 1 x full-sized mini-PCIe slot2 (mini-PCIe and USB signals) 1 x full-sized mini-PCIe slot3 (USB and SIM signals) 2 x SIM card slots
System Weight	3.5 Kg
Dimensions (WxHxD)	270 x 80 x 202.5 mm
Certificate	FCC / CE / E13 Mark
I/O Ports (Front Side)	
Antenna Hole	5 x antenna hole
Driver Bay	1 x 2.5 inch SATA HDD or SSD driver space
SIM Card Slots	2 x SIM card slots Signals from full-sized mini-PCIe slot1 Signals from full-sized mini-PCIe slot3
LED Indicators	
Power ON/OFF	1 x Power LED, 1 x HDD LED 1 x Power ON/OFF button
I/O Ports (Rear Side)	
Serial Port	COM1/2 for RS232/422/485 with isolated (5KVrms), COM3/4 for RS232 and 5V/12V selectable
DVI	1 x DVI-D
VGA	1 x VGA
LAN	2 x GbE LAN, Wake-On-LAN, PXE
Audio	1 x Line out, 1 x MIC
USB	1 x USB 3.0, 3 x USB 2.0
CAN Bus	1 x CAN Bus with isolated (5KVrms)
Digital I/O	4 in / 4 out with isolated (5KVrms)
PoE	8 x PoE (IEEE 802.3af) ports, Max. 15.4W each port
Power Output	1 x 12V(4A) DC out
Power ON/OFF	1 x Remote Switch
Environment	
Operating Temp. (with Airflow)	HDD: 0°C ~45°C (32°F~113°F) Wide temp. mSATA: -30°C ~ 60°C (-22°F~139°F) (without Audio)
Storage Temp.	- 40°C ~ 60°C (- 40°F~139°F)
Humidity	20% ~ 90%

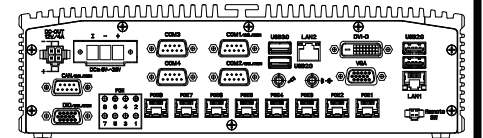
* All information contained in this document is subject to change without prior notice.
Please visit www.protech.com.tw to download the latest information.
Please contact our sales for detailed mechanics drawings.

System View

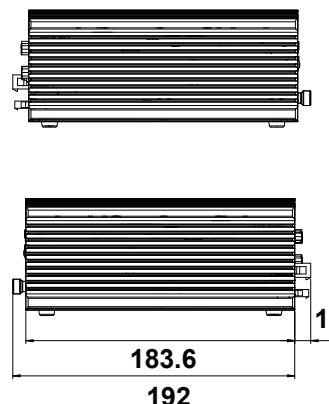
Front View



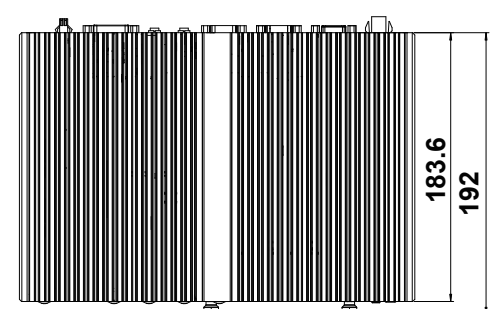
Rear View



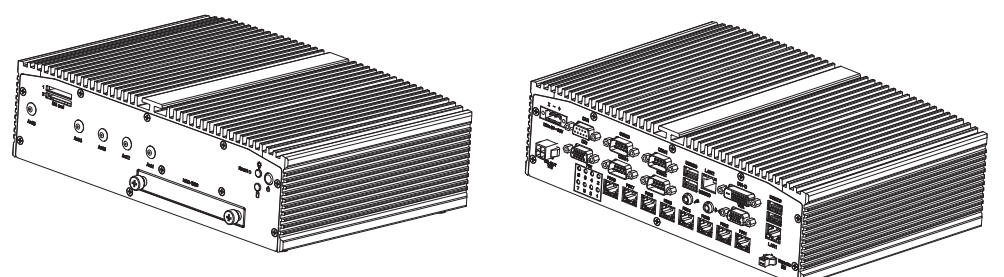
Side View



Top View



Isometric View



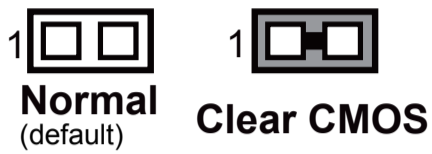
Measuring Unit: mm

SE-8300

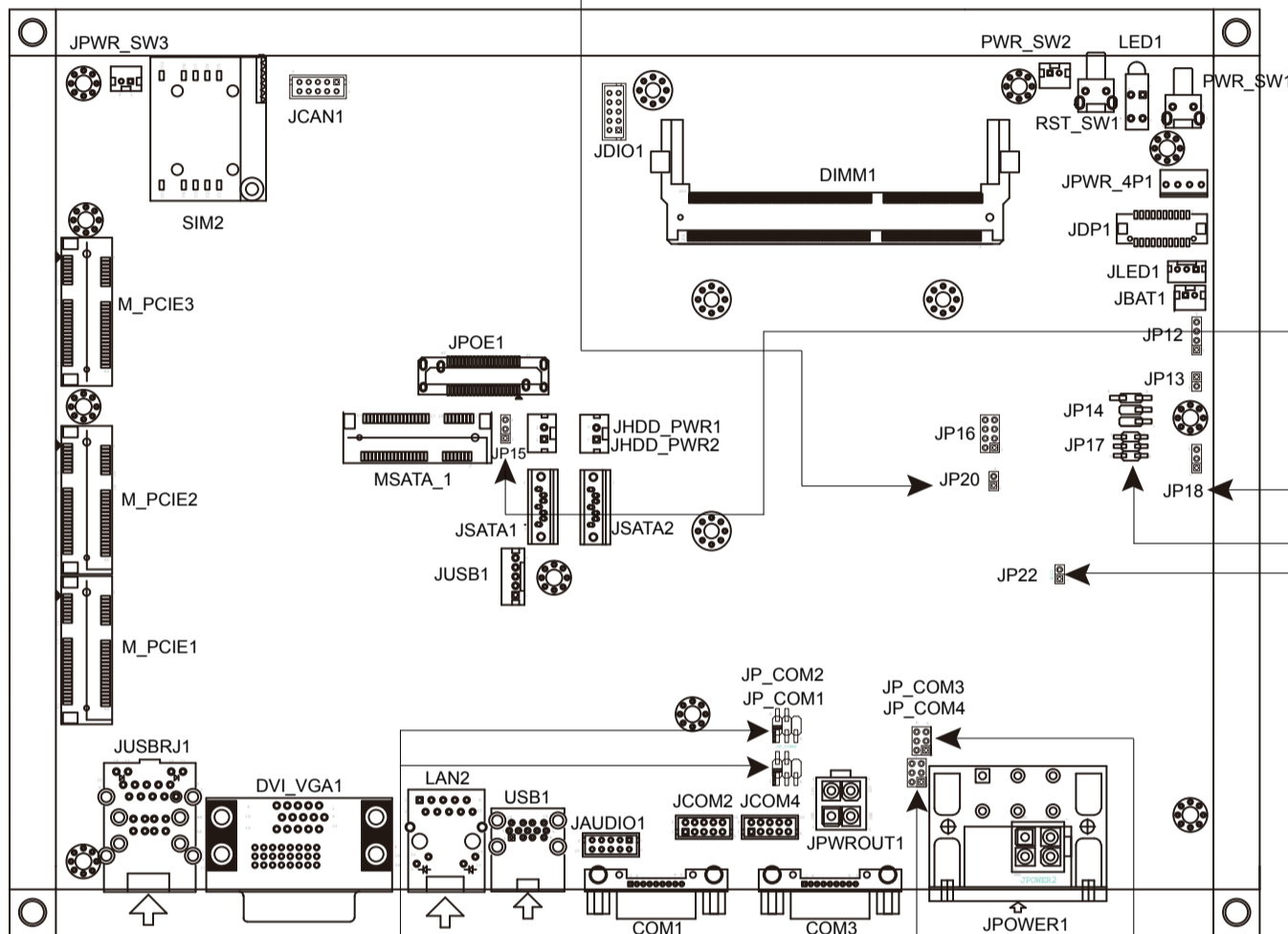
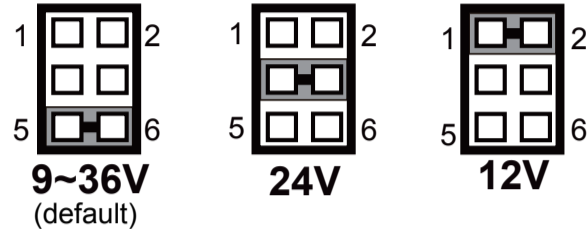
Intel® ATOM™ E3845 Rich I/O and Fanless Embedded PC

Jumper Setting

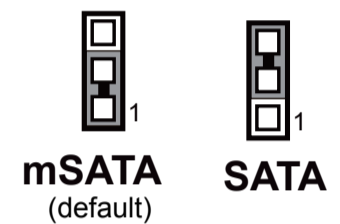
Clear CMOS Data Selection



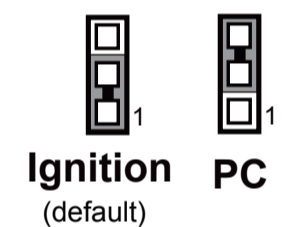
Power Management Voltage Selection



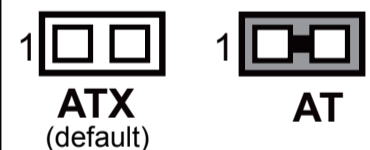
SATA/mSATA Selection



Ignition/PC Mode Selection



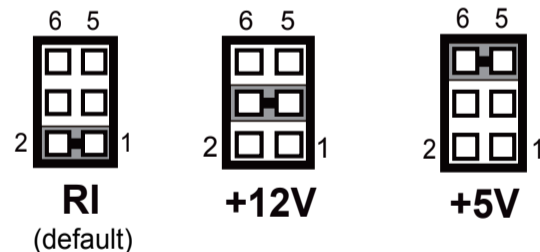
HW AT/ATX Mode Selection



COM1/2 RS232/422/485 Selection



COM3/4 Port RI Voltage Selection



Safety Precaution

The following messages are safety reminders on how to protect your system from damages, thus helping you extend the life cycle of the system.

1. Check the Line Voltage
 - The operating voltage for the power supply should cover the range of 9V~36V DC; otherwise, the system may be damaged.
2. Environmental Conditions
 - Place your SE-8300 on a sturdy, level surface. Be sure to allow enough room on each side to have easy access.
 - Avoid moving the system rapidly from a hot place to a cold place or vice versa because condensation may come from inside of the system.
 - Place SE-8300 against strong vibrations, which may cause hard disk failure.

CAUTION!

Danger of explosion if battery is incorrectly replaced. Replace the battery only with the same or equivalent type recommended by the manufacturer. Dispose of used batteries according to the manufacturer's instructions.

3. Handling
 - Do not turn the system upside down. This may cause the hard drive to malfunction.
 - Do not allow foreign objects to fall into this product.
 - If water or other liquid spills into this product, unplug the power cord immediately.
4. Good Care
 - When the surface of the case is stained, remove the stain with neutral washing agent with a dry cloth.
 - If dust has been accumulated on the surface, remove it by using a special vacuum cleaner for computer.

WARNING!

Some internal parts of the system may have high electrical voltage. Therefore, we strongly recommend qualified engineers open and disassemble the system.