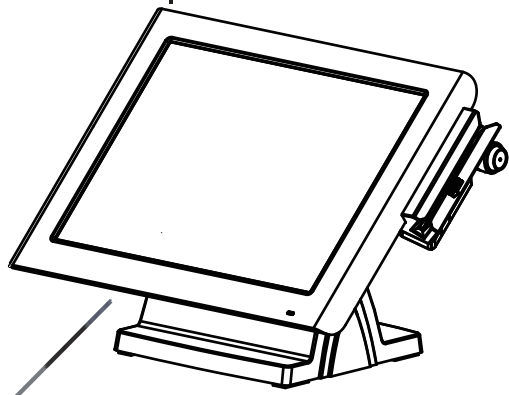


PA-J670

Quick Reference Guide



Ver. Q1

All Rights Reserved. Copyright 2020

Packing Checklist

If you discover any item below was damaged or lost, please contact your vendor immediately.

- | | |
|--|-----|
| <input checked="" type="checkbox"/> PA-J670 | X 1 |
| <input checked="" type="checkbox"/> This Quick Reference Guide | X 1 |
| <input checked="" type="checkbox"/> Power Adaptor | X 1 |
| <input checked="" type="checkbox"/> AC Power Cord | X 1 |
| <input checked="" type="checkbox"/> Driver DVD | X 1 |
| <input type="checkbox"/> Option | X 1 |

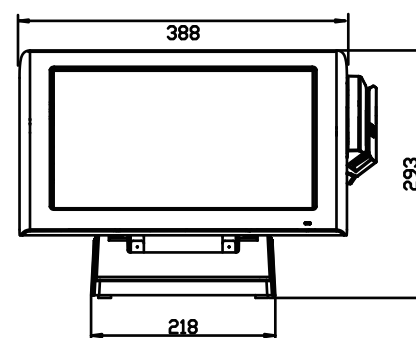
Specifications

| | | |
|--------------|--------------------------------------|---|
| System | CPU Support | Intel® Celeron J3455 CPU |
| | Memory | 1 x DDR3L SO-DIMM (up to 8GB) |
| | Network | Gigabit 10/100/1000 Base-T Fast Ethernet |
| | Power Supply | 60/90 watt power adaptor |
| | Audio | 2W speaker |
| | System Weight | 5.21kg |
| | Dimensions (W x H x D) | 388 x 293 x 269mm (45 degree) |
| | Viewing Angle | 0-70 degree |
| O.S. Support | Win 10 IoT Ent 2019 LTSC / 2016 LTSB | |
| Storage | SATA | 1 x 2.5" HDD or SSD 1 x M.2 2242 (SATAIII interface) |
| I/O Ports | USB | on rear: 2 x USB 2.0 / 2 x USB 3.0 on side bezel: 1 x USB 2.0 (optional) |
| | Serial Ports | COM x 3+1(optional), RJ50 connector (support RI/5V/12V) COM1/2 support RI /5V /12V selectable under BIOS |
| | LAN | 1 x RJ45 |
| | VGA | 1 x DB15 |
| | HDMI | 1 x HDMI |
| | Audio | 1 x Mic In, 1 x Line Out |
| | Cash Drawer | 1 x RJ12 (+12V or +24V selectable) |
| | HDD Slot | 1 x HDD maintenance slot |
| | DC In | 1 x 4pin DC power jack |
| | DC Out | 1 x 12Vdc out (3-pin) for 2nd display (optional) |
| Add-ons | Customer Display | VFD, 20 columns and 2 lines, each column is 5 x 7 dots |
| | Printer | 2" or 3" easy loading thermal printer with auto-cutter |
| | Fingerprint | 8-bit grayscale reader |
| | MSR & iButton | JIS I or II, ISO Track1+2+3 |
| | 2 nd Display | Hang on back 8", 10.4", 15" LCD / Standalone: 15" LCD |
| Display | LCD | 15" TFT LCD |
| | Max. Resolution | 1024 x 768 |
| | Brightness | 300 cd/m ² |
| | Touchscreen | Bezel-free 5-wire analog resistive or projected capacitive |
| Environment | EMC & Safety | CE / FCC |
| | Temp. | Operating: 0°C ~ 35°C / Storage: -5°C ~ 60°C |
| | Humidity | 20% ~ 90% |

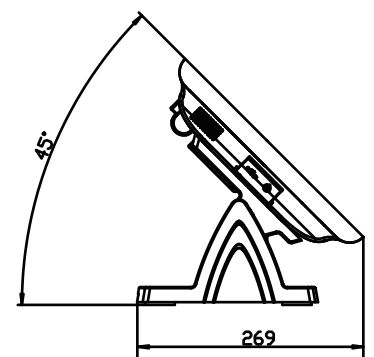
System View

Unit: mm

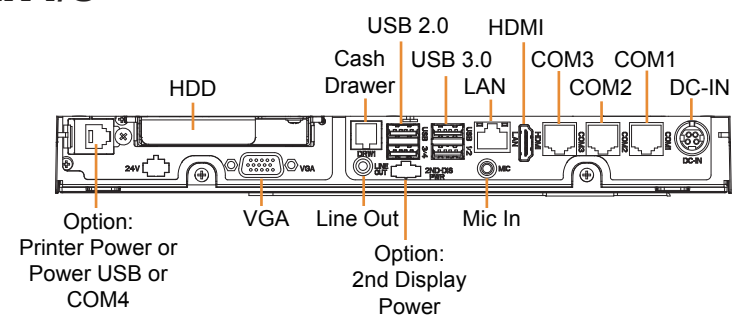
Front View



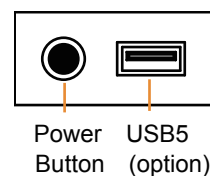
Side View



REAR I/O



SIDE I/O

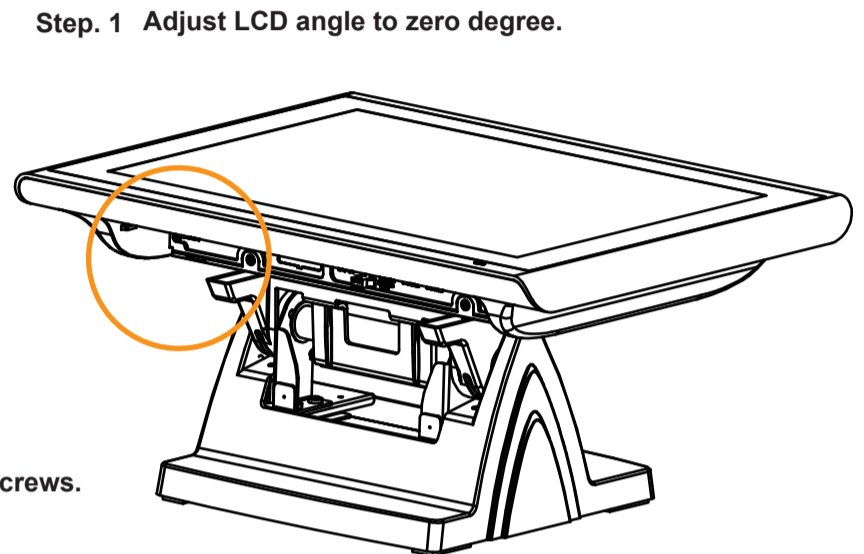
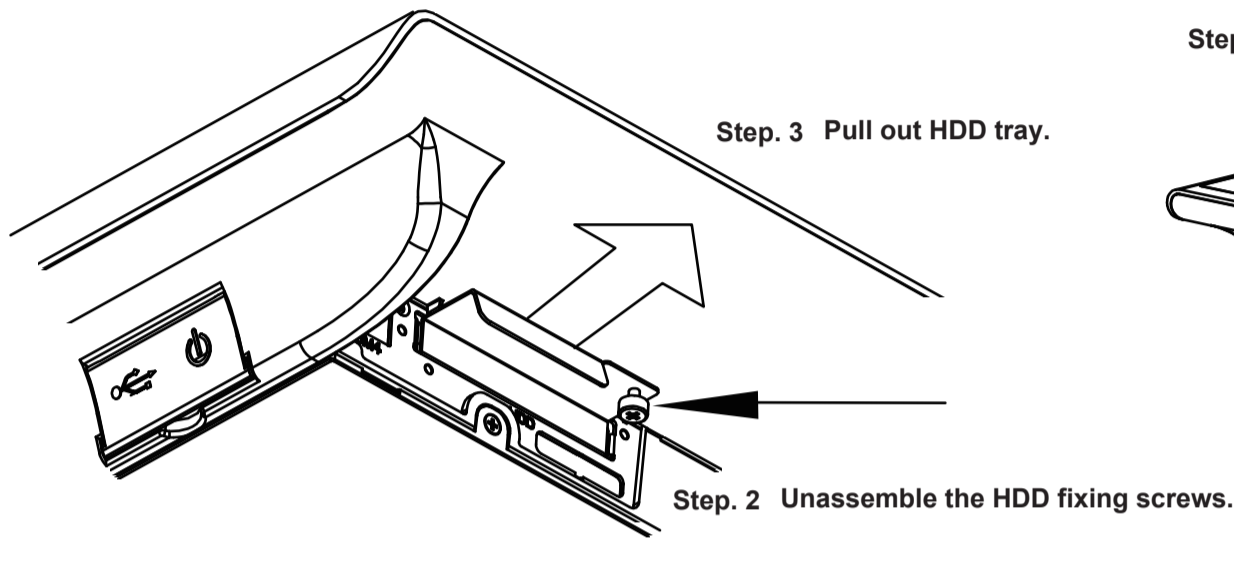


PA-J670

15" Fanless POS Terminal with Intel® Celeron J3455

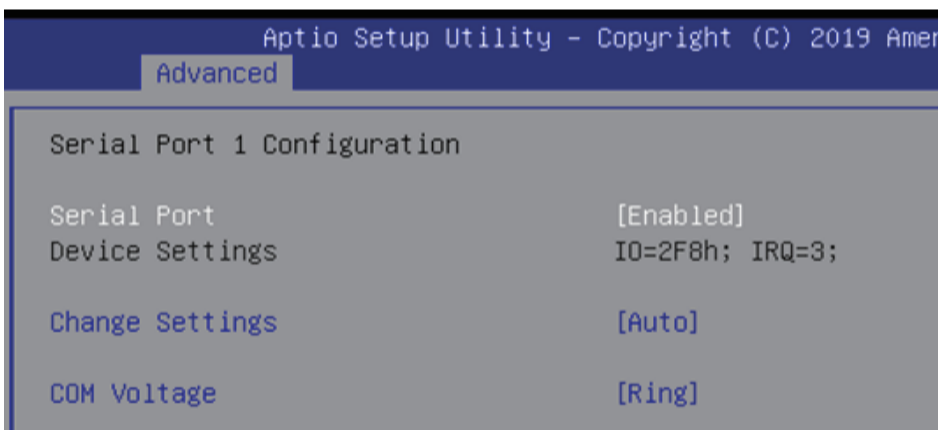
Easy Maintenance

HDD Maintenance



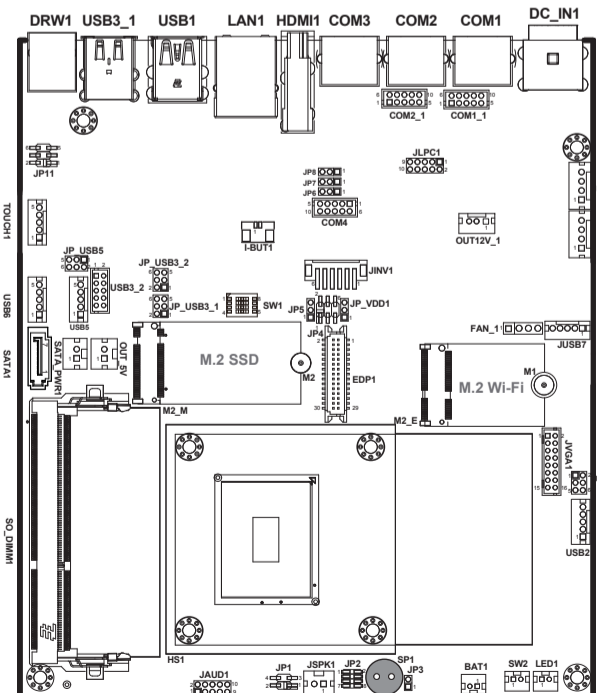
COM Port Voltage Selection

Voltage of external "COM1" & "COM2" ports are made to control on BIOS for your convenience.



| BIOS Setting | Options | Description |
|--------------|--------------------------|---------------------------------------|
| COM Voltage | -Disabled -12V -5V | Disable or select COM1 Voltage 12V/5V |

M/B: PB-A900



CAUTION! Danger of explosion may occur if the battery is replaced incorrectly. Replace batteries only with the same or equivalent type recommended by the manufacturer. Dispose the used batteries according to the manufacturer's instructions.

Safety Precaution

The following messages are safety reminders on how to protect your system from damages, and extend the life cycle of the system.

1. Check the Line Voltage

- Make sure the operating voltage range is between 100V and 240V AC; otherwise, the system could be damaged.

2. Environmental Conditions

- Place your PA-J670 on a sturdy, level surface. Be sure to allow enough space around the system to have easy access needs.
- Avoid installing the system in extremely hot or cold places.
- Avoid exposure to sunlight for a long period of time or in an airtight room.
- Also, avoid the system from any heating device or using the PA-J670 when it has been left outdoors in a cold winter day.
- Bear in mind that the operating ambient temperature is between 0°C and 35°C (32°F~ 95°F).
- Avoid moving the system rapidly from a hot place to a cold place, and vice versa, because condensation may occur inside the system.
- Operate the PA-J670 in strong vibration may cause hard disk failure.
- Do not place the system too close to any radio-active device. Radio-active device may cause signal interference.
- Always shut down the operating system before turning off the power.

3. Handling

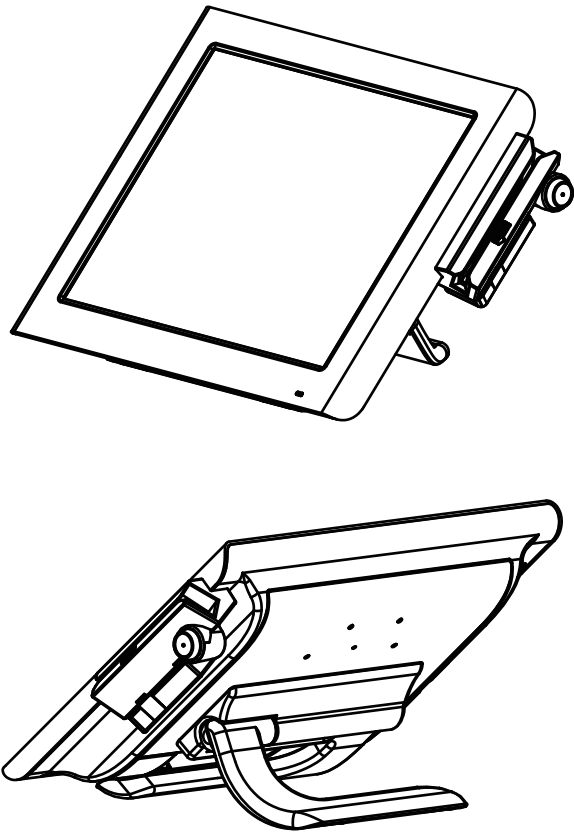
- Avoid placing heavy objects on the top of the system.
- Do not turn the system upside down. This may cause the hard drive to malfunction.
- Do not allow any objects to fall into this product.
- If water or other liquid spills into this product, unplug the power cord immediately.

4. Good Care

- When the outside case gets stained, remove the stains using neutral washing agent with a dry cloth.
- Never use strong agents such as benzene and thinner to clean the surface of the case.
- If heavy stains are present, moisten a cloth with diluted neutral washing agent or alcohol and then wipe thoroughly with a dry cloth.
- If dust is accumulated on the case surface, remove it using a special vacuum cleaner for computers.
- Do not replace the motherboard battery by yourself, or serious damage may occur.

PA-J670

Quick Reference Guide



Ver. Q1

All Rights Reserved. Copyright 2020

Packing Checklist

If you discover any item below was damaged or lost, please contact your vendor immediately.

| | |
|--|-----|
| <input checked="" type="checkbox"/> PA-J670 | X 1 |
| <input checked="" type="checkbox"/> This Quick Reference Guide | X 1 |
| <input checked="" type="checkbox"/> Power Adaptor | X 1 |
| <input checked="" type="checkbox"/> AC Power Cord | X 1 |
| <input checked="" type="checkbox"/> Driver DVD | X 1 |
| <input type="checkbox"/> Option | X 1 |

PA-J670

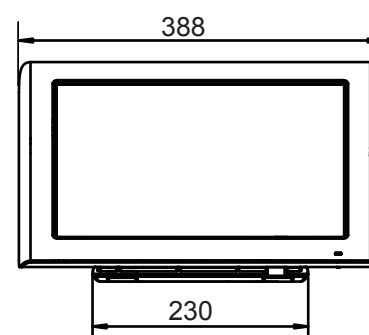
Specifications

| | | |
|--------------|--------------------------------------|---|
| System | CPU Support | Intel® Celeron J3455 CPU |
| | Memory | 1 x DDR3L SO-DIMM (up to 8GB) |
| | Network | Gigabit 10/100/1000 Base-T Fast Ethernet |
| | Power Supply | 60/90 watt power adaptor |
| | Audio | 2W speaker |
| | System Weight | 4.7kg |
| | Dimensions (W x H x D) | POS type: 388 x 234 x 223mm (45 degree) PPC type: 388 x 300 x 93.2mm (with power adaptor holder) |
| | Viewing Angle | 30-50 degree |
| O.S. Support | Win 10 IoT Ent 2019 LTSC / 2016 LTSB | |
| Storage | SATA | 1 x 2.5" HDD or SSD 1 x M.2 2242 (SATAIII interface) |
| I/O Ports | USB | on rear: 2 x USB 2.0 / 2 x USB 3.0 on side bezel: 1 x USB 2.0 (optional) |
| | Serial Ports | COM x 3+1(optional), RJ50 connector (support RI/5V/12V) COM1/2 support RI /5V /12V selectable under BIOS |
| | LAN | 1 x RJ45 |
| | VGA | 1 x DB15 |
| | HDMI | 1 x HDMI |
| | Audio | 1 x Mic In, 1 x Line Out |
| | Cash Drawer | 1 x RJ12 (+12V or +24V selectable) |
| | HDD Slot | 1 x HDD maintenance slot |
| | DC In | 1 x 4pin DC power jack |
| | DC Out | 1 x 12Vdc out (3-pin) for 2nd display (optional) |
| Add-ons | Customer Display | VFD, 20 columns and 2 lines, each column is 5 x 7 dots |
| | Printer | 2" or 3" easy loading thermal printer with auto-cutter |
| | Fingerprint | 8-bit grayscale reader |
| | MSR & iButton | JIS I or II, ISO Track1+2+3 |
| | 2 nd Display | Hang on back 8", 10.4", 15" LCD / Standalone: 15" LCD |
| Display | LCD | 15" TFT LCD |
| | Max. Resolution | 1024 x 768 |
| | Brightness | 300 cd/m ² |
| | Touchscreen | Bezel-free 5-wire analog resistive or projected capacitive |
| Environment | EMC & Safety | CE / FCC |
| | Temp. | Operating: 0°C ~ 35°C / Storage: -5°C ~ 60°C |
| | Humidity | 20% ~ 90% |

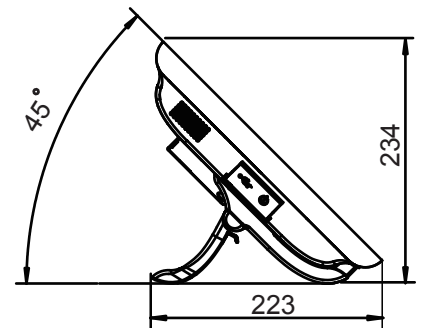
PA-J670

System View

Front View

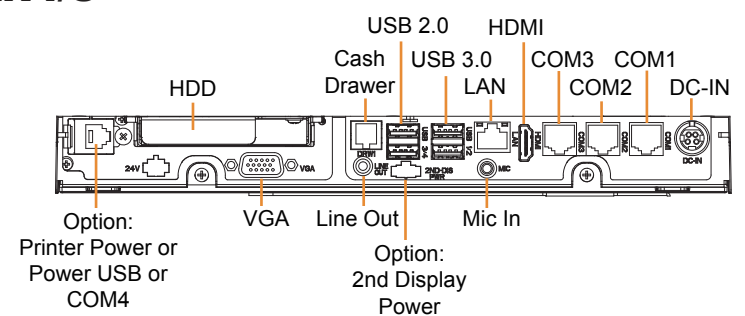


Side View

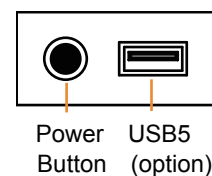


Unit: mm

REAR I/O



SIDE I/O



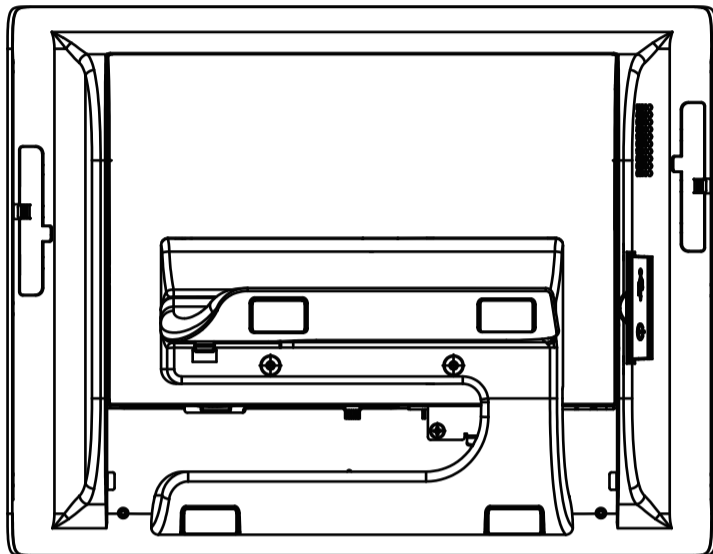
PA-J670

15" Fanless POS Terminal with Intel® Celeron J3455

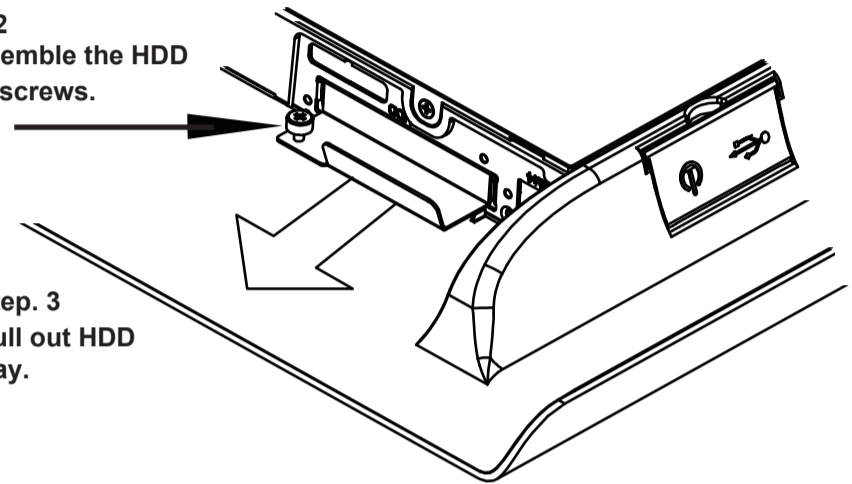
Easy Maintenance

HDD Maintenance

Step. 1 Lay down System on a flat as under drawing.



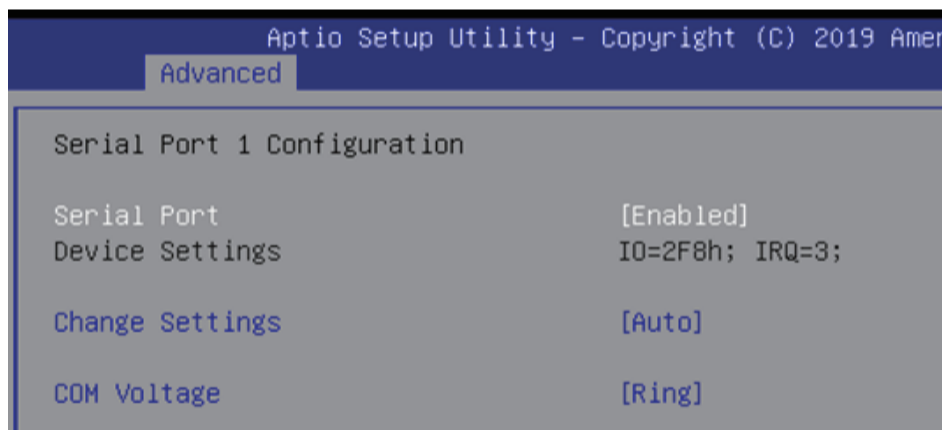
Step. 2 Unassemble the HDD fixing screws.



Step. 3 Pull out HDD tray.

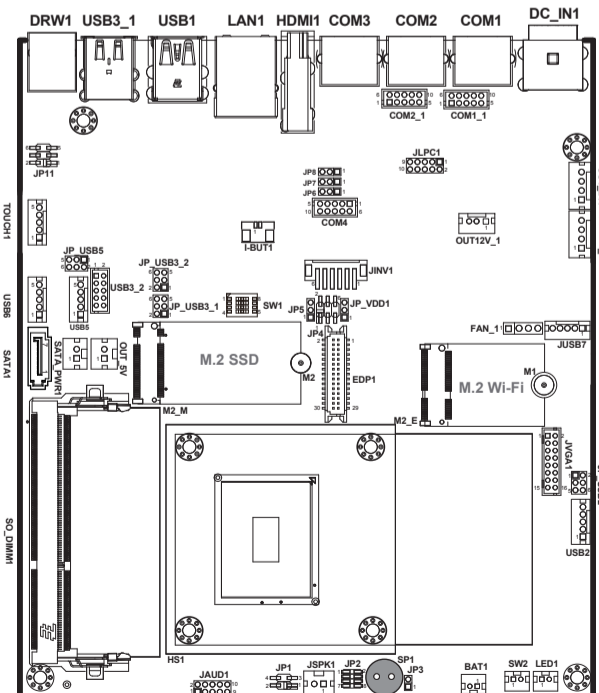
COM Port Voltage Selection

Voltage of external "COM1" & "COM2" ports are made to control on BIOS for your convenience.



| BIOS Setting | Options | Description |
|--------------|--------------------------|---------------------------------------|
| COM Voltage | -Disabled -12V -5V | Disable or select COM1 Voltage 12V/5V |

M/B: PB-A900



CAUTION! Danger of explosion may occur if the battery is replaced incorrectly. Replace batteries only with the same or equivalent type recommended by the manufacturer. Dispose the used batteries according to the manufacturer's instructions.

Safety Precaution

The following messages are safety reminders on how to protect your system from damages, and extend the life cycle of the system.

1. Check the Line Voltage

- Make sure the operating voltage range is between 100V and 240V AC; otherwise, the system could be damaged.

2. Environmental Conditions

- Place your PA-J670 on a sturdy, level surface. Be sure to allow enough space around the system to have easy access needs.
- Avoid installing the system in extremely hot or cold places.
- Avoid exposure to sunlight for a long period of time or in an airtight room.
- Also, avoid the system from any heating device or using the PA-J670 when it has been left outdoors in a cold winter day.
- Bear in mind that the operating ambient temperature is between 0°C and 35°C (32°F~ 95°F).
- Avoid moving the system rapidly from a hot place to a cold place, and vice versa, because condensation may occur inside the system.
- Operate the PA-J670 in strong vibration may cause hard disk failure.
- Do not place the system too close to any radio-active device. Radio-active device may cause signal interference.
- Always shut down the operating system before turning off the power.

3. Handling

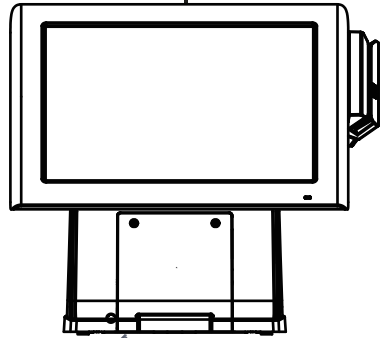
- Avoid placing heavy objects on the top of the system.
- Do not turn the system upside down. This may cause the hard drive to malfunction.
- Do not allow any objects to fall into this product.
- If water or other liquid spills into this product, unplug the power cord immediately.

4. Good Care

- When the outside case gets stained, remove the stains using neutral washing agent with a dry cloth.
- Never use strong agents such as benzene and thinner to clean the surface of the case.
- If heavy stains are present, moisten a cloth with diluted neutral washing agent or alcohol and then wipe thoroughly with a dry cloth.
- If dust is accumulated on the case surface, remove it using a special vacuum cleaner for computers.
- Do not replace the motherboard battery by yourself, or serious damage may occur.

PA-J670

Quick Reference Guide



Ver. Q1

All Rights Reserved. Copyright 2020

Packing Checklist

If you discover any item below was damaged or lost, please contact your vendor immediately.

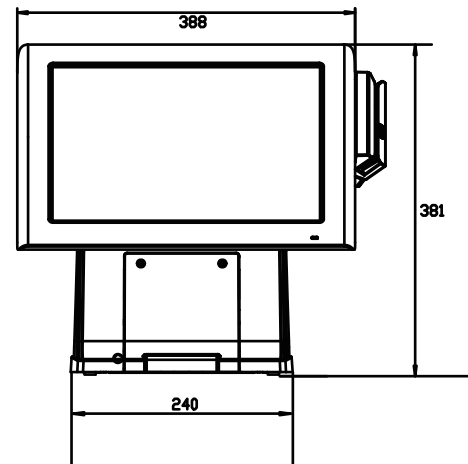
- PA-J670 X 1
- This Quick Reference Guide X 1
- Power Adaptor X 1
- AC Power Cord X 1
- Driver DVD X 1
- Option X 1

Specifications

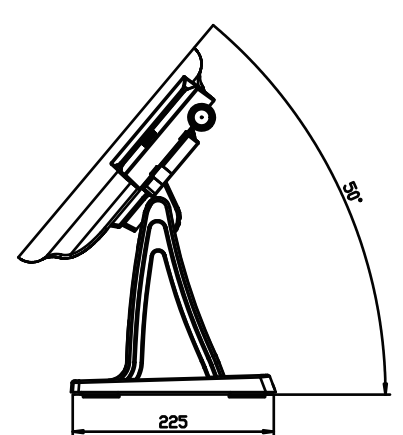
| | | |
|-------------|-------------------------|---|
| System | CPU Support | Intel® Celeron J3455 CPU |
| | Memory | 1 x DDR3L SO-DIMM (up to 8GB) |
| | Network | Gigabit 10/100/1000 Base-T Fast Ethernet |
| | Power Supply | 60/90 watt power adaptor |
| | Audio | 2W speaker |
| | System Weight | 5.62kg (without printer) |
| | Dimensions (W x H x D) | 388 x 381 x 225mm (50 degree) |
| | O.S. Support | Win 10 IoT Ent 2019 LTSC / 2016 LTSB |
| Storage | SATA | 1 x 2.5" HDD or SSD 1 x M.2 2242 (SATAIII interface) |
| I/O Ports | USB | on rear: 2 x USB 2.0 / 2 x USB 3.0 on side bezel: 1 x USB 2.0 (optional) |
| | Serial Ports | COM x 3+1(optional), RJ50 connector (support RI/5V/12V) COM1/2 support RI /5V /12V selectable under BIOS |
| | LAN | 1 x RJ45 |
| | VGA | 1 x DB15 |
| | HDMI | 1 x HDMI |
| | Audio | 1 x Mic In, 1 x Line Out |
| | Cash Drawer | 1 x RJ12 (+12V or +24V selectable) |
| | HDD Slot | 1 x HDD maintenance slot |
| | DC In | 1 x 4pin DC power jack |
| | DC Out | 1 x 12Vdc out (3-pin) for 2nd display (optional) |
| Add-ons | Customer Display | VFD, 20 columns and 2 lines, each column is 5 x 7 dots |
| | Printer | 2" or 3" easy loading thermal printer with auto-cutter |
| | Fingerprint | 8-bit grayscale reader |
| | MSR & iButton | JIS I or II, ISO Track1+2+3 |
| | 2 nd Display | Hang on back 8", 10.4", 15" LCD / Standalone: 15" LCD |
| Display | LCD | 15" TFT LCD |
| | Max. Resolution | 1024 x 768 |
| | Brightness | 300 cd/m ² |
| | Touchscreen | Bezel-free 5-wire analog resistive or projected capacitive |
| Environment | EMC & Safety | CE / FCC |
| | Temp. | Operating: 0°C ~ 35°C / Storage: -5°C ~ 60°C |
| | Humidity | 20% ~ 90% |

System View

Front View

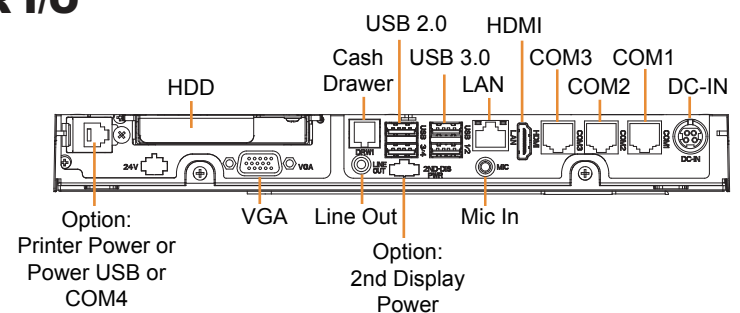


Side View

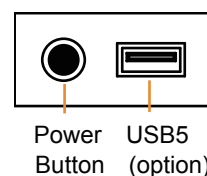


Unit: mm

REAR I/O



SIDE I/O

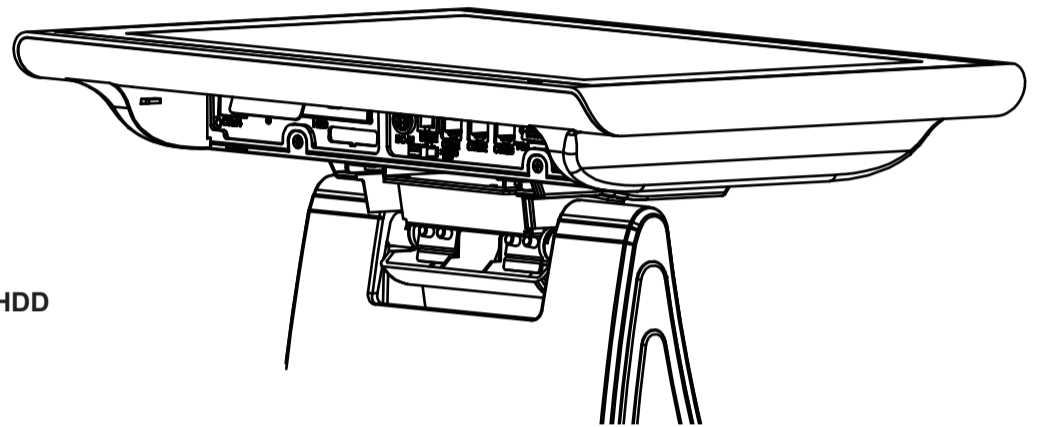
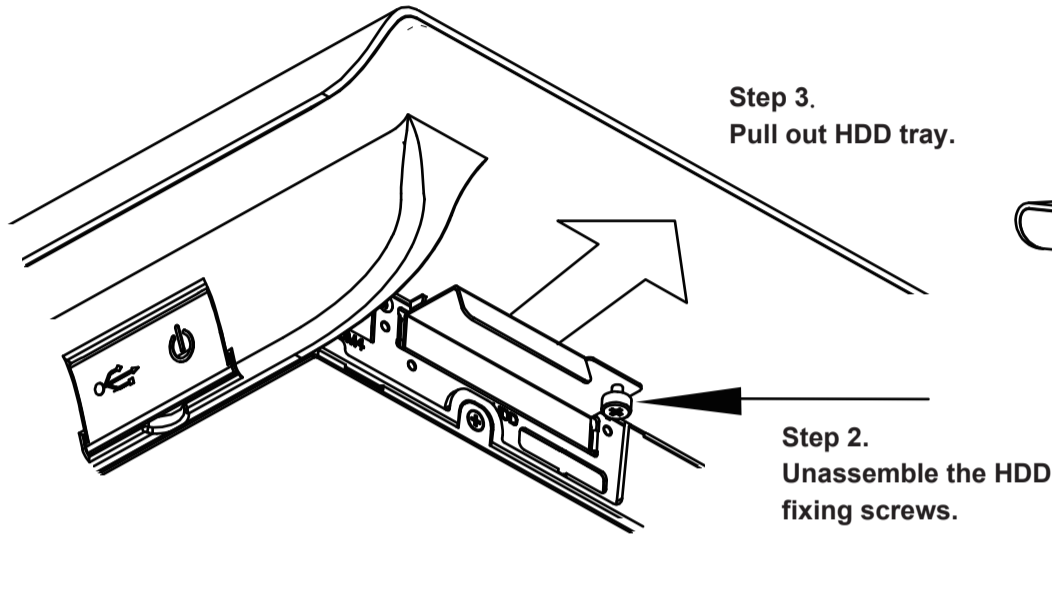


PA-J670

15" Fanless POS Terminal with Intel® Celeron J3455

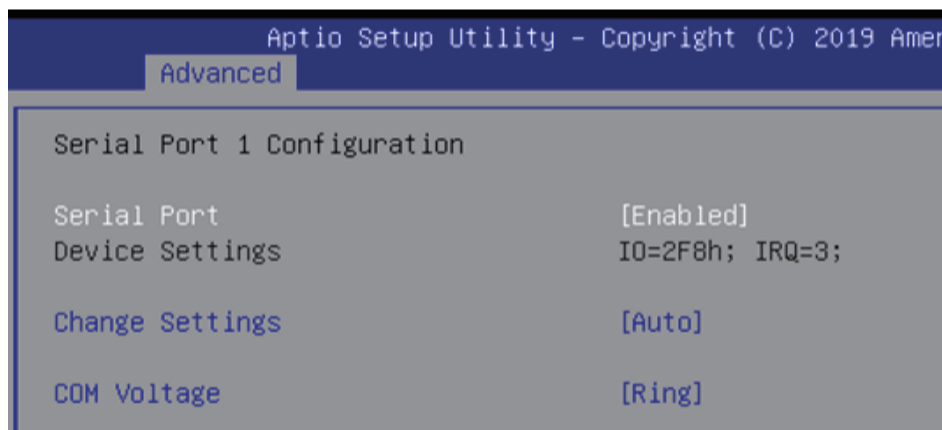
Easy Maintenance

HDD Maintenance



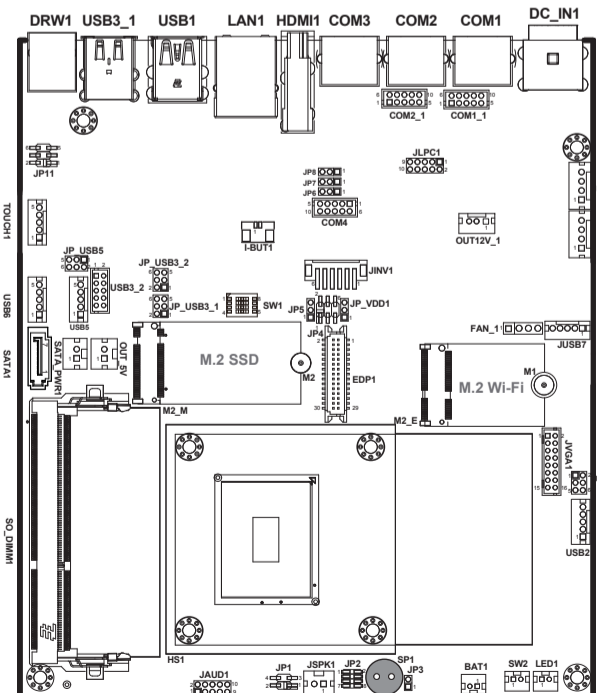
COM Port Voltage Selection

Voltage of external "COM1" & "COM2" ports are made to control on BIOS for your convenience.



| BIOS Setting | Options | Description |
|--------------|--------------------------|---------------------------------------|
| COM Voltage | -Disabled -12V -5V | Disable or select COM1 Voltage 12V/5V |

M/B: PB-A900



CAUTION! Danger of explosion may occur if the battery is replaced incorrectly. Replace batteries only with the same or equivalent type recommended by the manufacturer. Dispose the used batteries according to the manufacturer's instructions.

Safety Precaution

The following messages are safety reminders on how to protect your system from damages, and extend the life cycle of the system.

1. Check the Line Voltage

- Make sure the operating voltage range is between 100V and 240V AC; otherwise, the system could be damaged.

2. Environmental Conditions

- Place your PA-J670 on a sturdy, level surface. Be sure to allow enough space around the system to have easy access needs.
- Avoid installing the system in extremely hot or cold places.
- Avoid exposure to sunlight for a long period of time or in an airtight room.
- Also, avoid the system from any heating device or using the PA-J670 when it has been left outdoors in a cold winter day.
- Bear in mind that the operating ambient temperature is between 0°C and 35°C (32°F~ 95°F).
- Avoid moving the system rapidly from a hot place to a cold place, and vice versa, because condensation may occur inside the system.
- Operate the PA-J670 in strong vibration may cause hard disk failure.
- Do not place the system too close to any radio-active device. Radio-active device may cause signal interference.
- Always shut down the operating system before turning off the power.

3. Handling

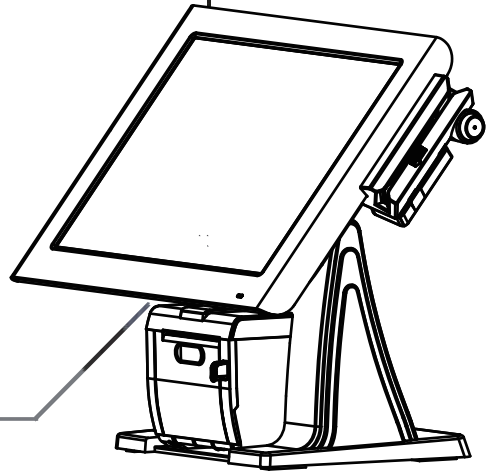
- Avoid placing heavy objects on the top of the system.
- Do not turn the system upside down. This may cause the hard drive to malfunction.
- Do not allow any objects to fall into this product.
- If water or other liquid spills into this product, unplug the power cord immediately.

4. Good Care

- When the outside case gets stained, remove the stains using neutral washing agent with a dry cloth.
- Never use strong agents such as benzene and thinner to clean the surface of the case.
- If heavy stains are present, moisten a cloth with diluted neutral washing agent or alcohol and then wipe thoroughly with a dry cloth.
- If dust is accumulated on the case surface, remove it using a special vacuum cleaner for computers.
- Do not replace the motherboard battery by yourself, or serious damage may occur.

PA-J670

Quick Reference Guide



Ver. Q1

All Rights Reserved. Copyright 2020

Packing Checklist

If you discover any item below was damaged or lost, please contact your vendor immediately.

- PA-J670 X 1
- This Quick Reference Guide X 1
- Power Adaptor X 1
- AC Power Cord X 1
- Driver DVD X 1
- Option X 1

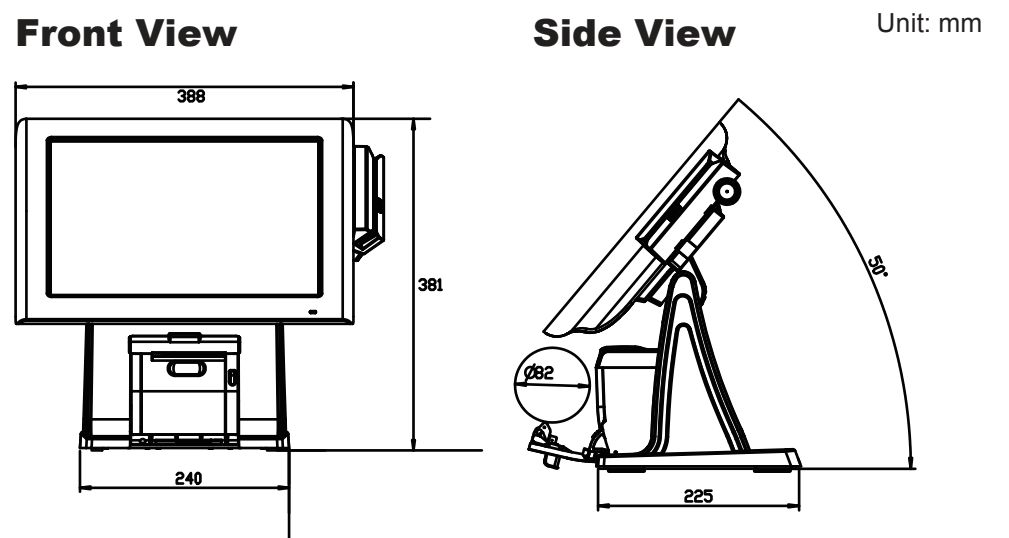
PA-J670

Specifications

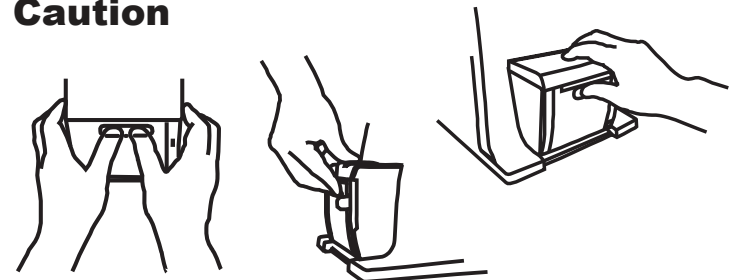
| | | |
|--------------|--------------------------------------|---|
| System | CPU Support | Intel® Celeron J3455 CPU |
| | Memory | 1 x DDR3L SO-DIMM (up to 8GB) |
| | Network | Gigabit 10/100/1000 Base-T Fast Ethernet |
| | Power Supply | 60/90 watt power adaptor |
| | Audio | 2W speaker |
| | System Weight | 6.73kg (without printer) |
| | Dimensions (W x H x D) | 388 x 381 x 225mm (50 degree) |
| | Viewing Angle | 0-55 degree |
| O.S. Support | Win 10 IoT Ent 2019 LTSC / 2016 LTSB | |
| Storage | SATA | 1 x 2.5" HDD or SSD 1 x M.2 2242 (SATAIII interface) |
| I/O Ports | USB | on rear: 2 x USB 2.0 / 2 x USB 3.0 on side bezel: 1 x USB 2.0 (optional) |
| | Serial Ports | COM x 3+1(optional), RJ50 connector (support RI/5V/12V) COM1/2 support RI /5V /12V selectable under BIOS |
| | LAN | 1 x RJ45 |
| | VGA | 1 x DB15 |
| | HDMI | 1 x HDMI |
| | Audio | 1 x Mic In, 1 x Line Out |
| | Cash Drawer | 1 x RJ12 (+12V or +24V selectable) |
| | HDD Slot | 1 x HDD maintenance slot |
| | DC In | 1 x 4pin DC power jack |
| | DC Out | 1 x 12Vdc out (3-pin) for 2nd display (optional) |
| Add-ons | Customer Display | VFD, 20 columns and 2 lines, each column is 5 x 7 dots |
| | Printer | 2" or 3" easy loading thermal printer with auto-cutter |
| | Fingerprint | 8-bit grayscale reader |
| | MSR & iButton | JIS I or II, ISO Track1+2+3 |
| | 2 nd Display | Hang on back 8", 10.4", 15" LCD / Standalone: 15" LCD |
| Display | LCD | 15" TFT LCD |
| | Max. Resolution | 1024 x 768 |
| | Brightness | 300 cd/m ² |
| | Touchscreen | Bezel-free 5-wire analog resistive or projected capacitive |
| Environment | EMC & Safety | CE / FCC |
| | Temp. | Operating: 0°C ~ 35°C / Storage: -5°C ~ 60°C |
| | Humidity | 20% ~ 90% |

PA-J670

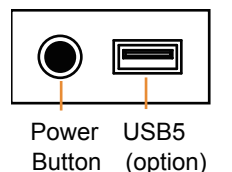
System View



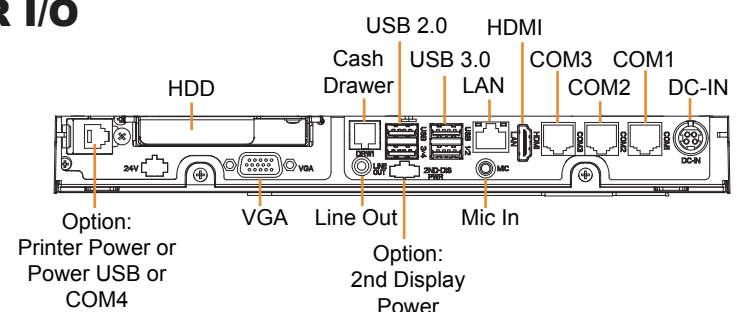
Caution



SIDE I/O



REAR I/O

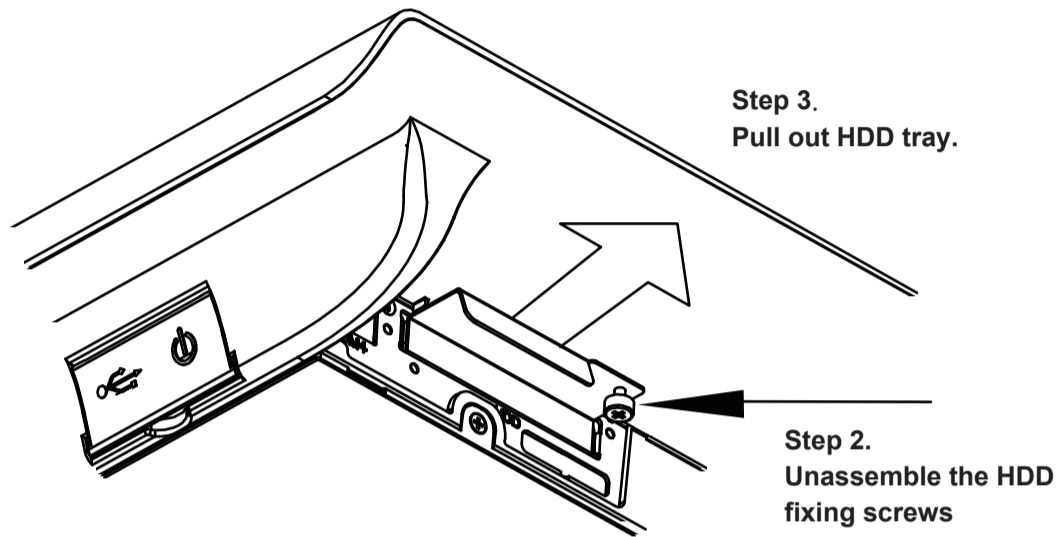


PA-J670

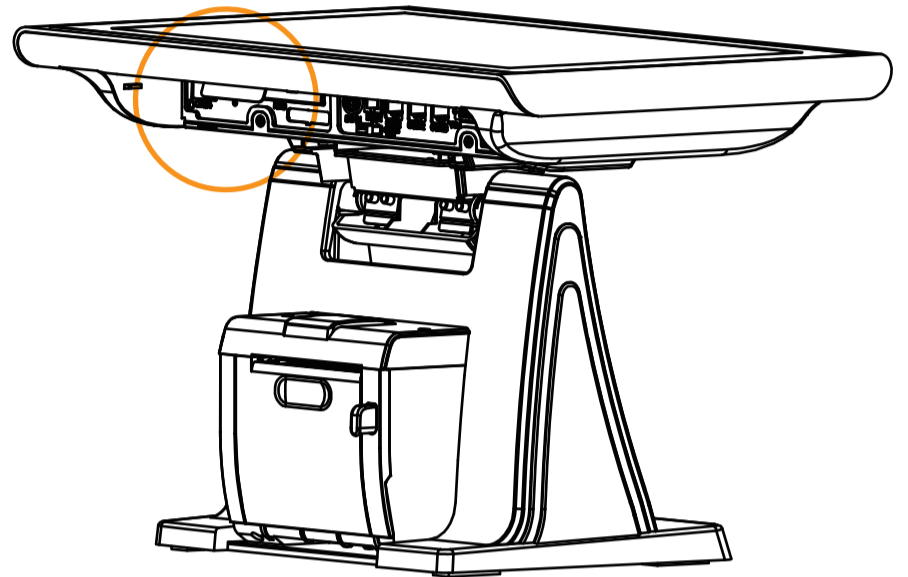
15" Fanless POS Terminal with Intel® Celeron J3455

Easy Maintenance

HDD Maintenance

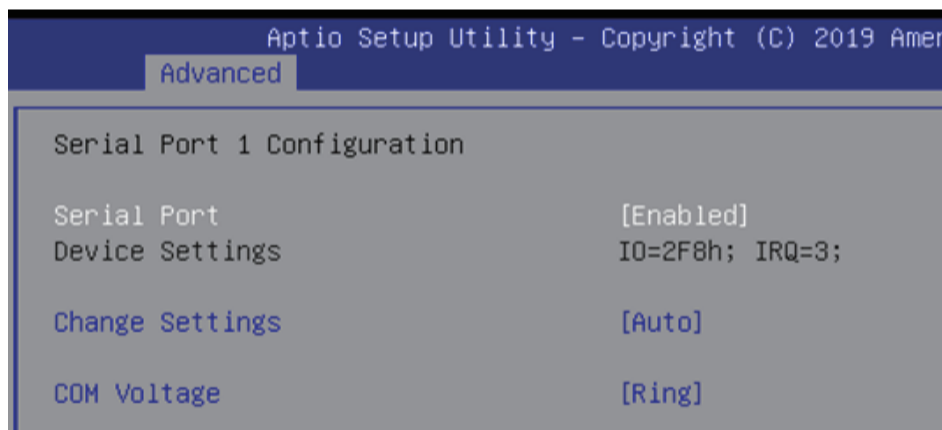


Step 1.
To adjust LCD angle to zero degree.



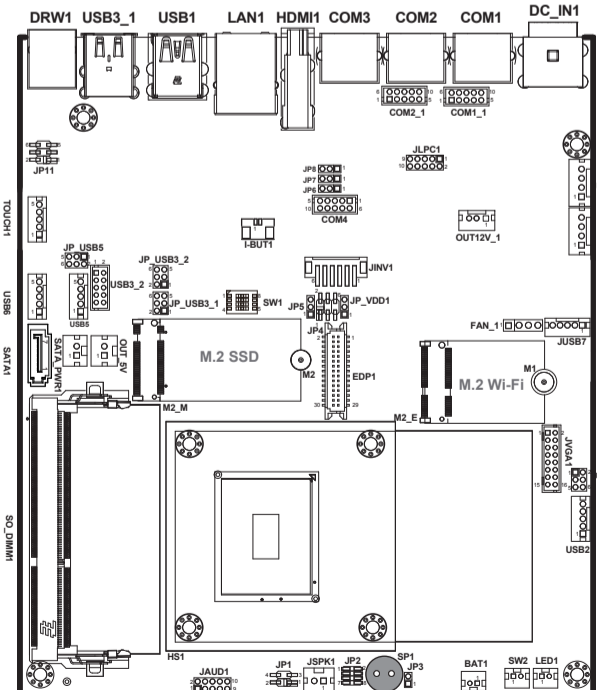
COM Port Voltage Selection

Voltage of external "COM1" & "COM2" ports are made to control on BIOS for your convenience.



| BIOS Setting | Options | Description |
|--------------|--------------------------|---------------------------------------|
| COM Voltage | -Disabled -12V -5V | Disable or select COM1 Voltage 12V/5V |

M/B: PB-A900



CAUTION! Danger of explosion may occur if the battery is replaced incorrectly. Replace batteries only with the same or equivalent type recommended by the manufacturer. Dispose the used batteries according to the manufacturer's instructions.

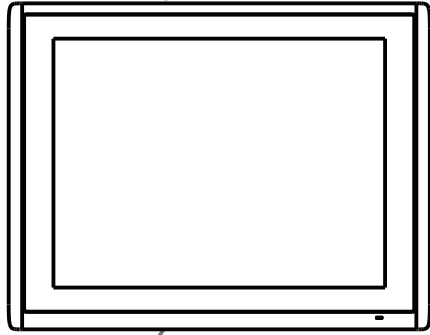
Safety Precaution

The following messages are safety reminders on how to protect your system from damages, and extend the life cycle of the system.

- 1. Check the Line Voltage**
 - Make sure the operating voltage range is between 100V and 240V AC; otherwise, the system could be damaged.
- 2. Environmental Conditions**
 - Place your PA-J670 on a sturdy, level surface. Be sure to allow enough space around the system to have easy access needs.
 - Avoid installing the system in extremely hot or cold places.
 - Avoid exposure to sunlight for a long period of time or in an airtight room.
 - Also, avoid the system from any heating device or using the PA-J670 when it has been left outdoors in a cold winter day.
 - Bear in mind that the operating ambient temperature is between 0°C and 35°C (32°F~ 95°F).
 - Avoid moving the system rapidly from a hot place to a cold place, and vice versa, because condensation may occur inside the system.
 - Operate the PA-J670 in strong vibration may cause hard disk failure.
 - Do not place the system too close to any radio-active device. Radio-active device may cause signal interference.
 - Always shut down the operating system before turning off the power.
- 3. Handling**
 - Avoid placing heavy objects on the top of the system.
 - Do not turn the system upside down. This may cause the hard drive to malfunction.
 - Do not allow any objects to fall into this product.
 - If water or other liquid spills into this product, unplug the power cord immediately.
- 4. Good Care**
 - When the outside case gets stained, remove the stains using neutral washing agent with a dry cloth.
 - Never use strong agents such as benzene and thinner to clean the surface of the case.
 - If heavy stains are present, moisten a cloth with diluted neutral washing agent or alcohol and then wipe thoroughly with a dry cloth.
 - If dust is accumulated on the case surface, remove it using a special vacuum cleaner for computers.
 - Do not replace the motherboard battery by yourself, or serious damage may occur.

PA-J670

Quick Reference Guide



Ver. Q1

All Rights Reserved. Copyright 2020

Packing Checklist

If you discover any item below was damaged or lost, please contact your vendor immediately.

- PA-J670 X 1
- This Quick Reference Guide X 1
- Power Adaptor X 1
- AC Power Cord X 1
- Driver DVD X 1
- Option X 1

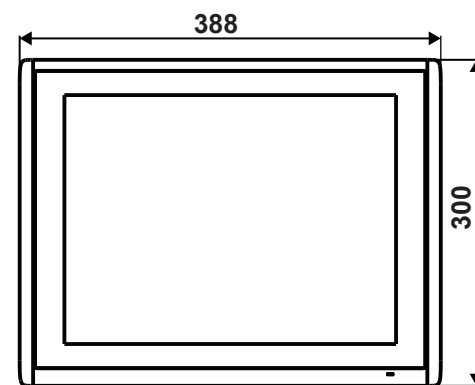
Specifications

| | | |
|-------------|-------------------------|---|
| System | CPU Support | Intel® Celeron J3455 CPU |
| | Memory | 1 x DDR3L SO-DIMM (up to 8GB) |
| | Network | Gigabit 10/100/1000 Base-T Fast Ethernet |
| | Power Supply | 60/90 watt power adaptor |
| | Audio | 2W speaker |
| | System Weight | 3.84kg |
| | Dimensions (W x H x D) | 388 x 300 x 94mm |
| | O.S. Support | Win 10 IoT Ent 2019 LTSC / 2016 LTSB |
| Storage | SATA | 1 x 2.5" HDD or SSD 1 x M.2 2242 (SATAIII interface) |
| I/O Ports | USB | on rear: 2 x USB 2.0 / 2 x USB 3.0 on side bezel: 1 x USB 2.0 (optional) |
| | Serial Ports | COM x 3+1(optional), RJ50 connector (support RI/5V/12V) COM1/2 support RI /5V /12V selectable under BIOS |
| | LAN | 1 x RJ45 |
| | VGA | 1 x DB15 |
| | HDMI | 1 x HDMI |
| | Audio | 1 x Mic In, 1 x Line Out |
| | Cash Drawer | 1 x RJ12 (+12V or +24V selectable) |
| | HDD Slot | 1 x HDD maintenance slot |
| | DC In | 1 x 4pin DC power jack |
| | DC Out | 1 x 12Vdc out (3-pin) for 2nd display (optional) |
| Add-ons | Customer Display | VFD, 20 columns and 2 lines, each column is 5 x 7 dots |
| | Printer | 2" or 3" easy loading thermal printer with auto-cutter |
| | Fingerprint | 8-bit grayscale reader |
| | MSR & iButton | JIS I or II, ISO Track1+2+3 |
| | 2 nd Display | Hang on back 8", 10.4", 15" LCD / Standalone: 15" LCD |
| Display | LCD | 15" TFT LCD |
| | Max. Resolution | 1024 x 768 |
| | Brightness | 300 cd/m ² |
| | Touchscreen | Bezel-free 5-wire analog resistive or projected capacitive |
| Environment | EMC & Safety | CE / FCC |
| | Temp. | Operating: 0°C ~ 35°C / Storage: -5°C ~ 60°C |
| | Humidity | 20% ~ 90% |

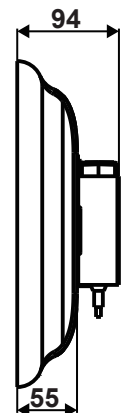
System View

Unit: mm

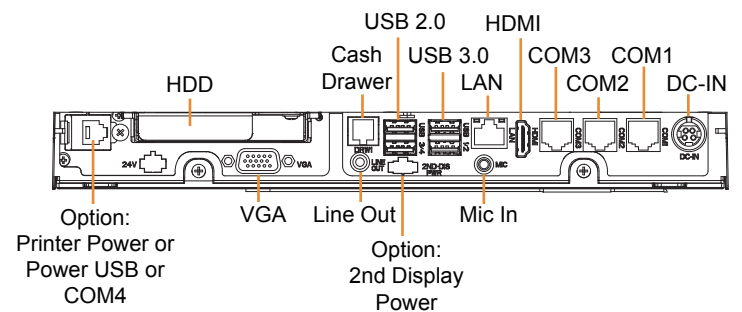
Front View



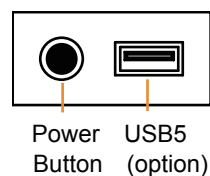
Side View



REAR I/O



SIDE I/O

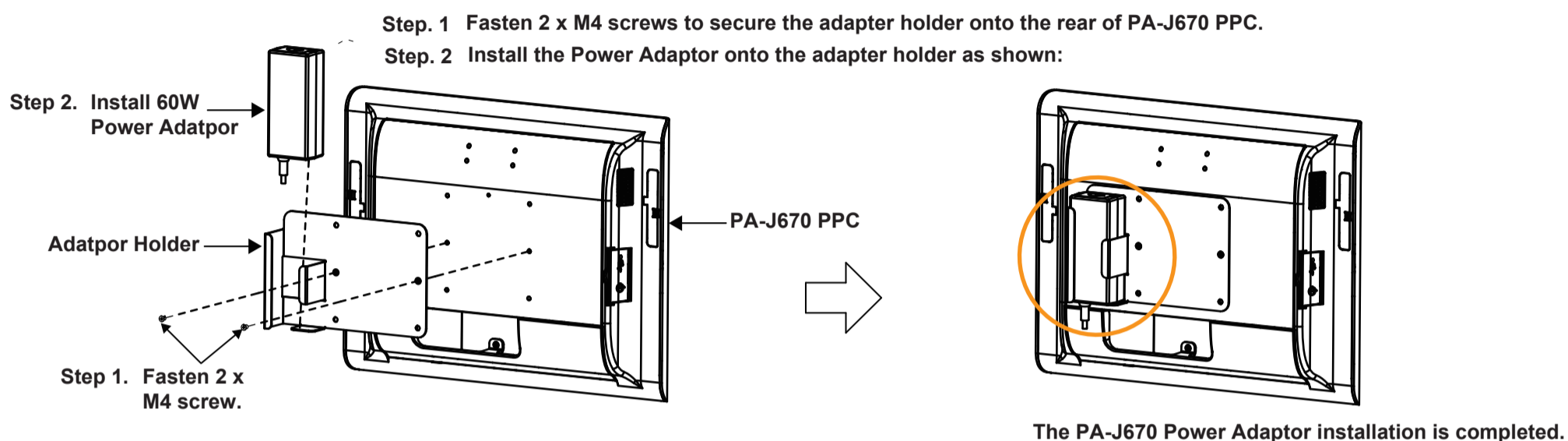


PA-J670

15" Fanless POS Terminal with Intel® Celeron J3455

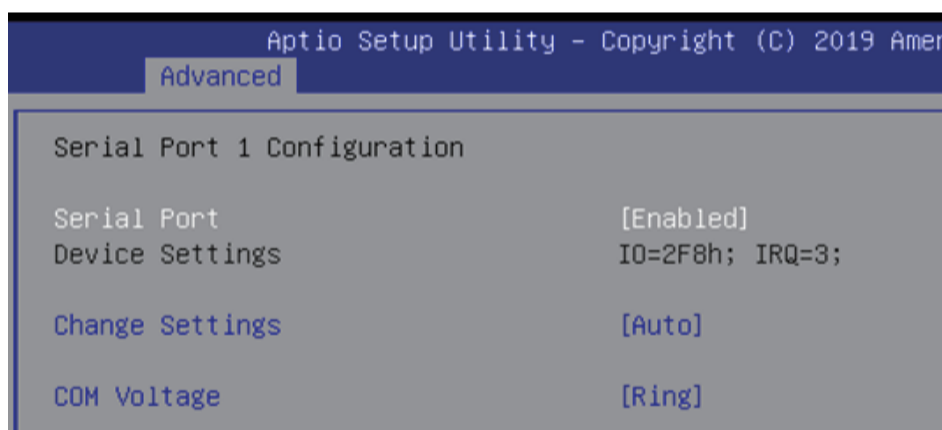
Easy Maintenance

Installing Power Adaptor



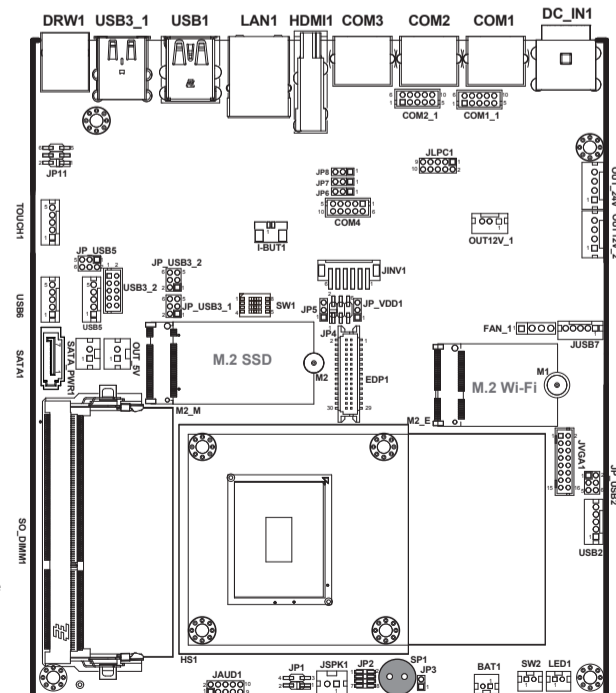
COM Port Voltage Selection

Voltage of external "COM1" & "COM2" ports are made to control on BIOS for your convenience.



| BIOS Setting | Options | Description |
|--------------|--------------------------|---------------------------------------|
| COM Voltage | -Disabled -12V -5V | Disable or select COM1 Voltage 12V/5V |

M/B: PB-A900



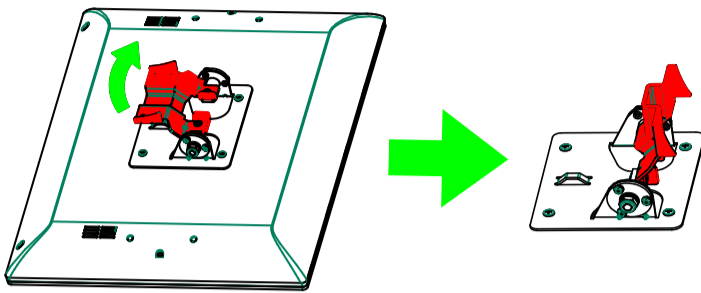
CAUTION! Danger of explosion may occur if the battery is replaced incorrectly. Replace batteries only with the same or equivalent type recommended by the manufacturer. Dispose the used batteries according to the manufacturer's instructions.

Safety Precaution

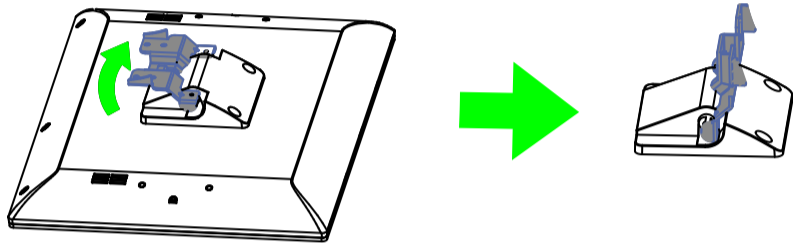
The following messages are safety reminders on how to protect your system from damages, and extend the life cycle of the system.

- 1. Check the Line Voltage**
 - Make sure the operating voltage range is between 100V and 240V AC; otherwise, the system could be damaged.
- 2. Environmental Conditions**
 - Place your PA-J670 on a sturdy, level surface. Be sure to allow enough space around the system to have easy access needs.
 - Avoid installing the system in extremely hot or cold places.
 - Avoid exposure to sunlight for a long period of time or in an airtight room.
 - Also, avoid the system from any heating device or using the PA-J670 when it has been left outdoors in a cold winter day.
 - Bear in mind that the operating ambient temperature is between 0°C and 35°C (32°F~ 95°F).
 - Avoid moving the system rapidly from a hot place to a cold place, and vice versa, because condensation may occur inside the system.
 - Operate the PA-J670 in strong vibration may cause hard disk failure.
 - Do not place the system too close to any radio-active device. Radio-active device may cause signal interference.
 - Always shut down the operating system before turning off the power.
- 3. Handling**
 - Avoid placing heavy objects on the top of the system.
 - Do not turn the system upside down. This may cause the hard drive to malfunction.
 - Do not allow any objects to fall into this product.
 - If water or other liquid spills into this product, unplug the power cord immediately.
- 4. Good Care**
 - When the outside case gets stained, remove the stains using neutral washing agent with a dry cloth.
 - Never use strong agents such as benzene and thinner to clean the surface of the case.
 - If heavy stains are present, moisten a cloth with diluted neutral washing agent or alcohol and then wipe thoroughly with a dry cloth.
 - If dust is accumulated on the case surface, remove it using a special vacuum cleaner for computers.
 - Do not replace the motherboard battery by yourself, or serious damage may occur.

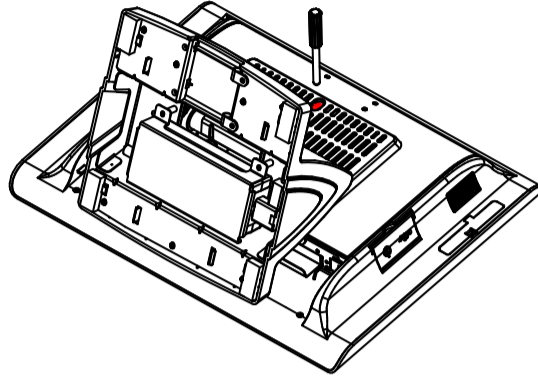
Step 1.
Pull "the bracket" upwards.
PN: PA-6722RZ-51B~54B



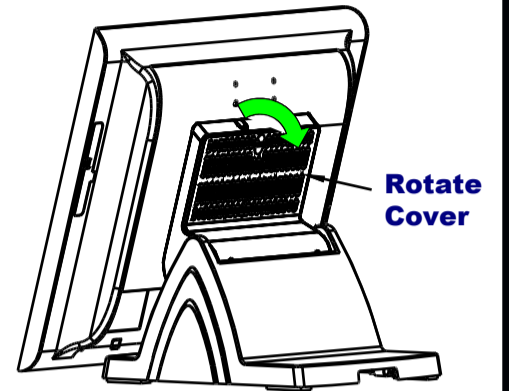
PN: PA-6722RZ-5AB~5DB



Step 2.
Release the stand screw (red).

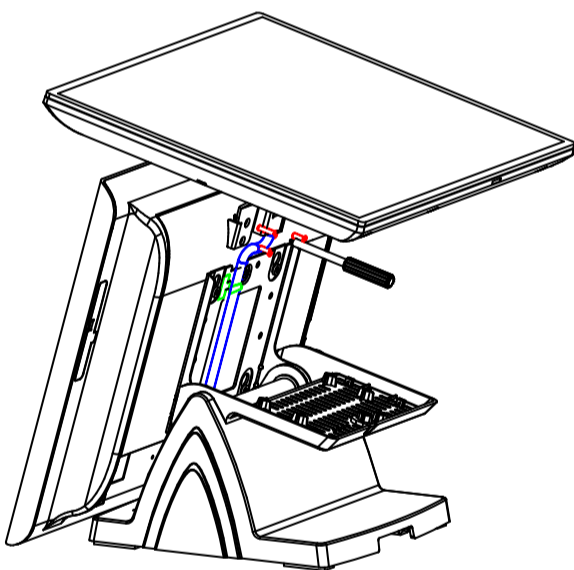


Step 3.
Rotate and open the Rotate Cover as shown by the arrow (green):

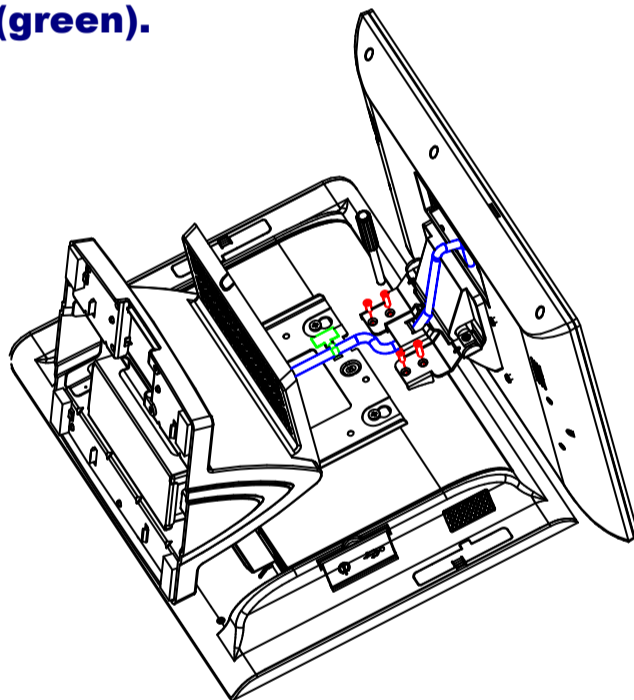


Step 5.
Plug VGA cable to VGA port and Power cable to 2ND-DIS-PWR port on rear I/O panel of Panel-PC.

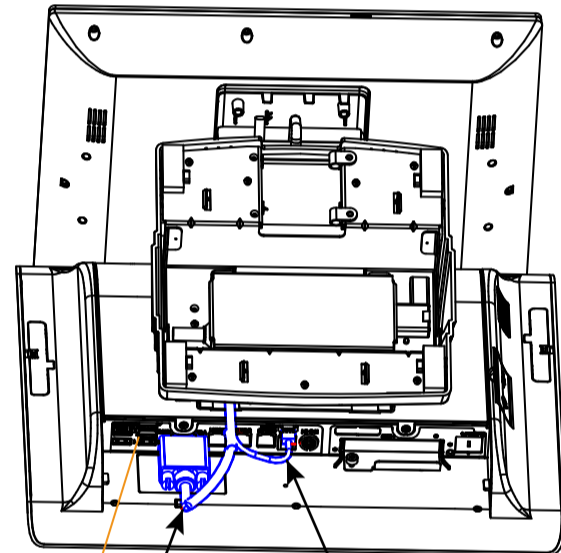
Step 4.
Secure 4 screws of 2nd display kit onto Panel-PC and wire VGA and Power cables on. Fix the cable (blue) with the cable clamp (green).



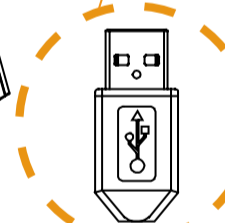
Vertical View



Horizontal View

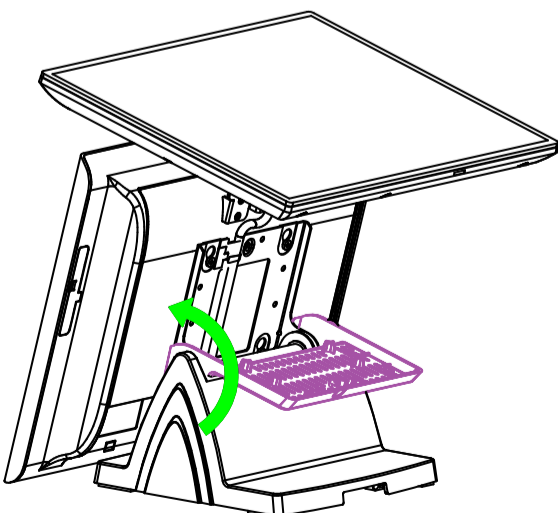


VGA Port 2nd_DIS_PWR Port

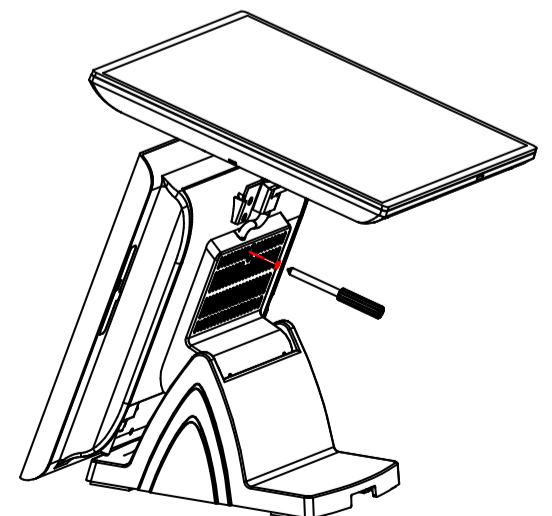
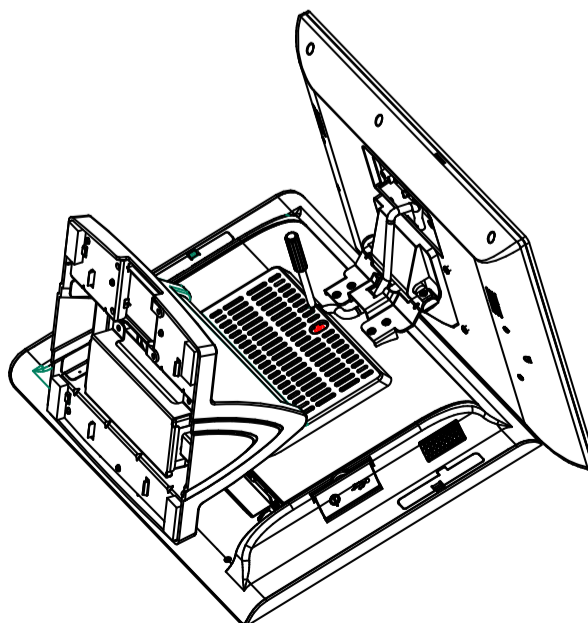


Plug the USB signal cable if the 2nd-Display is built with Touchscreen.

Step 6.
Close the Rotate Cover. See the arrow (green):



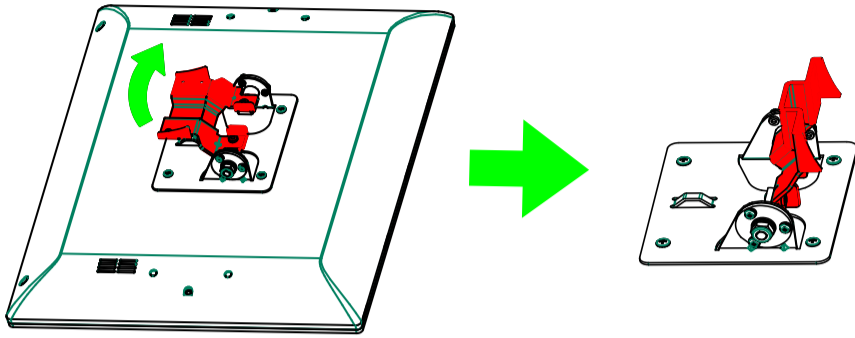
Step 7.
Tighten back the screw (red) of the stand module to fix Rotate Cover onto Panel-PC.



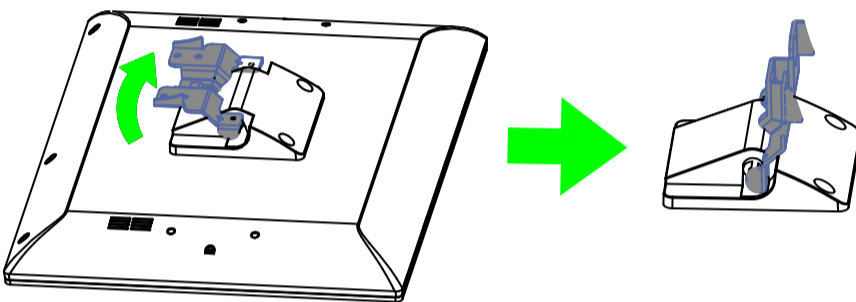
The 2nd-Display assembly is finished.

Step 1.
Pull "the bracket" upwards.

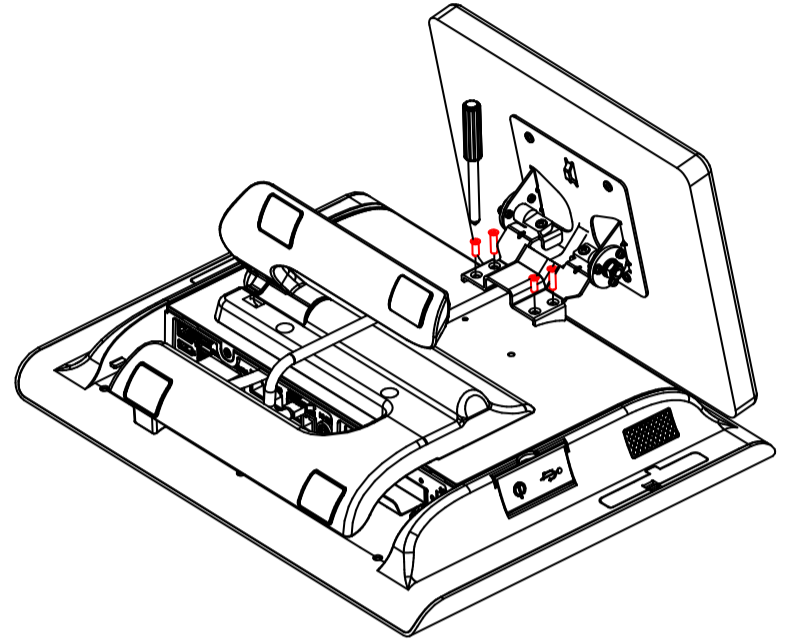
PN: PA-6722RZ-51B~52B



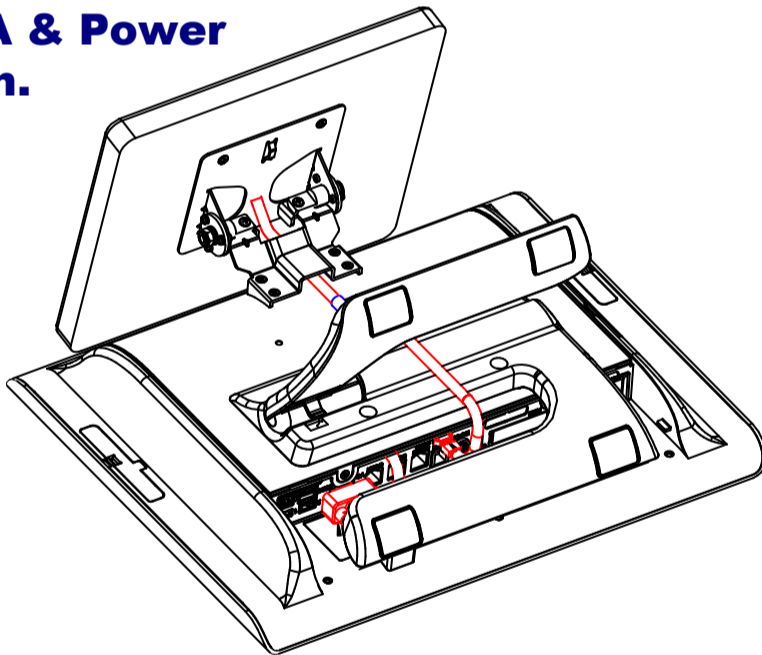
PN: PA-6722RZ-5AB~5BB



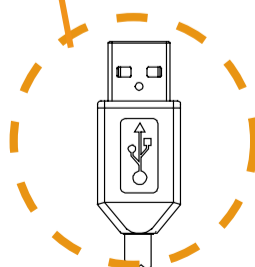
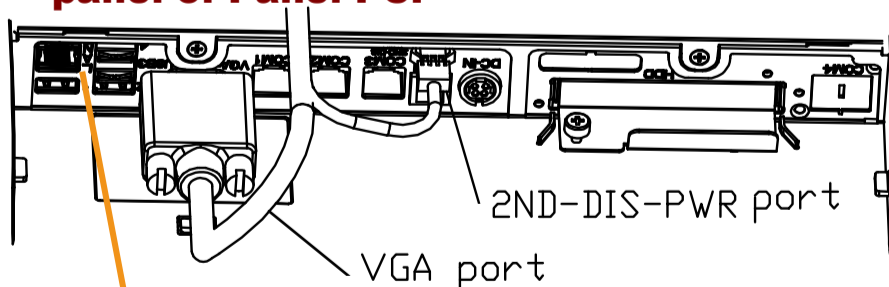
Step 2.
Screw the "2nd-display kit" onto the back of Panel-PC.



Step 3.
Wire VGA & Power cables on.

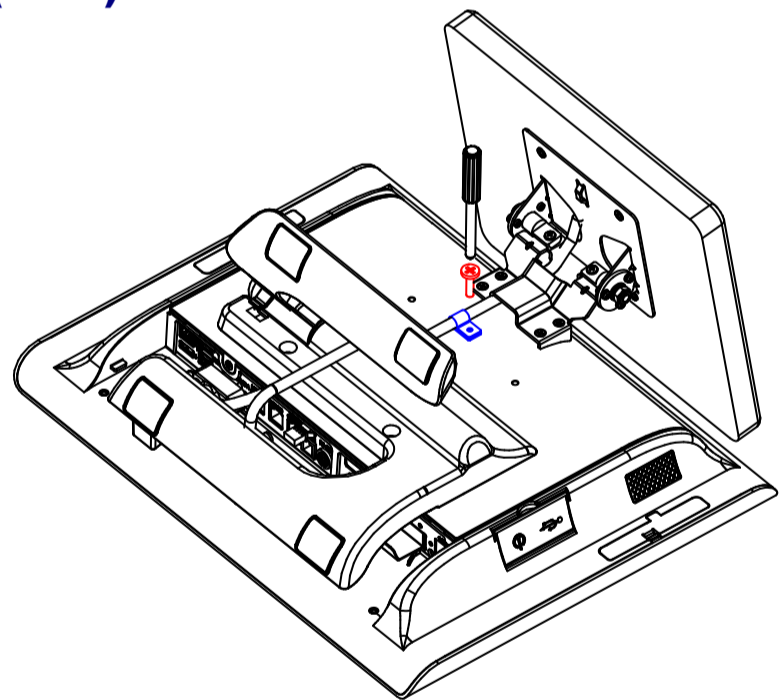


Plug the VGA & Power cables to rear panel of Panel-PC.

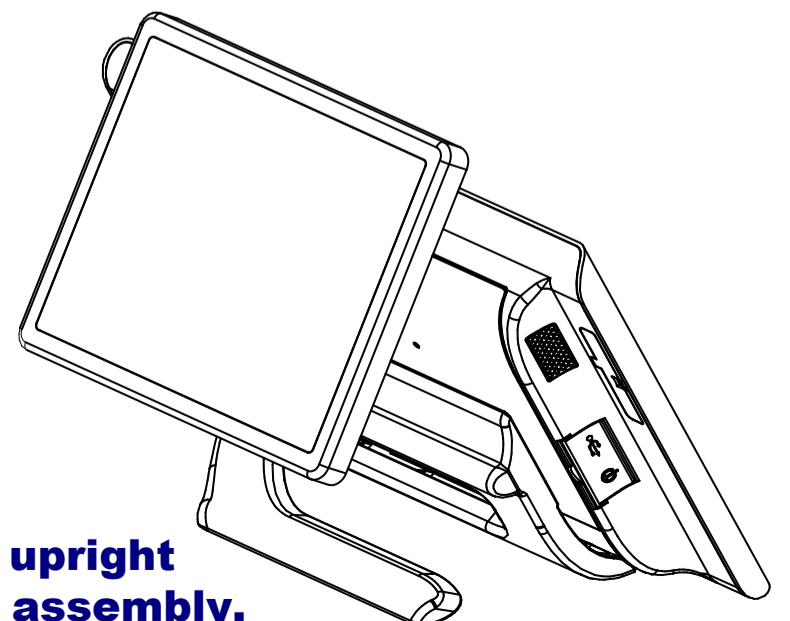


Plug the USB signal cable if the 2nd-Display you are using is built with Touchscreen.

Step 4.
Fix the cable with the cable clamp (blue).

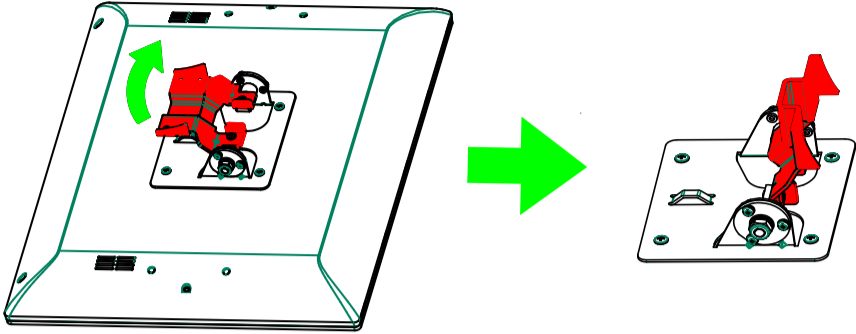


Step 5.
Put the system in an upright position to finish the assembly.

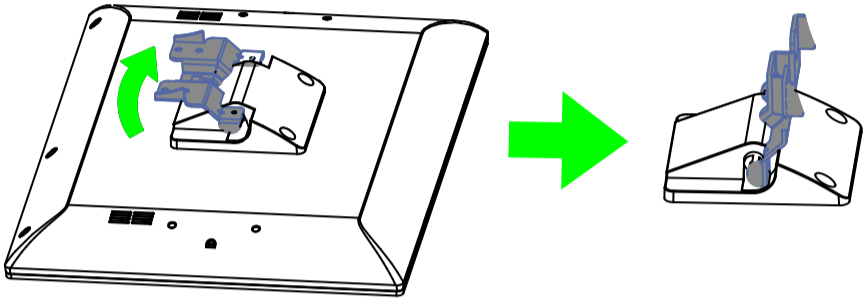


Step 1. Pull "the bracket" upwards.

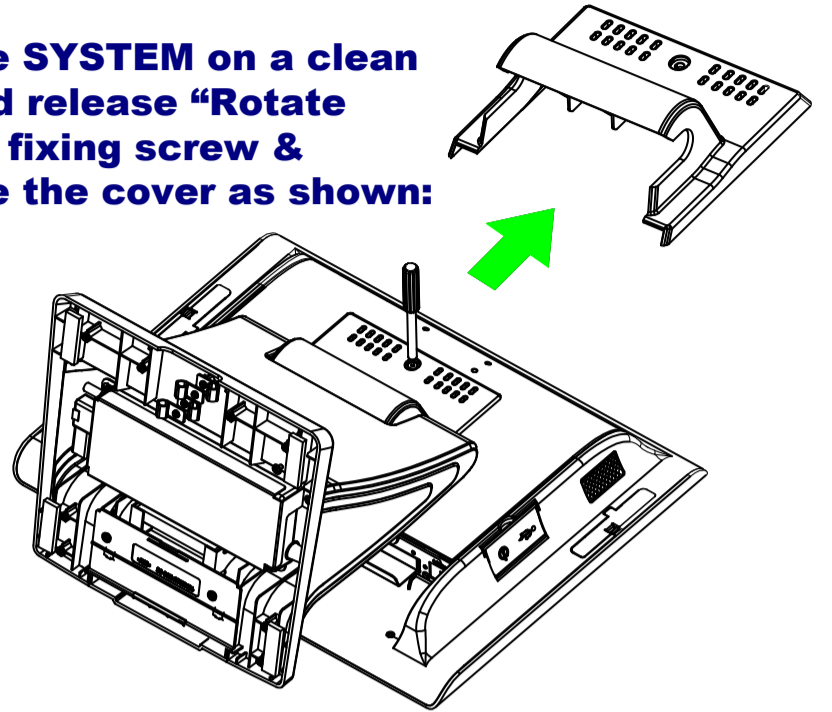
PN: PA-6722RZ-51B-54B



PN: PA-6722RZ-5AB-5DB

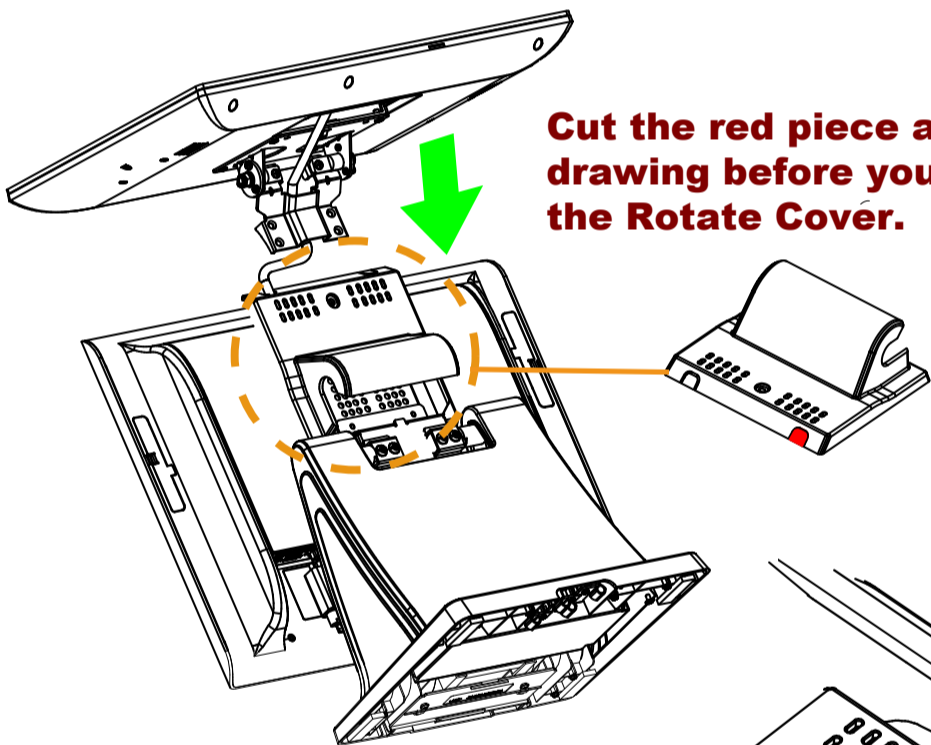


Step 2. Lay the SYSTEM on a clean flat and release "Rotate Cover" fixing screw & remove the cover as shown:

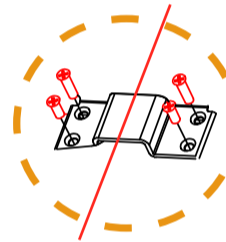


Step 3. Wire VGA & Power cables on.

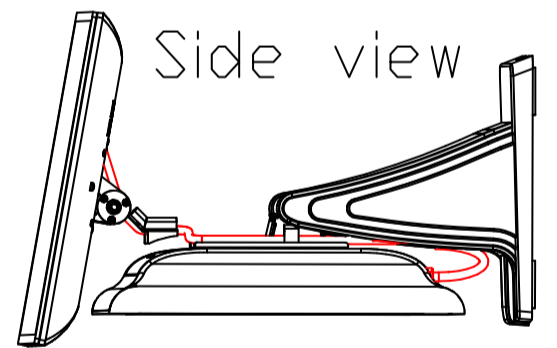
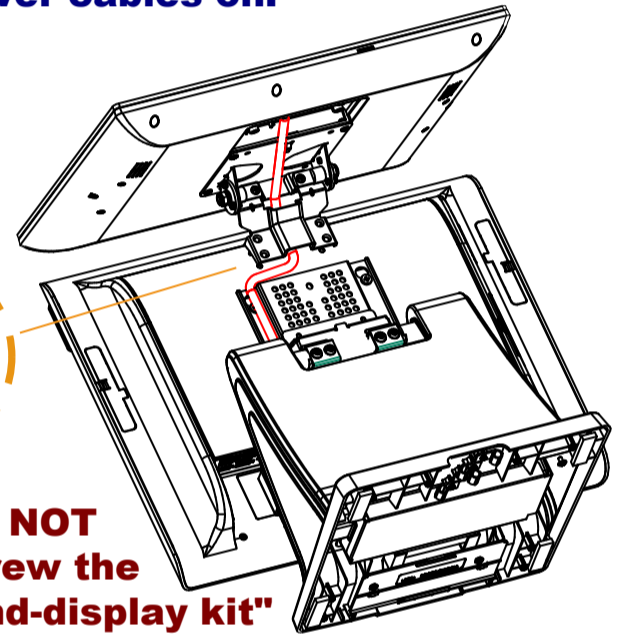
Step 4. Assemble back the Rotate Cover as shown:



Cut the red piece as under drawing before you assemble the Rotate Cover.

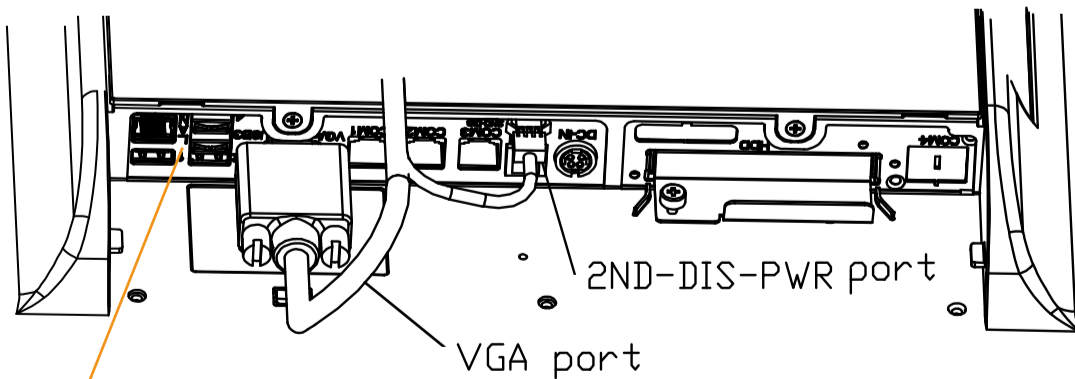


DO NOT screw the "2nd-display kit" on Panel-PC at this step.

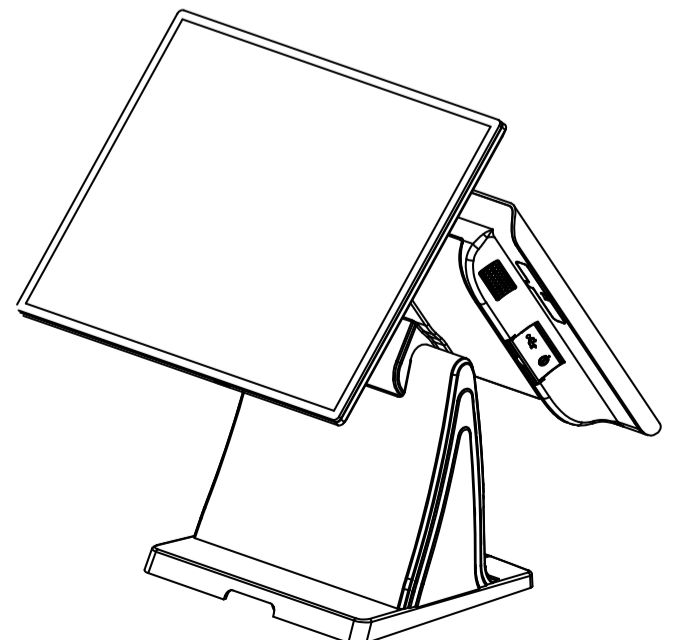


Step 5. Screw the "2nd-display kit" & "Rotate-cover fixing screw" onto Panel-PC.

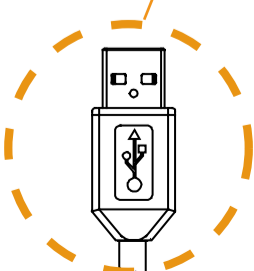
Step 6. Plug the VGA & Power cables to rear panel of Panel-PC.



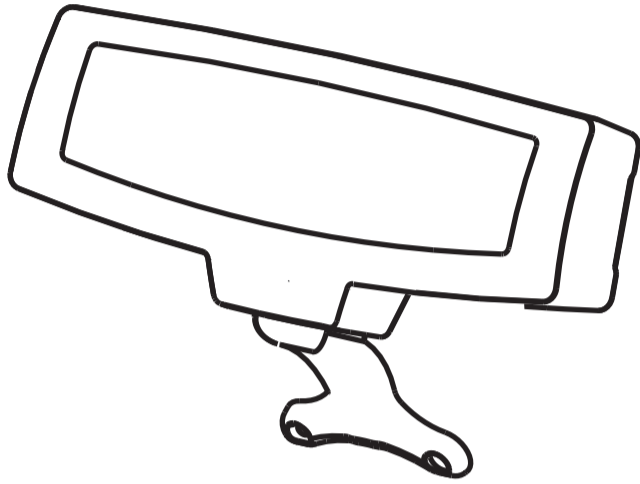
Step 7. Put the system in an upright position to finish the assembly.



Plug the USB signal cable if the 2nd-Display you are using is built with Touchscreen.



EasyStand PA-J670 VFD Installation



Ver. Q1

All Rights Reserved. Copyright 2020

If you discover any item below was damaged or lost, please contact your vendor.

VFD Packing List

| | |
|--|-----|
| <input checked="" type="checkbox"/> VFD Kit (Assembled Cable) | X 1 |
| <input checked="" type="checkbox"/> EVA Sponge | X 4 |
| <input checked="" type="checkbox"/> This Quick Reference Guide | X 1 |

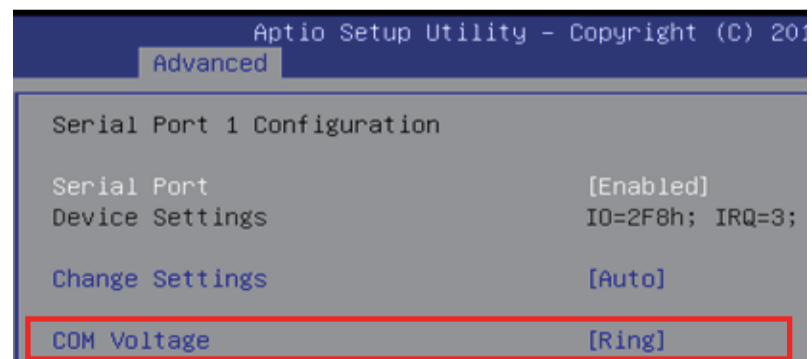
Set BIOS For VFD Power Supply

1-1 When the system is powered on, the BIOS will enter the Power-On Self-Test (POST) routines and the following message will appear on the lower screen:



As long as this message is present on the screen, you may press the key to access the Setup program.

1-2 Move the cursor by up/down keys to highlight the [Advanced] => [F81966 Super IO Configuration] => [Serial Port 1 Configuration] => [COM Voltage] menu items.

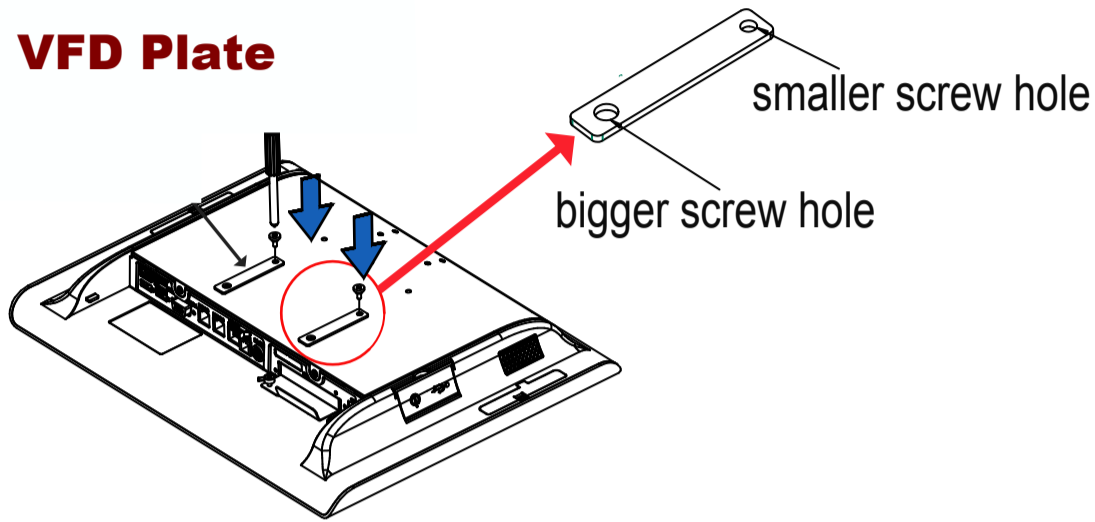


1-3 Move the cursor to [COM Voltage], change the COM1 setting to [12V] from [Disabled].

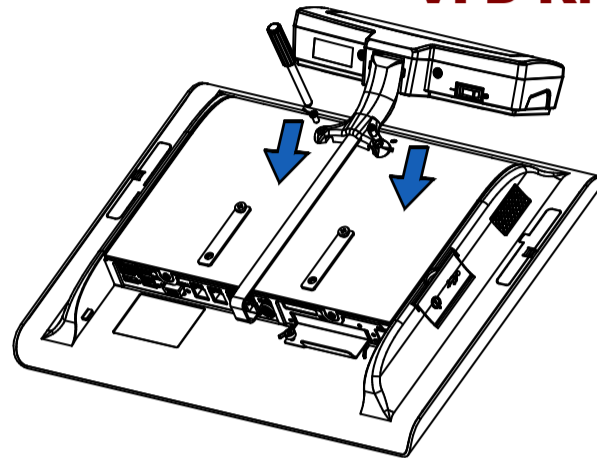
Step 1
Lay Panel PC on a clean plate and tighten 2 screws to fix VFD plate onto the back of Panel PC.

Step 2
Screw "VFD Kit" on Panel-PC and wire the "VFD cable" as drawing.

VFD Plate



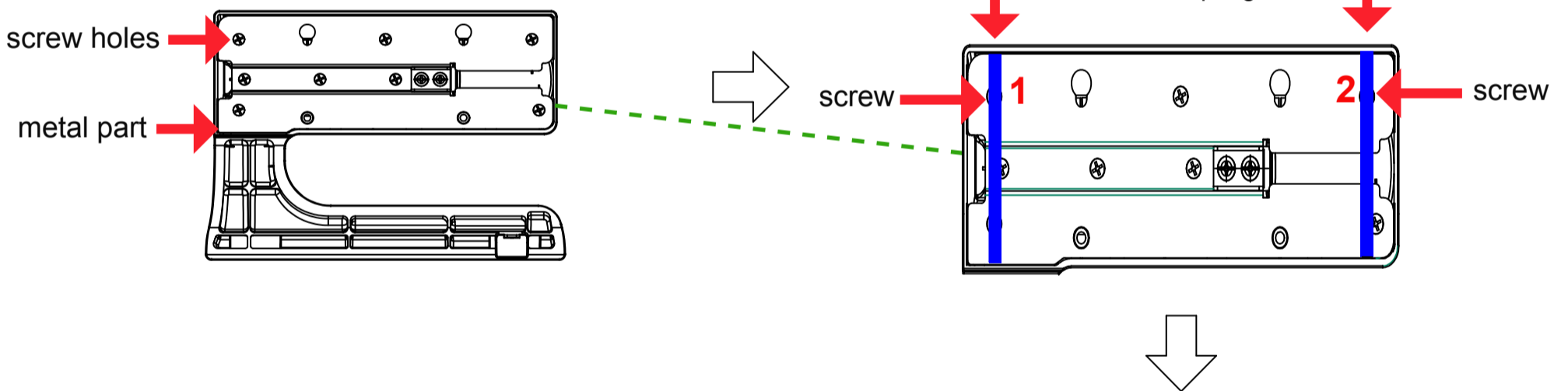
VFD Kit



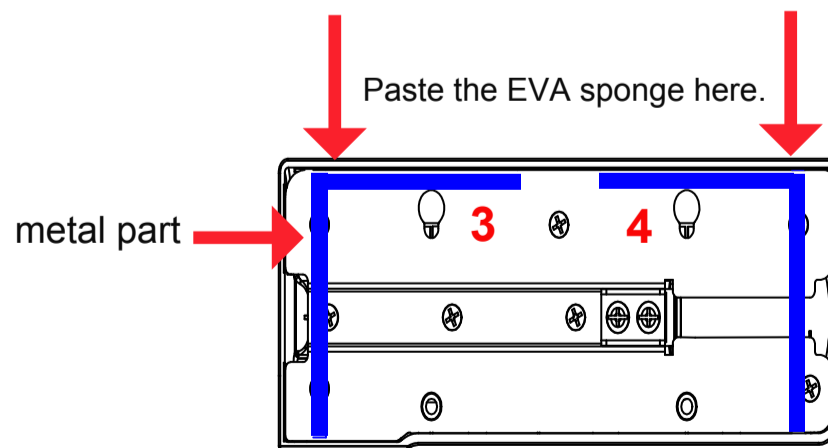
Step 3
Put the stand module in the position as shown below:

Step 3-1
Paste "EVA sponge" (blue) x 2 pcs over the screws. See 1, 2 as shown below:

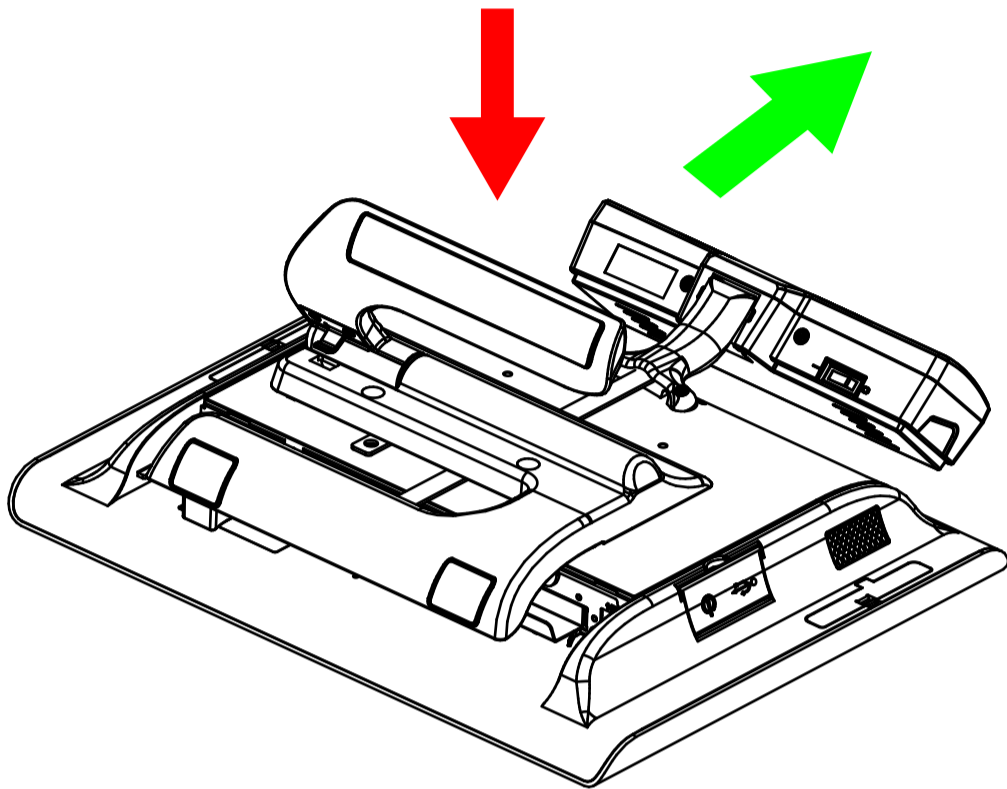
Stand module without EVA sponge pasted.



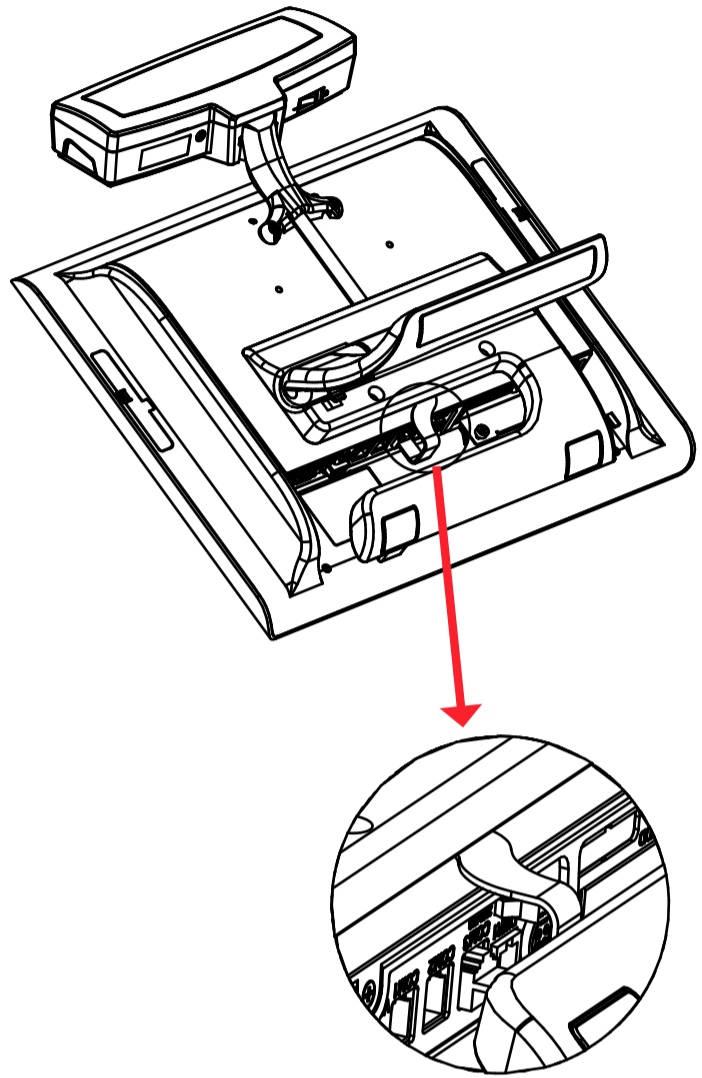
Step 3-2
Paste "EVA sponge" (blue) x 2 pcs along the edge of the upper side of the metal part of the stand module. See 3, 4 as marked below:



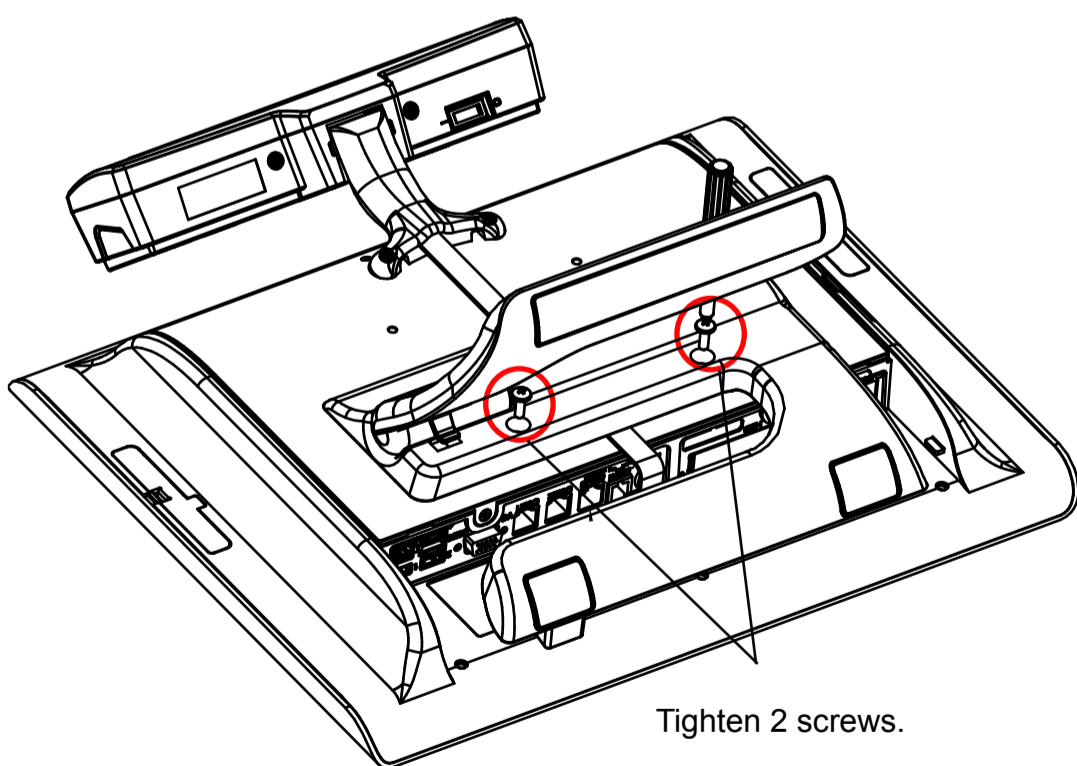
Step 4
Follow the arrow directions
to assemble the "stand module"
onto the back of the Panel-PC.



Step 5
Plug "VFD cable Connector" into COM3
port located on the rear side of Panel-PC.



Step 6
Tighten 2 screws into the screw
holes to secure the stand module
onto the back of Panel-PC.



Step 7
The VFD Kit assembly is completed.
Lift the system in an upright position.

