



15" Fanless Slim POS Terminal



Features

- Fanless design with Intel® Celeron® J6412 CPU
- 15" LCD display with bezel-free touchscreen
- Aluminum die casting back cover
- HDD easy maintenance design
- Versatile design for multiple applications
- MSR / i-Button / Fingerprint / Barcode Scanner / Camera (Optional)
- VESA 100 x 100 standard

Specifications

System	
CPU Support	Intel® Celeron® J6412 CPU
Memory	1 x DDR4 SO-DIMM (up to 16GB)
Network	10/100/1000/2.5GBASE-T
Power Supply	60/90 watt power adapter
Audio	2W speaker
System Weight	With power adapter approx. 7 kg (POS) / 3.8 kg (PPC)
Dimensions (W x H x D)	POS type: 375 x 370.62 x 286.8 mm (with 45 degrees) PPC type: 375 x 305 x 58.75 mm
O.S. Support	Windows® 11 IoT Enterprise / Windows® 10 IoT Enterprise
Storage	
SATA	1 x 2.5" HDD or SSD
I/O Ports	
USB	Rear: 2 x USB 2.0 / 2 x USB 3.0 + 1 x USB 2.0 (optional) Side: 1 x USB 2.0
Serial Ports	3 + 1 (optional) x RJ45 (all support +5V/12V selectable)
LAN	1 x RJ45
HDMI	1 x HDMI®
Line Out & Mic	2 x 3.5 mm phone jack (optional)
Cash Drawer	1 x RJ11 (+12V or +24V selectable)
DC In	1 x 4pin DC power jack
Add-ons	
Customer Display	VFD kit, 20 columns and 2 lines, each column is 5 x 7 dots
MSR & i-Button	ISO I,II,III; JIS II and support information key (USB interface)
Fingerprint	8-bit grayscale reader
Camera	2.0M pixel CMOS camera module
Barcode Scanner	1D: EAN-13, EAN-8, UPC-A, UPC-E, ISSN, ISBN, Codabar, Code 128, Code 93, ITF-6, ITF-14, Interleaved 2 of 5, Industrial 2 of 5, Standard 2 of 5, Matrix 2 of 5, GS1 Databar, Code 39, Code 11
	2D: PDF417, QR Code, Micro QR, Data Matrix, Chinese sensible code
Display	
LCD	15" TFT LCD
Max. Resolution	1024 x 768
Brightness	300 cd/m ²
Touchscreen	Bezel-free 5-wire analog resistive or projected capacitive
Tilt Angle	0-50 degrees
EMC & Safety	CE / FCC
Environment	
Operating Temp.	0°C~35°C
Storage Temp.	-20°C~60°C
Humidity	20%~90%

Application

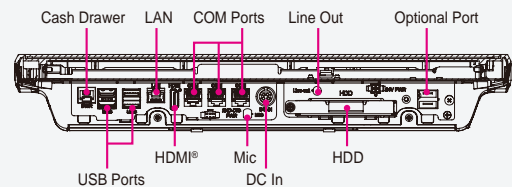
- Information
- Hospitality
- Food Service
- Retail



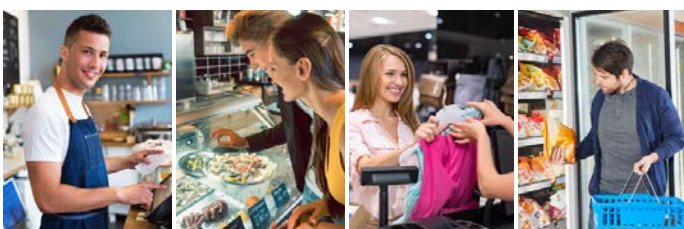
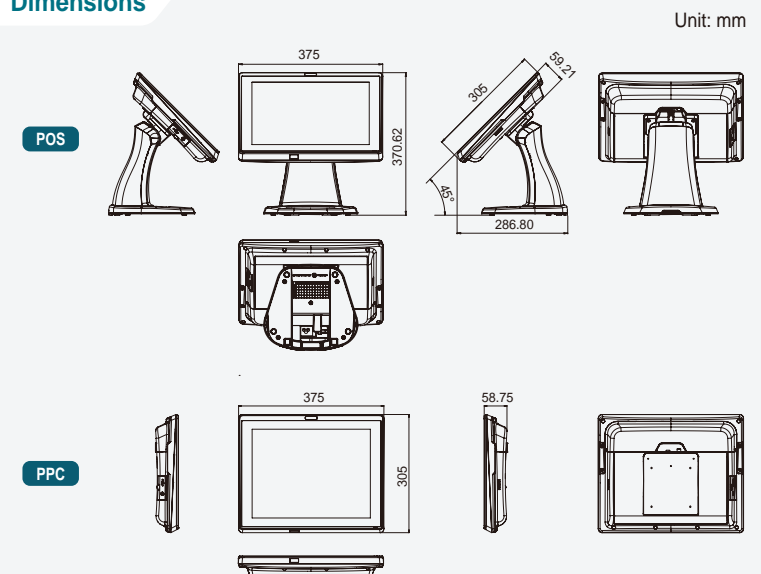
Highlights



System I/O Ports



Dimensions



* All information contained in this document is subject to change without prior notice. Please log on www.protech.com.tw to acquire latest information. For detail mechanics drawing, please contact our sales.