

PA-A903

intel partner
Titanium IoT Solutions



15.6" All-in-One POS Terminal



Specifications

System	
CPU Support	Intel® Celeron® J6412
Memory	DDR4, 1 x 260-pin SO-DIMM, Max.up to 32GB
Network	10/100/1000/2.5G Mbps
Power Supply	60/90 watt power adapter
Audio	2.5W speaker
System Weight	With power adapter approx. 5 kg
Dimensions (W x H x D)	372 x 169 x 315 mm
O.S. Support	Windows® 11 / Windows® 10
Storage	
SATA	SATA III
I/O Ports	
USB	Rear: 2 x USB 2.0 / 2 x USB 3.1 Side: 1 x USB 2.0
Serial Ports	3 x RJ-45 (COM1,2 support 5V/12V selectable by jumper), RS232 interface
LAN	1 x 2.5 GbE LAN (RJ45)
HDMI	1 x HDMI®
Cash Drawer	1 x RJ11 (+12V or +24V selectable)
DC In	1 x 4-pin DC power jack
Optional	1 x DB9 RS-232; 1 x DB-15 VGA interface; 1 x Line Out; 1 x Mic In;
Add-ons	1 x RJ11 Cash Drawer port
Customer Display	VFD, 20 columns and 2 lines, each column is 16 x 16 dots
Printer	2" or 3" easy loading thermal printer with auto-cutter
MSR & iButton	MSR: JIS I or II, ISO Track1+2+3 (USB interface); iButton: USB
Fingerprint	8 bits, 256 level for Gray Scale
Display	
LCD	15.6" TFT LCD
Resolution	1366 x 768
Brightness	220 cd/m ²
Touchscreen	15.6" capacitive touch panel, USB interface
Tilt Angle	40 degree
Environment	
EMC & Safety	CE / FCC
Operating Temp.	0°C~35°C
Storage Temp.	-20°C~85°C
Humidity	20%~90%



Features

- Fanless design with Intel® Celeron® J6412
- 15.6" LCD display with bezel-free capacitive touch
- Versatile design for multiple applications
- Optional MSR / i-Button / Fingerprint / VFD / RFID / 2" or 3" Thermal Printer / Barcode Scanner / Wireless LAN

Application

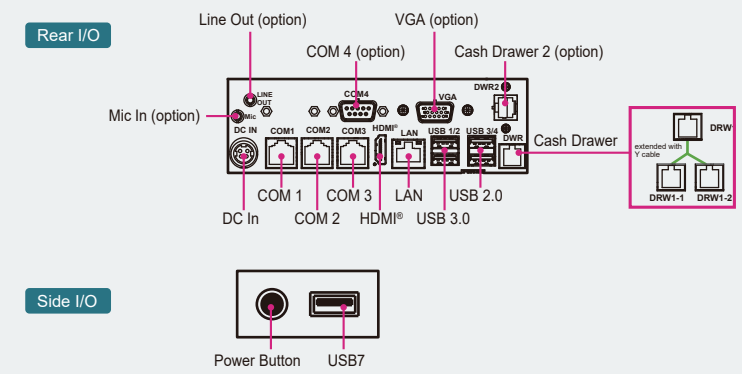
- Information
- Hospitality
- Food Service
- Banking
- Retail



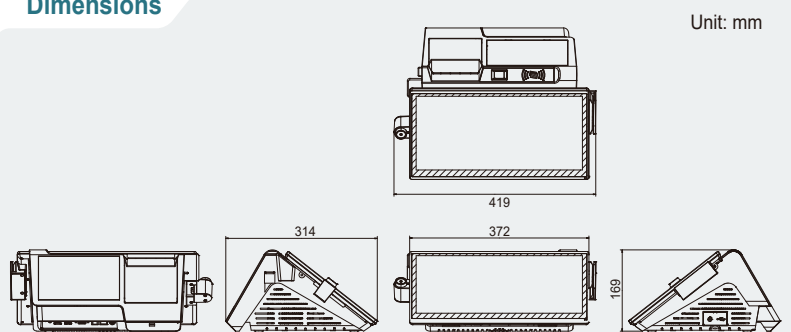
Highlights



System I/O Ports



Dimensions



* All information contained in this document is subject to change without prior notice. Please log on www.protech.com.tw to acquire latest information. For detail mechanics drawing, please contact our sales.

Protech Systems Co., Ltd.
No. 24, Lane 365, Yang Kuang Street,
Nei Hu District, Taipei 114, Taiwan
TEL: +886-2-8751-1111
E-mail:sales@protech.com.tw
<https://www.protech.com.tw>

Protech Japan Co., Ltd.
OSK Bldg, 6F, 6-25-14, Minami-ohi
Shinagawa-ku, Tokyo, 140-0013
TEL: +81-3-5753-8411
E-mail:sam@protech-j.com
<http://www.protech-j.com>

Protech Technologies Inc.
950 Fee Ana St., Suite B
Placentia, CA 92870
TEL: +1-714-996-7200
E-mail:sales@protech-usa.net
<http://www.protech-usa.net>

PROX SYSTEMS Germany GmbH
Weststrasse 20a, 40721 Hilden
Düsseldorf, Germany
TEL: +49 (0) 2103-41898-0
E-mail:sales@prox-systems.eu
<http://www.prox-systems.eu>

PROX SYSTEMS SPAIN S.L.
C/ Albasanz 14 Bis, 2ºD
28037 Madrid, Spain
TEL: (+34) 917648559
E-mail:sales.spain@prox-systems.com
<http://www.prox-systems.com>