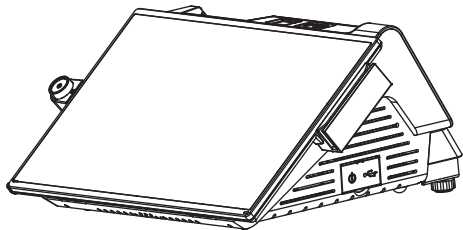


PA-A901

Quick Reference Guide



Ver. Q1

All Rights Reserved. Copyright 2019

Packing Checklist

If you discover any item below are damaged or lost, please contact your vendor immediately.

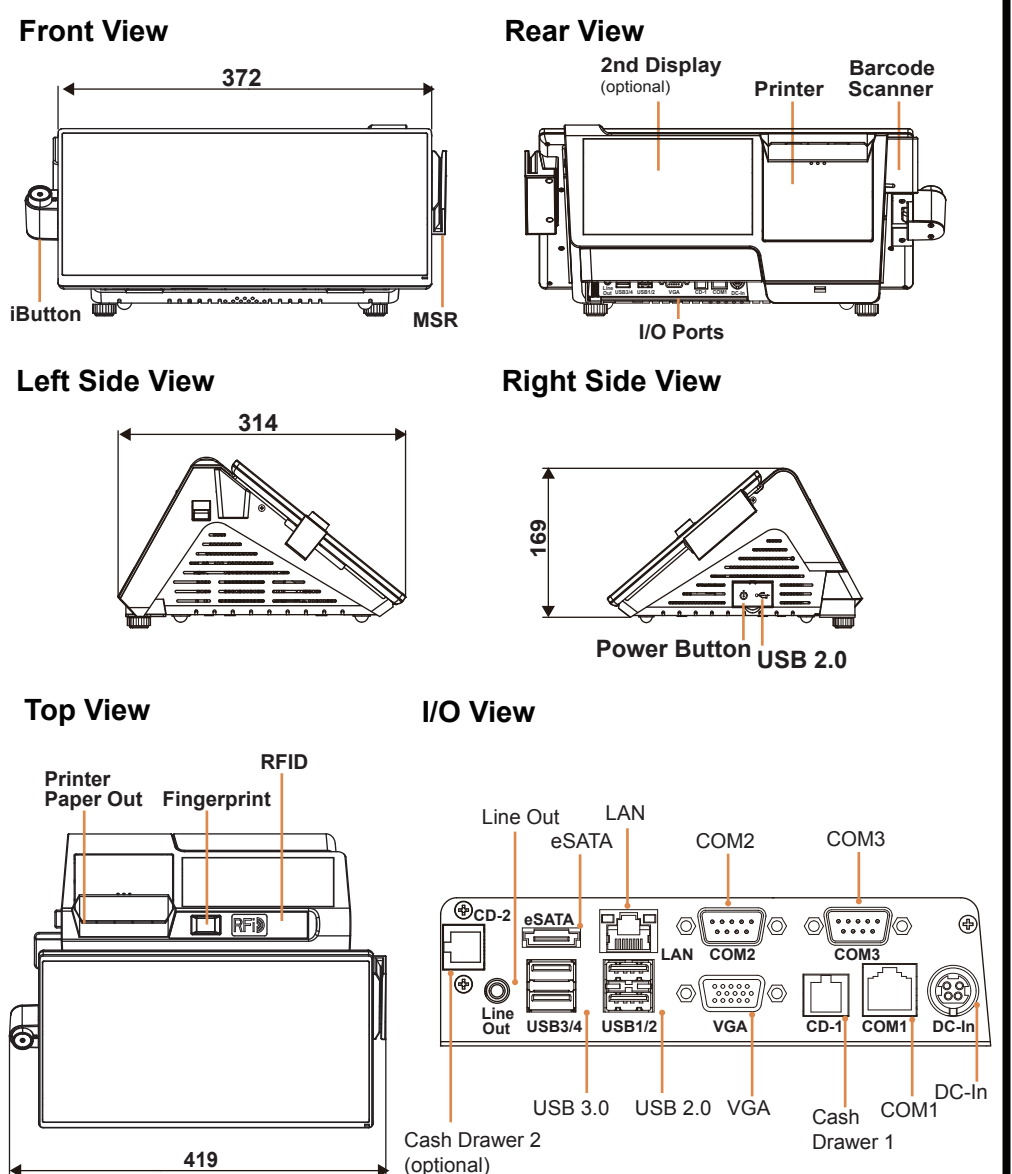
- PA-A901 x1
- This Quick Reference Guide x1
- AC Power Adaptor x1
- COM Port to RJ45 Cable (L =150mm) x1
- Manual/Driver CD x1

Specifications

		7th Gen. Skylake	6th Gen. Kabylake
System	CPU Support	Intel® Core™ i5-7500T Intel® Core™ i3-7101E Intel® Core™ i3-7101TE Intel® Pentium® G4560 Intel® Celeron® G3930TE	Intel® Core™ i5-6500 Intel® Core™ i3-6100 Intel® Celeron® G3900 Intel® Pentium® G4400
	Core Logic	Intel® H110 Chipset	
	Memory	1 x DDR4 SO-DIMM (1 slot, up to 8GB)	
	Network	Gigabit 10/100/1000 Base-T Fast Ethernet	
	Power Supply	120 ~150 watt power adapter	
	BIOS	AMI SPI BIOS, 8Mbits with VGA BIOS	
	System Weight	With power adapter approx. 5 kg	
	Dimensions (WxHxD)	372 x 169 x 315mm	
	O.S. Support	Windows 10 / Windows 7 Pro / POS Ready 7 / WES 7 * 7th Gen. processor supports Win 10 only.	
	Storage	HDD	1 x 2.5" HDD or SSD
I/O Ports	USB	Rear: 2 x USB 2.0 / 2 x USB 3.0 / Side: 1 x USB 2.0	
	Serial Ports	1 x RJ45 + 2 x DB9 (all support +5V/+12V selectable)	
	LAN	1 x RJ-45	
	VGA	1 x DB-15 VGA Interface	
	Cash Drawer	1 + 1 (option, with Y cable) x RJ11 (+12V/+24V selectable)	
	DC-In	1 x 4 pin DC Power Jack	
Add-Ons	Customer Display	VFD, 20 columns and 2 lines, each column is 16 x 16 dots	
	Printer	2" or 3" easy loading thermal printer with Auto-cutter	
	MSR & iButton	JIS I or II, ISO Track1+2+3 (PS/2 interface)	
	Fingerprint	8-bit grayscale reader	
Display	2nd Display	7" TFT LCD, resolution: 1024x600, brightness: 220 cd/m ²	
	LCD	15.6" TFT LCD	
	Resolution	1366 x 768	
	Brightness	220 cd/m ²	
	Touchscreen	15.6" P-CAP touch panel, USB interface	
Environment	Tilt Angle	40 degrees	
	EMC & Safety	CE / FCC	
	Operating Temp.	0°C ~ 35°C (32°F ~ 95°F)	
	Storage Temp.	-5°C ~ 60°C (23°F ~ 140°F)	
Humidity	20% ~ 90%		

System View

Unit: mm



PA-A901

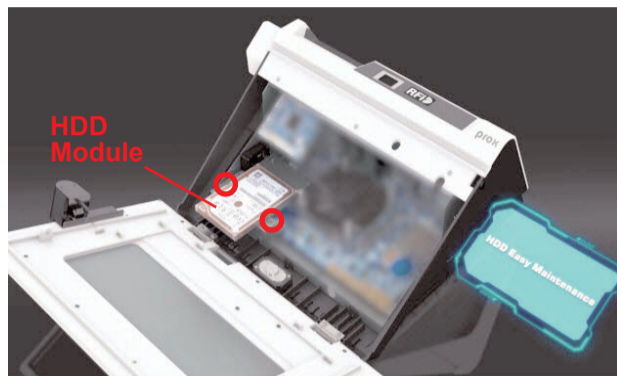
Highly Integrated and High Performance 15.6" POS Terminal

Easy Maintenance

Step 1: Unfasten the two screws on both sides of the LCD Display, and open and rotate the LCD Display cover downwards as shown:



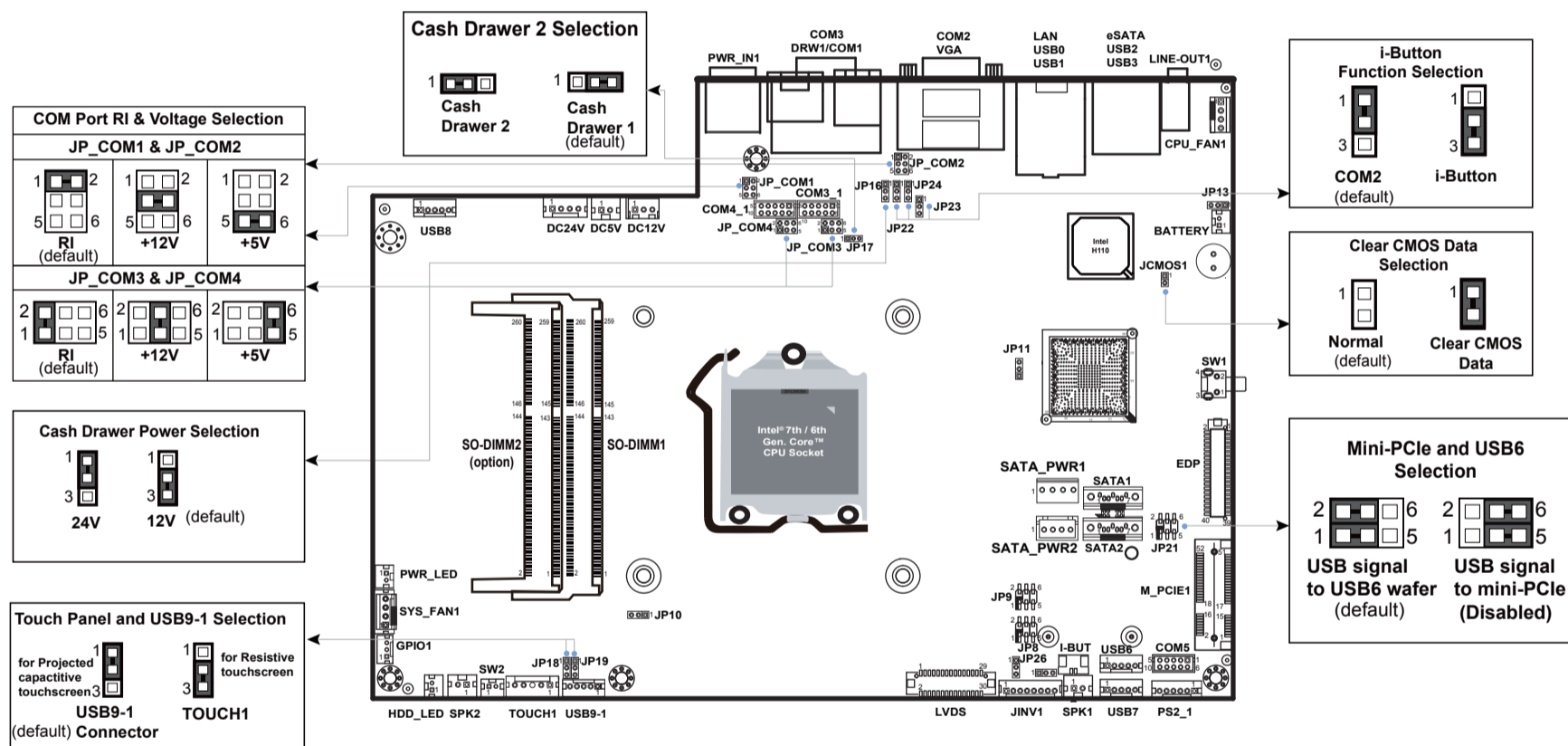
Step 2: Remove the 2 screws on the HDD tray as shown:



Step 3: Take out the HDD module to complete.



Jumper Setting



Safety Precaution

The following messages are reminders for safety on how to protect your systems from damages and to extend a long life of the system.

1. Check the Cable Voltage

- Make sure the range of operating voltage between AC 100V ~ 240V. Otherwise, the system could be damaged.

2. Environmental Conditions

- Place your PA-A901 on a sturdy, level surface. Be sure to allow enough space to have easy access around the system.
- Avoid extremely hot or cold place to install the system.
- Avoid exposure to sunlight for a long period of time or in an airtight space.
- Avoid the system from any heating device or using it outdoors in a cold winter day.
- Bear in mind that the operating ambient temperature is from 0°C ~ 35°C (32°F ~ 95°F).
- Avoid moving the system rapidly from a hot place to a cold place and vice versa because condensation may come from inside of the system.
- Place PA-A901 in strong vibration(s) may cause hard disk failure.
- Don't place the system close to any radio active device in case of signal interference.

3. Handling

- If the system isn't fully in DOS mode, adjust BIOS setting as the instruction: Advanced Chipset Feature => Boot display => choose "LFP".
- Avoid putting heavy objects on top of the system.
- Don't turn the system upside down. This may cause the hard drive to malfunction.

- Don't allow foreign objects to fall into this product.
- If water or other liquid spills into this product, unplug the power cord immediately.

4. Good Care

- When the outside of the case is stained, remove the stain with a neutral washing agent with a dry cloth.
- Never use strong agents such as benzene and thinner to clean the system. If heavy stains are present, moisten a cloth with diluted neutral washing agent or with alcohol and then wipe thoroughly with a dry cloth.
- If dust has been accumulated on the outside, remove it by using a special made vacuum cleaner for computers.
- Don't contact the surface of capacitive touch before entering your operation system, or capacitive touch may have position problems for electrostatics interface.
- Don't exchange the M/B battery by yourself or serious damage may incur.

CAUTION! Danger of explosion if battery is incorrectly replaced. Replace only with the same or equivalent type recommended by the manufacturer. Dispose of used batteries according to the manufacturer's instructions.

WARNING! Some internal parts of the system may have high electrical voltage. And therefore we strongly recommend that qualified engineers can open and disassemble the system. The LCD and Touchscreen are easily breakable, please handle them with extra care.