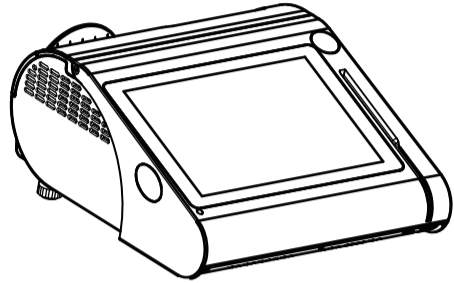


PA-A310

Quick Reference Guide



Ver. Q1

All Rights Reserved. Copyright 2019

Packing Checklist

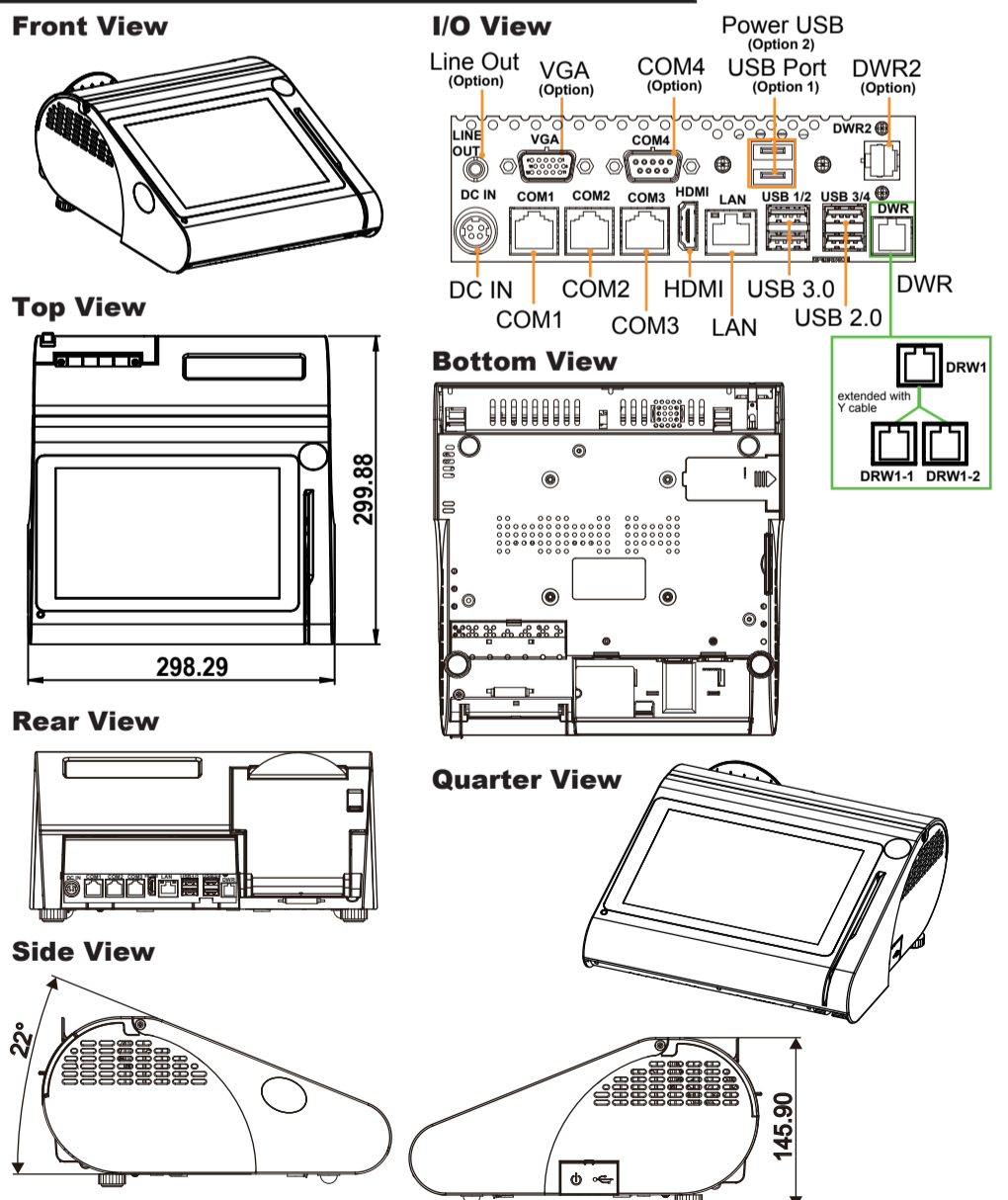
If you discover any item below was damaged or lost, please contact your vendor immediately.

- PA-A310 X 1
- This Quick Reference Guide X 1
- AC Power Cord (Optional) X 1
- Driver DVD X 1
- MSR Card Reader (Optional) X 1
- i-Button + MSR Card Reader (Optional) X 1
- Barcode Scanner (Optional) X 1
- Wireless LAN (IEEE 802.11 b+g) (Optional) X 1
- VFD (Optional) X 1

Specifications

System	CPU Support	Intel®Celeron® J3355 / 3455 CPU
	Memory	1 x DDR3L SO-DIMM slot (up to 8GB)
	Network	10/100/1000Mbps Base-T Fast Ethernet
	Power Supply	60~90 Watt Power Adapter
	Audio	2W Speaker
	System Weight	with power adaptor approx. 4 kg
	Dimensions (WxHxD)	299 x 148 x 300mm
Storage	SATA	1 x 2.5" HDD or SSD 1 x M.2 2242 (SATAIII interface)
	USB	Rear: 2 x USB 3.0 + 2 x USB 2.0 (optional) 2 x USB 2.0 + 1 x power USB (+12V/+24V) Side: 1 x USB 2.0
I/O Ports	Serial Ports	3 x RJ45 (support +5V/12V selectable) + 1 (optional) x DB9
	LAN	1 x RJ45
	VGA	1 x DB15
	HDMI	1 x HDMI
	Cash Drawer	1+1(option, with Y cable) x RJ11 (+12V or +24V selectable)
	Line Out	1 (optional) x phone jack
	DC IN	1 x 4-pin DC Power Jack
	Add-ons	Customer Display
Printer		2" or 3" easy loading thermal printer with auto-cutter
MSR & iButton		JIS I,II , ISO Track1+2+3 (PS/2 interface)
Fingerprint		8-bit grayscale reader
Display	LCD	10.1" TFT LCD
	Resolution	1280 x 800
	Brightness	400 cd/m ²
	Touchscreen	10.1" Capacitive Touch panel, USB I/F (EETI controller)
	Tilt Angle	24 ~ 30 degrees
Environment	EMC & Safety	CE / FCC
	Operating Temp.	0°C ~ 35°C (32°F ~ 95°F)
	Storage Temp.	-5°C ~ 60°C (23°F ~ 140°F)
	Humidity	20% ~ 90%

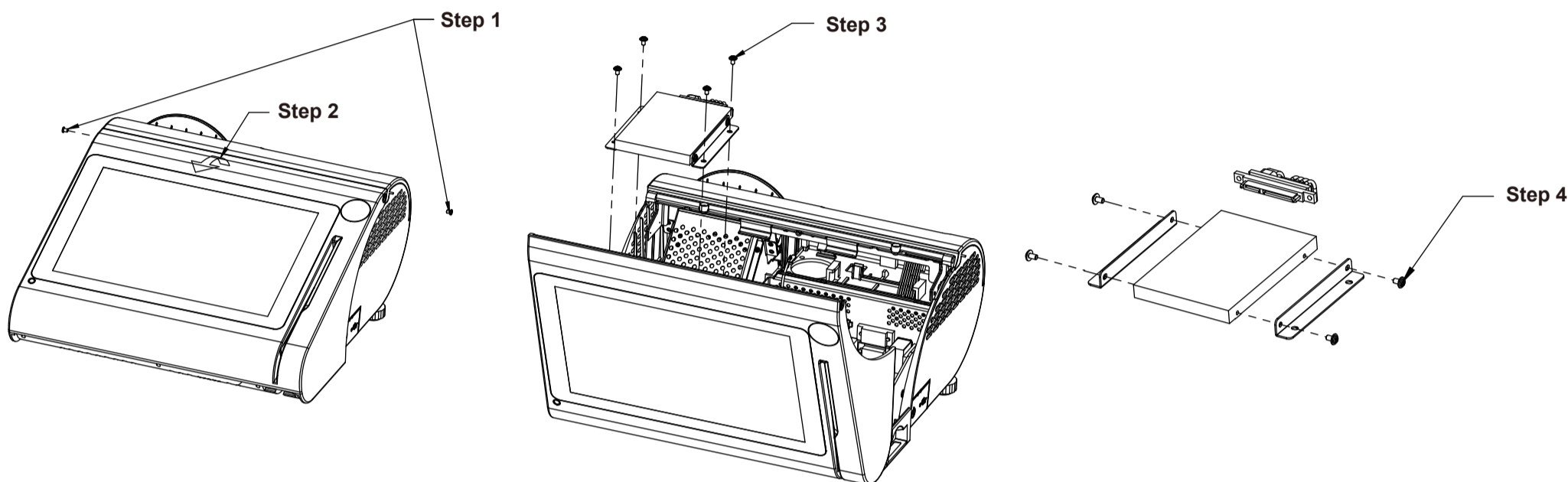
System View



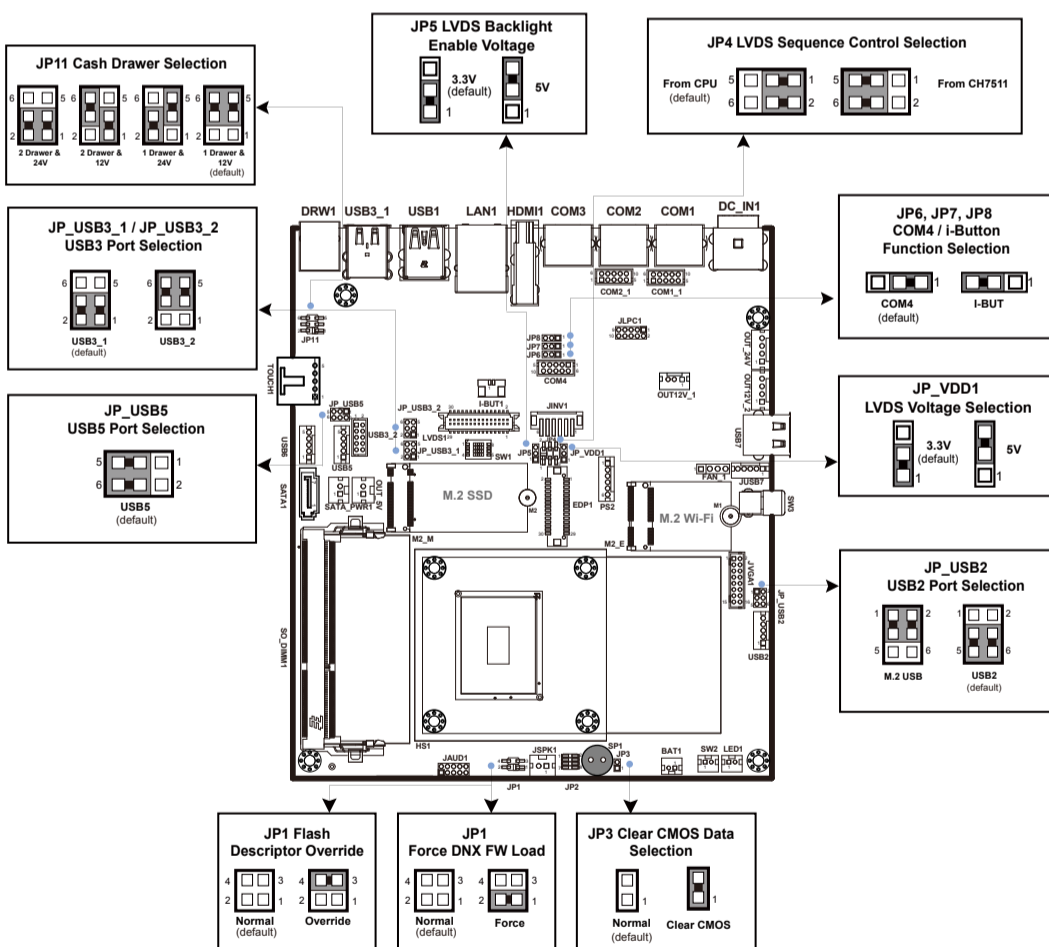
PA-A310

The One-of-a-kind Highly Integrated Fanless 10.1" POS Terminal

Easy Maintenance



Jumper Setting



Serial Port 1 Configuration

Serial Port [Enabled]
Device Settings IO=2F8h; IRQ=3;
Change Settings [Auto]
COM Voltage [Ring]

COM1 / COM2 voltage adjustment:

The voltage of external COM1 & COM2 can be adjusted via BIOS for your convenience.

Safety Precaution

The following messages are safety reminders on how to protect your system from damages, and extend the life cycle of the system.

1. Check the Line Voltage

- Make sure the operating voltage range is between 100V and 240V AC; otherwise, the system could be damaged.

2. Environmental Conditions

- Place your PA-A310 on a sturdy, level surface. Be sure to allow enough space around the system to have easy access needs.
- Avoid installing the system in extremely hot or cold places.
- Avoid exposure to sunlight for a long period of time or in an airtight room.
- Also, avoid the system from any heating device or using the PA-A310 when it has been left outdoors in a cold winter day.
- Avoid moving the system rapidly from a hot place to a cold place, and vice versa, because condensation may occur inside the system.
- Operate the PA-A310 in strong vibration may cause hard disk failure.
- Do not place the system too close to any radio-active device. Radio-active device may cause signal interference.
- Always shut down the operating system before you turn off the power.

3. Handling

- Avoid placing heavy objects on the top of the system.
- Do not turn the system upside down. This may cause the hard drive to malfunction.
- Do not allow any objects to fall into this product.
- If water or other liquid spills into this product, unplug the power cord immediately.

4. Good Care

- When the outside case gets stained, remove the stains using neutral washing agent with a dry cloth.
- Never use strong agents such as benzene and thinner to clean the surface of the case.
- If heavy stains are present, moisten a cloth with diluted neutral washing agent or alcohol and then wipe thoroughly with a dry cloth.
- If dust is accumulated on the case surface, remove it using a special vacuum cleaner for computers.
- Do not replace the motherboard battery by yourself, or serious damage may occur.

CAUTION! Danger of explosion if battery is incorrectly replaced. Replace only with the same or equivalent type recommended by the manufacturer. Dispose of used batteries according to the manufacturer's instructions.

WARNING! Some internal parts of the system may have high electrical voltage. Therefore we strongly recommend qualified engineers open and disassemble the system. The LCD and touchscreen are easily breakable; please handle them with extra care.