

PA-A310

Highly Integrated Fanless All in One 10.1" POS Terminal



Features



- Fanless design with Intel® Celeron® J3455 CPU
- 10.1" LCD display with bezel-free capacitive touch
- Versatile design for multiple applications
- MSR / i-Button / Fingerprint / VFD / RFID / 2" or 3" thermal printer / barcode scanner / wireless LAN (Optional)

Specifications



System	CPU Support	Intel® Celeron® J3455 CPU
	Memory	1 x DDR3L SO-DIMM slot (up to 8GB)
	Network	Gigabit 10/100/1000 Base-T Fast Ethernet
	Power Supply	60~90 watt power adapter
	Audio	2W speaker
	System Weight	With power adapter approx. 4 kg
	Dimensions (W x H x D)	299 x 148 x 300 mm
	O.S. Support	Windows® 10
	Storage	SATA
I/O Ports	USB	Rear: 2 x USB 2.0 2 x USB 3.0 + 1 (optional) x power USB (+12V/+24V) Side: 1 x USB 2.0
	Serial Ports	3 x RJ45 (all support +5V/+12V selectable) + 1 (optional) x DB9
	LAN	1 x RJ45
	VGA	1 x DB15
	HDMI	1 x HDMI®
	Cash Drawer	1 + 1 (option, with Y cable) x RJ11 (+12V or +24V selectable)
	DC In	1 x 4 pin DC power jack
	Line Out	1 (optional) x phone jack
Add-ons	Customer Display	VFD, 20 columns and 2 lines, each column is 5 x 7 dots
	Printer	2" or 3" easy loading thermal printer with auto-cutter
	MSR & iButton	JIS I or II, ISO Track1+2+3 (PS/2 interface)
	Fingerprint	8-bit grayscale reader
Display	LCD	10.1" TFT LCD
	Resolution	1280 x 800
	Brightness	400 cd/m ²
	Touchscreen	10.1" capacitive touch panel, USB interface (EETI controller)
	Tilt Angle	24~30 degrees
Environment	EMC & Safety	CE / FCC
	Operating Temp.	0°C~35°C
	Storage Temp.	-5°C~60°C
	Humidity	20%~90%

*Panel LED Backlight operating life time: 30,000 hrs (Ta=25°C), if Ta=35°C, Panel LED Backlight will be reduced to: 26,000 hrs.

*All information contained in this document is subject to change without prior notice. Please log on www.protech.com.tw to acquire latest information.

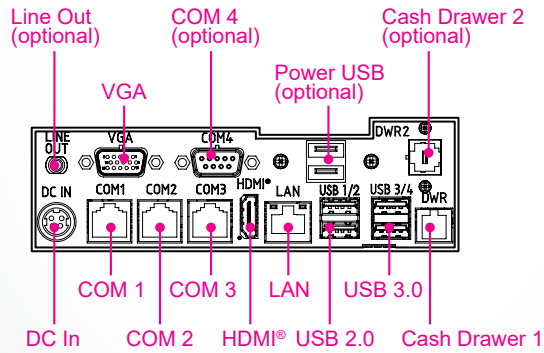
Applications

- Retail
- Food Service
- Banking
- Information
- Hospitality

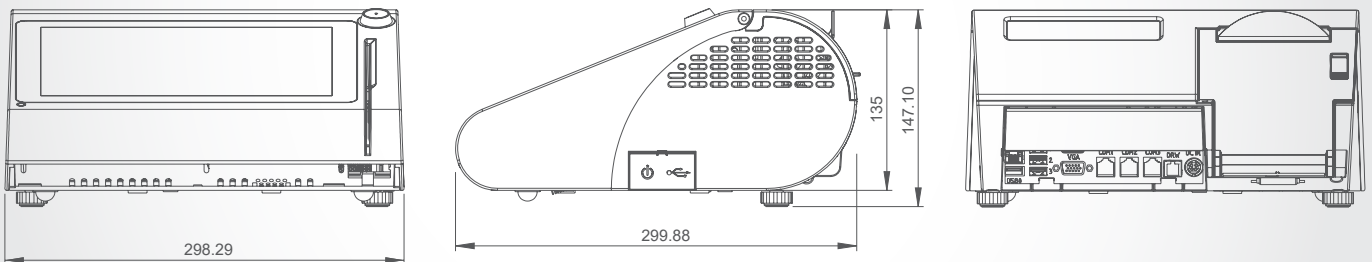
Highlights



System I/O Ports



Dimensions



unit: mm