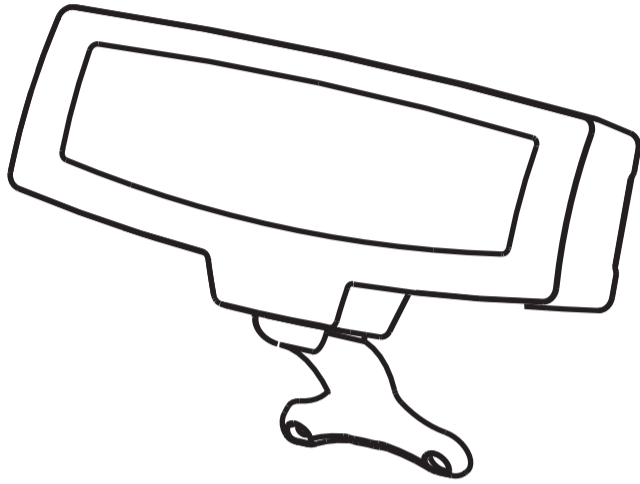


## EasyStand PA-6322 VFD Installation



Manual ver Q1

All Right Reserved Copyright 2016

If you discover any item below was damaged or lost, please contact your vendor.

### Packing List

- |  |     |
|--|-----|
| <input checked="" type="checkbox"/> VFD kit (Assembled Cable)  | X 1 |
| <input checked="" type="checkbox"/> This Quick Reference Guide | X 1 |

## PA-6322 VFD Installation

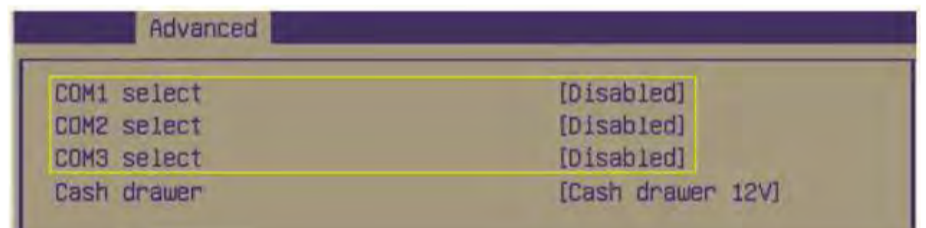
### Set BIOS For VFD **power supply**

1-1 When the system is powered on, the BIOS will enter the Power-On Self Test (POST) routines and the following message will appear on the lower screen:



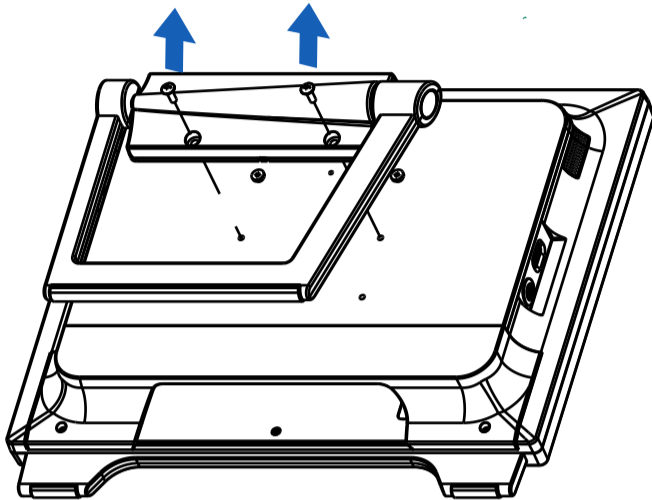
As long as this message is present on the screen, you may press the <Del> key to access the Setup program.

1-2 Move the cursor by up/down keys to highlight the [Advanced] => [Voltage/RI Adjust Configuration] menu items.

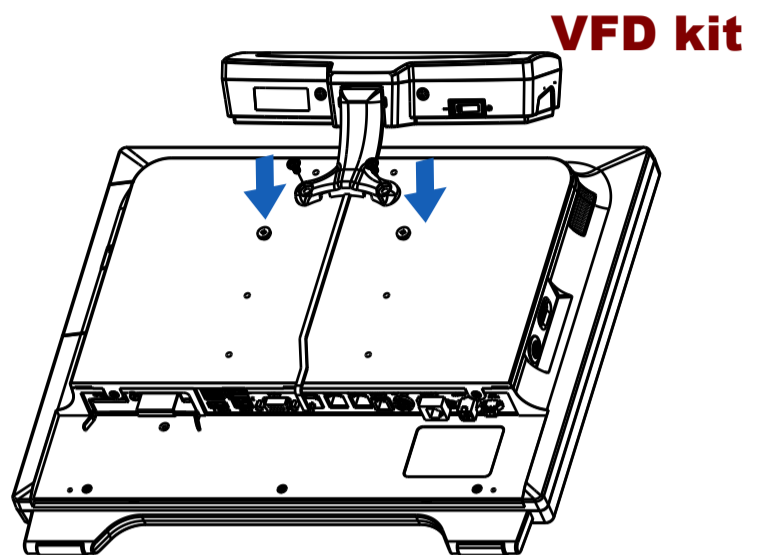


1-3 Move the cursor to [COM1 select], change the COM1 setting to [12V] from [Disabled].

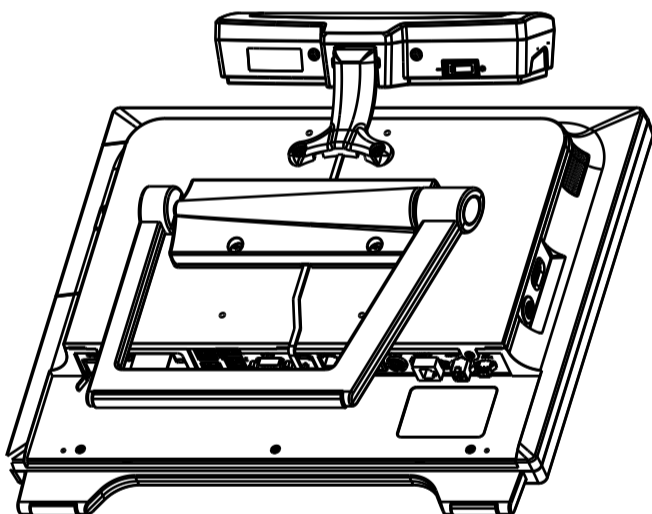
**Step 1**  
Lay System down on clean plate.  
To disassemble "EasyStand" and  
its screws as drawing.



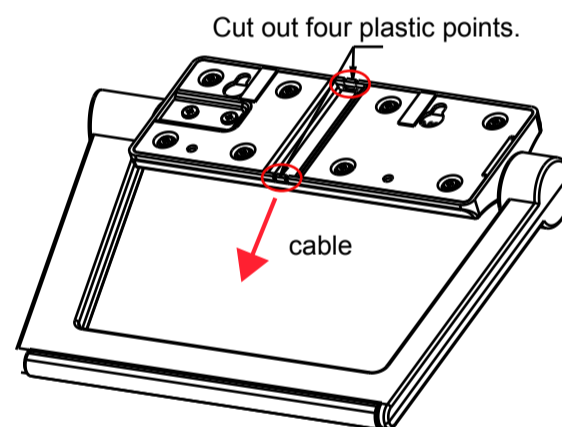
**Step 2-1**  
Screws "VFD kit" on Panel-PC, then to  
wire the "VFD's cable" as drawing.



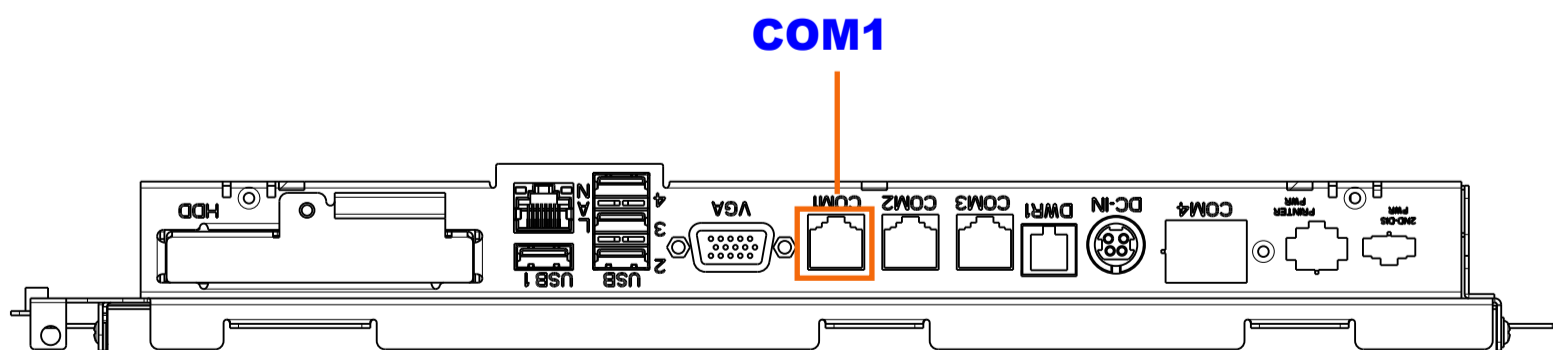
**Step 3**  
Assemble "EasyStand" to Panel-PC  
and its screws as drawing.



**Step 2-2**  
Use a "Scissor" to remove four plastic points  
as shown and put the cable into the slot.

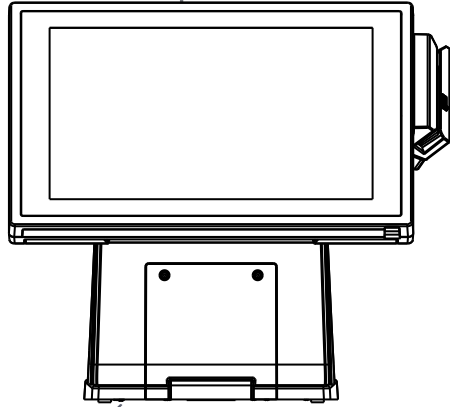


**Step 4**  
Plug "RJ45 connector of VFD's cable" in COM1 port as drawing.



# PA-6322

## Quick Reference Guide



Ver Q1

All Right Reserved Copyright 2016

## Packing Checklist

If you discover any item below was damaged or lost, please contact your vendor.

- PA-6322 X 1
- This Quick Reference Guide X 1
- Power Adaptor X 1
- AC Power Cord X 1
- Driver CD X 1
- Option X 1

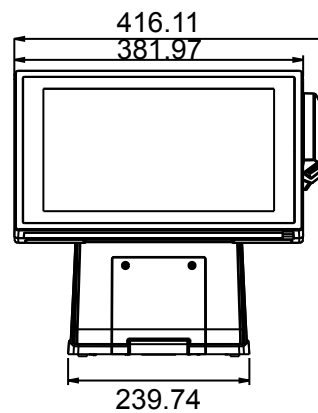
## PA-6322

## Specifications

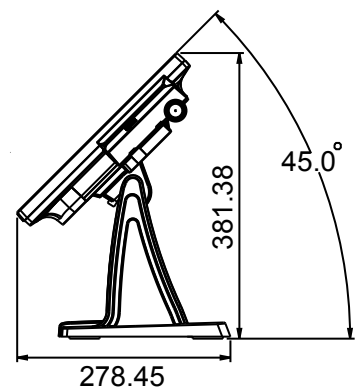
<b>System</b>	CPU Support	Intel® Celeron® J1900 Quad-Core 2.0GHz
	Memory	1 x DDR3L SO-DIMM 204-pin socket, up to 8GB
	Network	10/100/1000 Base-T Fast Ethernet
	Power Supply	60-90 Watt power adaptor
	Audio	2 Watt speaker
	System Weight	Easy stand with power adaptor approx. 9.5 kg
	Dimension	382 x 381 x 278 mm (with 45 degree)
	O.S. Support	Win8 Industry Pro Retail / POSReady7
	BIOS	AMI SPI BIOS, 8 Mbits with VGA BIOS
	RTC Accuracy	3 days +/- 3 seconds
<b>Storage</b>	SATA	1 x 2.5" HDD or SSD
<b>I/O Ports</b>	USB	on rear 3 x USB 2.0, 1 x USB 3.0 on side bezel 1 x USB 2.0
	Serial Ports	3 + 1 (optional) x RJ45 (all support +5V/12V selectable)
	LAN	1 x RJ45
	VGA	1 x DB15
	Cash Drawer	1 + 1(option, with Y cable) x RJ11 (+12V or +24V selectable)
	DC-in	1 x 4pin DC Power Jack
<b>Peripheral</b>	Customer Display	VFD, 20 columns and 2 lines, each column is 5 x 7 dots
	Printer	2" or 3" easy loading thermal printer with Auto cutter
	MSR & iButton	JIS-I or II, ISO Track1+2+3 (PS/2 interface)
	2 <sup>nd</sup> Display	8" or 10.4" LCD
<b>Display</b>	Fingerprint	8-bit grayscale reader
	LCD	15" TFT LCD
	Resolution	1024 x 768 / Signal Interface: TTL (24-bit)
	Brightness	Resistive Touchscreen: minimum: 160 cd/m <sup>2</sup> Projected Capacitive: Touchscreen: minimum: 180 cd/m <sup>2</sup>
	Touch Screen	Non Bezel-free 5-wire Analog resistive Bezel-Free 5-wire Analog resistive or Projected Capacitive
<b>Environment</b>	Tilt Angle	45-65 degree with easy stand 0-68 degree with normal stand 0-50 degree with printer stand
	EMC & Safety	CE / FCC
	Operating Temp.	0° C ~ 35° C
	Storage Temp.	-5° C ~ 60° C
	Humidity	20% ~ 90%

## System View

### Front View

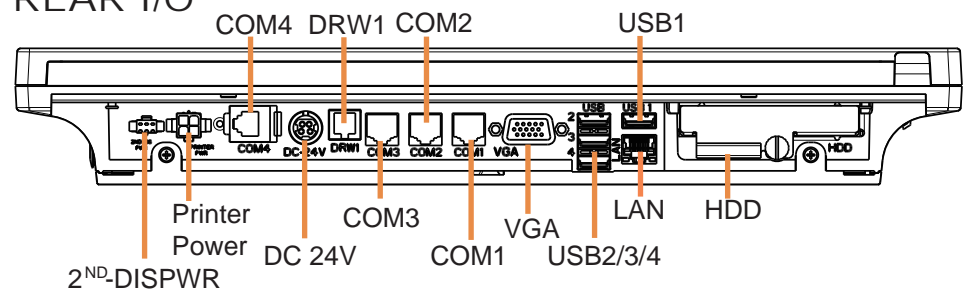


### Side View

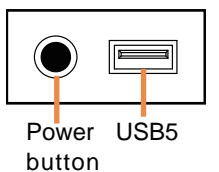


Unit: mm

### REAR I/O



### SIDE I/O



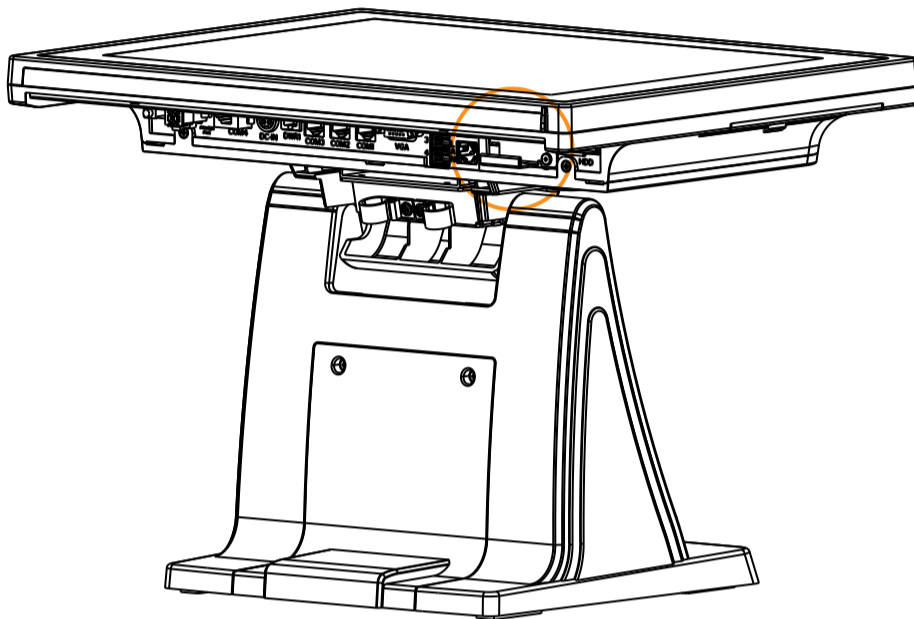
# PA-6322

## 15" Fanless POS Terminal with Intel® Celeron J1900

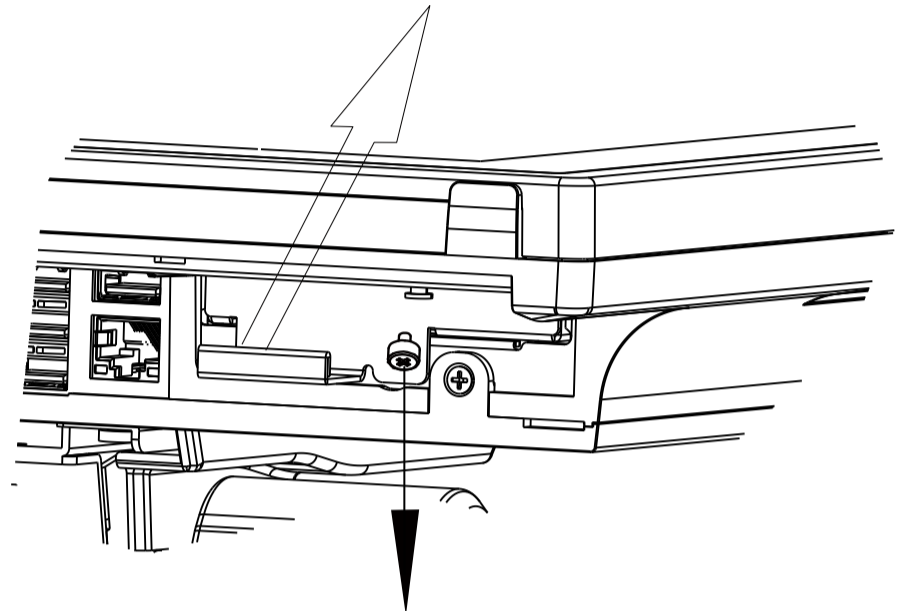
### Easy Maintenance

#### HDD Maintenance

**Step 1.**  
Adjust LCD angle to zero degree.



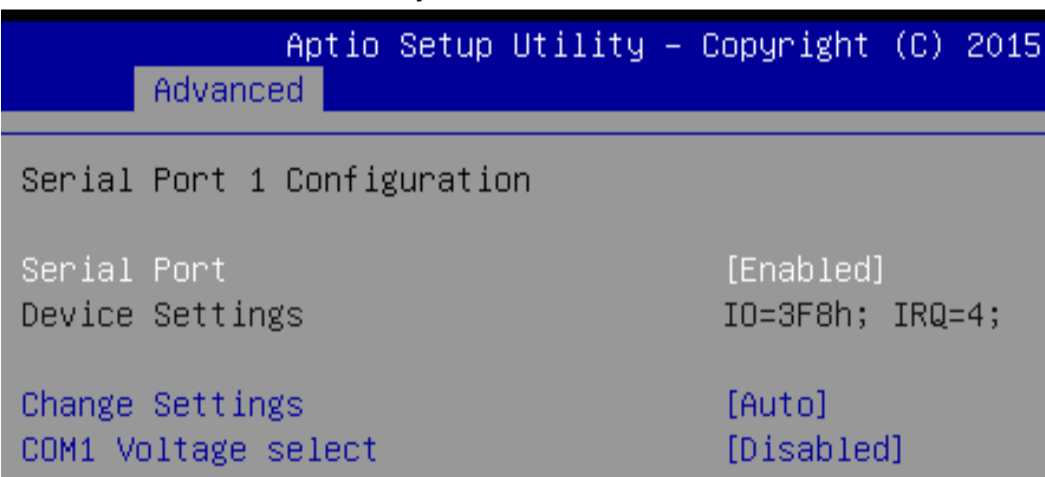
**Step 3.**  
Pull out HDD tray.



**Step 2.**  
Unassemble the HDD fixing screw.

### COM/Cash Drawer

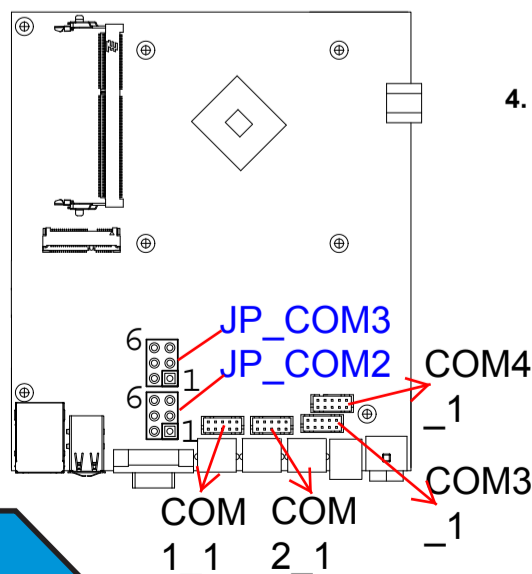
Voltage of external "COM1" & "COM4" ports and "Cash Drawer" port are made to control on BIOS for your convenience.



BIOS Setting	Options	Description
COM1 Voltage select	-Disabled -12V -5V	Disable or select COM1 Voltage 12V/5V

Left port "COM2" & "COM3" which voltage are set by "JP\_COM2", "JP\_COM3" jumper on board.

SELECTION	JUMPER SETTING	JUMPER ILLUSTRATION
RI	1-2	 <b>JP_COM2</b>
		 <b>JP_COM3</b>
+12V	3-4	 <b>JP_COM2</b>
		 <b>JP_COM3</b>
+5V	5-6	 <b>JP_COM2</b>
		 <b>JP_COM3</b>



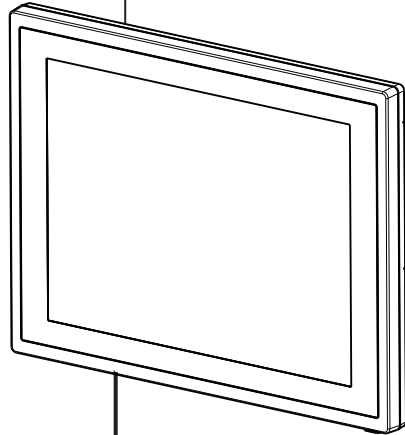
### Safety Precaution

The following messages are safety reminders on how to protect your system from damages, and extend the life cycle of the system.

- 1. Check the Line Voltage**
  - Make sure the operating voltage range is between 100V and 240V AC; otherwise, the system could be damaged.
- 2. Environmental Conditions**
  - Place your PA-6322 on a sturdy, level surface. Be sure to allow enough space around the system to have easy access needs.
  - Avoid installing the system in extremely hot or cold places.
  - Avoid exposure to sunlight for a long period of time or in an airtight room.
  - Also, avoid the system from any heating device or using the PA-6322 when it has been left outdoors in a cold winter day.
  - Bear in mind that the operating ambient temperature is between 0°C and 35°C (32°F~ 95°F).
  - Avoid moving the system rapidly from a hot place to a cold place, and vice versa, because condensation may occur inside the system.
  - Operate the PA-6322 in strong vibration may cause hard disk failure.
  - Do not place the system too close to any radio-active device. Radio-active device may cause signal interference.
  - Always shut down the operating system before turning off the power.
- 3. Handling**
  - Avoid placing heavy objects on the top of the system.
  - Do not turn the system upside down. This may cause the hard drive to malfunction.
  - Do not allow any objects to fall into this product.
  - If water or other liquid spills into this product, unplug the power cord immediately.
- 4. Good Care**
  - When the outside case gets stained, remove the stains using neutral washing agent with a dry cloth.
  - Never use strong agents such as benzene and thinner to clean the surface of the case.
  - If heavy stains are present, moisten a cloth with diluted neutral washing agent or alcohol and then wipe thoroughly with a dry cloth.
  - If dust is accumulated on the case surface, remove it using a special vacuum cleaner for computers.
  - Do not replace the motherboard battery by yourself, or serious damage may occur.

# PA-6322

## Quick Reference Guide



Ver Q1

All Right Reserved Copyright 2016

## Packing Checklist

If you discover any item below was damaged or lost, please contact your vendor.

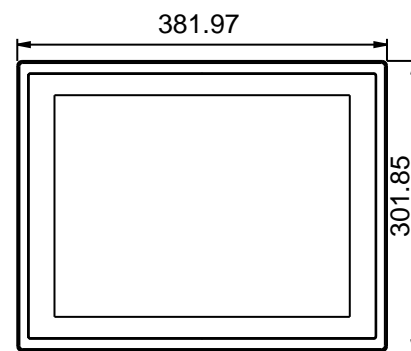
- PA-6322 X 1
- This Quick Reference Guide X 1
- Power Adaptor X 1
- AC Power Cord X 1
- Driver CD X 1
- Option X 1

## Specifications

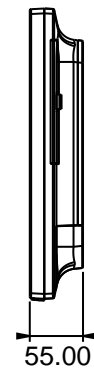
<b>System</b>	CPU Support	Intel® Celeron® J1900 Quad-Core 2.0GHz
	Memory	1 x DDR3L SO-DIMM 204-pin socket, up to 8GB
	Network	10/100/1000 Base-T Fast Ethernet
	Power Supply	60-90 Watt power adaptor
	Audio	2 Watt speaker
	System Weight	Easy stand with power adaptor approx. 6 kg
	Dimension	382 x 310 x 55 mm
	O.S. Support	Win8 Industry Pro Retail / POSReady7
	BIOS	AMI SPI BIOS, 8 Mbits with VGA BIOS
	RTC Accuracy	3 days +/- 3 seconds
<b>Storage</b>	SATA	1 x 2.5" HDD or SSD
<b>I/O Ports</b>	USB	on rear 3 x USB 2.0, 1 x USB 3.0 on side bezel 1 x USB 2.0
	Serial Ports	3 + 1 (optional) x RJ45 (all support +5V/12V selectable)
	LAN	1 x RJ45
	VGA	1 x DB15
	Cash Drawer	1 + 1(option, with Y cable) x RJ11 (+12V or +24V selectable)
	DC-in	1 x 4pin DC Power Jack
<b>Peripheral</b>	MSR & iButton	JIS-I or II, ISO Track1+2+3 (PS/2 int)
	Fingerprint	8-bit grayscale reader
<b>Display</b>	LCD	15" TFT LCD
	Resolution	1024 x 768 / Signal Interface: TTL (24-bit)
	Brightness	Resistive Touchscreen: minimum: 160 cd/m <sup>2</sup> Projected Capacitive: Touchscreen: minimum: 180 cd/m <sup>2</sup>
	Touch Screen	Non Bezel-free 5-wire Analog resistive Bezel-Free 5-wire Analog resistive or Projected Capacitive
<b>Environment</b>	EMC & Safety	CE / FCC
	Operating Temp.	0° C ~ 35° C
	Storage Temp.	-5° C ~ 60° C
	Humidity	20% ~ 90%

## System View

Front View

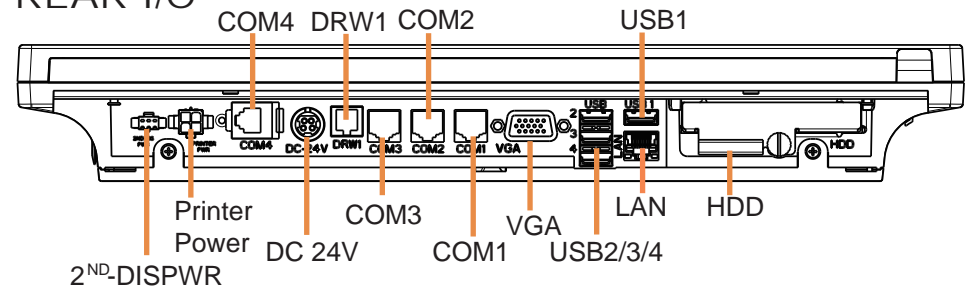


Side View

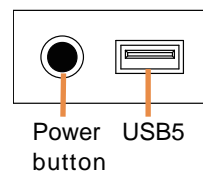


Unit: mm

REAR I/O



SIDE I/O



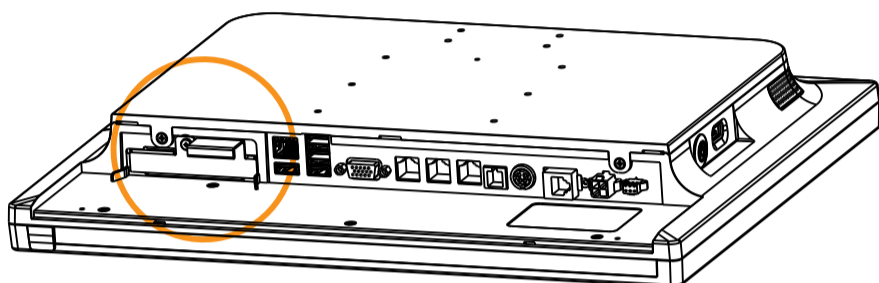
# PA-6322

## 15" Fanless POS Terminal with Intel® Celeron J1900

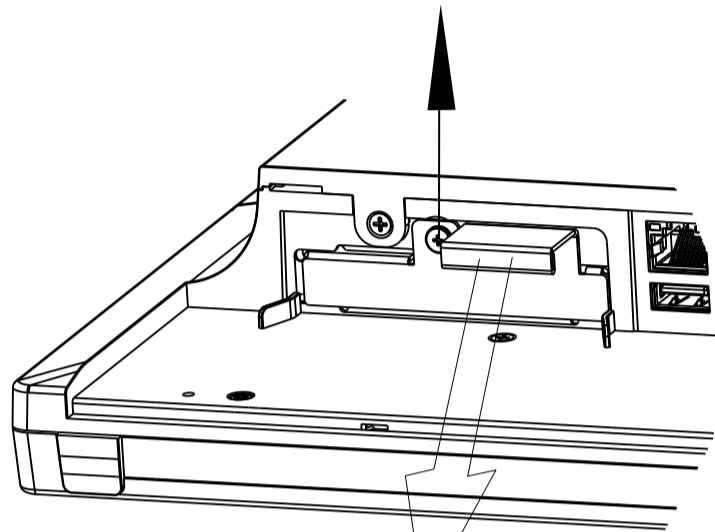
### Easy Maintenance

#### HDD Maintenance

**Step 1.**  
Adjust Panel PC angle to zero degree.



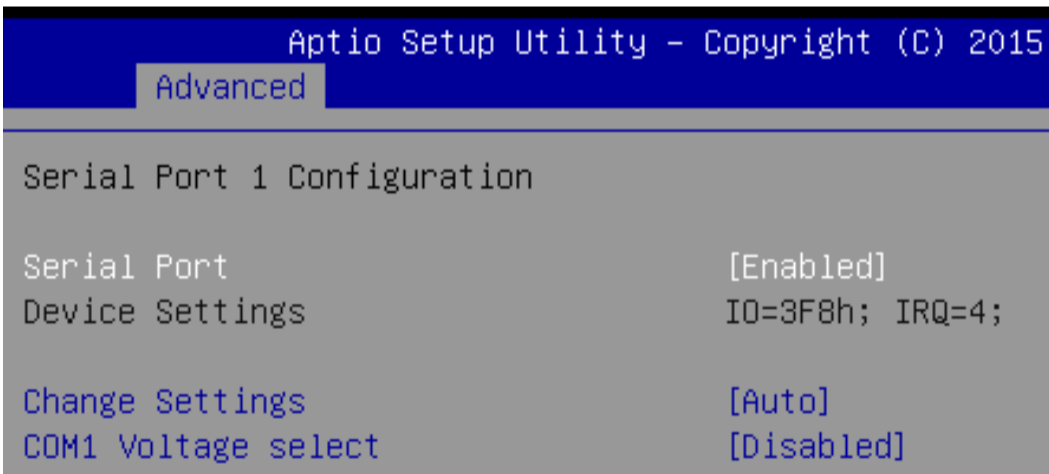
**Step 2.** Unassemble the HDD fixing screw.



**Step 3.**  
Pull out HDD tray.

### COM/Cash Drawer

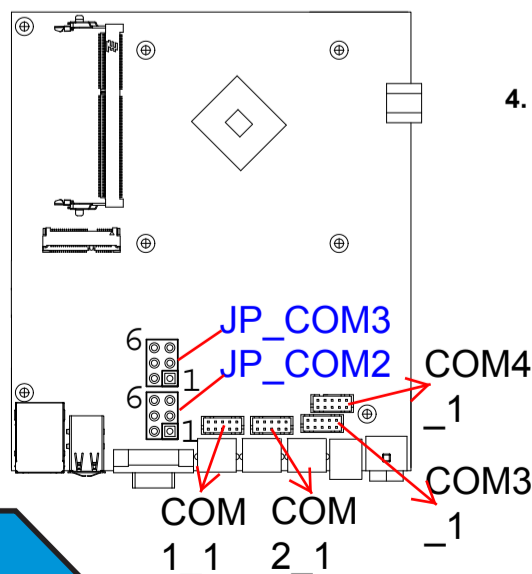
Voltage of external "COM1" & "COM4" ports and "Cash Drawer" port are made to control on BIOS for your convenience.



BIOS Setting	Options	Description
COM1 Voltage select	-Disabled -12V -5V	Disable or select COM1 Voltage 12V/5V

Left port "COM2" & "COM3" which voltage are set by "JP\_COM2", "JP\_COM3" jumper on board.

SELECTION	JUMPER SETTING	JUMPER ILLUSTRATION
RI	1-2	
+12V	3-4	
+5V	5-6	



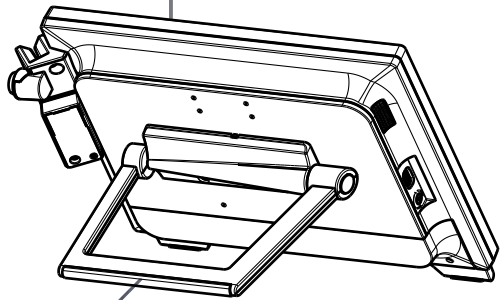
### Safety Precaution

The following messages are safety reminders on how to protect your system from damages, and extend the life cycle of the system.

- 1. Check the Line Voltage**
  - Make sure the operating voltage range is between 100V and 240V AC; otherwise, the system could be damaged.
- 2. Environmental Conditions**
  - Place your PA-6322 on a sturdy, level surface. Be sure to allow enough space around the system to have easy access needs.
  - Avoid installing the system in extremely hot or cold places.
  - Avoid exposure to sunlight for a long period of time or in an airtight room.
  - Also, avoid the system from any heating device or using the PA-6322 when it has been left outdoors in a cold winter day.
  - Bear in mind that the operating ambient temperature is between 0°C and 35°C (32°F~ 95°F).
  - Avoid moving the system rapidly from a hot place to a cold place, and vice versa, because condensation may occur inside the system.
  - Operate the PA-6322 in strong vibration may cause hard disk failure.
  - Do not place the system too close to any radio-active device. Radio-active device may cause signal interference.
  - Always shut down the operating system before turning off the power.
- 3. Handling**
  - Avoid placing heavy objects on the top of the system.
  - Do not turn the system upside down. This may cause the hard drive to malfunction.
  - Do not allow any objects to fall into this product.
  - If water or other liquid spills into this product, unplug the power cord immediately.
- 4. Good Care**
  - When the outside case gets stained, remove the stains using neutral washing agent with a dry cloth.
  - Never use strong agents such as benzene and thinner to clean the surface of the case.
  - If heavy stains are present, moisten a cloth with diluted neutral washing agent or alcohol and then wipe thoroughly with a dry cloth.
  - If dust is accumulated on the case surface, remove it using a special vacuum cleaner for computers.
  - Do not replace the motherboard battery by yourself, or serious damage may occur.

# PA-6322

## Quick Reference Guide



Ver Q1

All Right Reserved Copyright 2016

## Packing Checklist

If you discover any item below was damaged or lost, please contact your vendor.

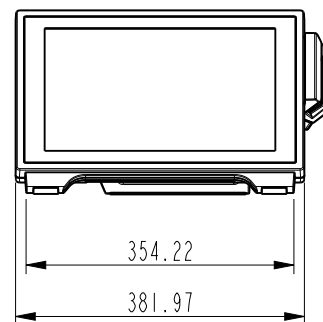
- PA-6322 X 1
- This Quick Reference Guide X 1
- Power Adaptor X 1
- AC Power Cord X 1
- Driver CD X 1
- Option X 1

## Specifications

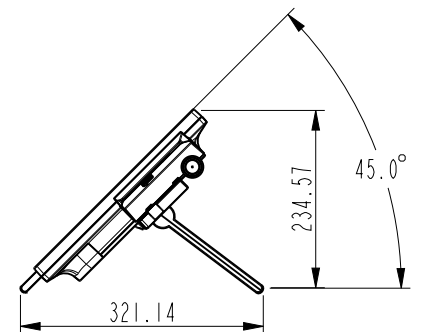
<b>System</b>	CPU Support	Intel® Celeron® J1900 Quad-Core 2.0GHz
	Memory	1 x DDR3L SO-DIMM 204-pin socket, up to 8GB
	Network	10/100/1000 Base-T Fast Ethernet
	Power Supply	60-90 Watt power adaptor
	Audio	2 Watt speaker
	System Weight	Easy stand with power adaptor approx. 6 kg
	Dimension	382 x 321x 234 mm (with 45 degree)
	O.S. Support	Win8 Industry Pro Retail / POSReady7
	BIOS	AMI SPI BIOS, 8 Mbits with VGA BIOS
	RTC Accuracy	3 days +/- 3 seconds
<b>Storage</b>	SATA	1 x 2.5" HDD or SSD
<b>I/O Ports</b>	USB	on rear 3 x USB 2.0, 1 x USB 3.0 on side bezel 1 x USB 2.0
	Serial Ports	3 + 1 (optional) x RJ45 (all support +5V/12V selectable)
	LAN	1 x RJ45
	VGA	1 x DB15
	Cash Drawer	1 + 1(option, with Y cable) x RJ11 (+12V or +24V selectable)
	DC-in	1 x 4pin DC Power Jack
<b>Peripheral</b>	Customer Display	VFD, 20 columns and 2 lines, each column is 5 x 7 dots
	Printer	2" or 3" easy loading thermal printer with Auto cutter
	MSR & iButton	JIS-I or II, ISO Track1+2+3 (PS/2 interface)
	2 <sup>nd</sup> Display	8" or 10.4" LCD
<b>Display</b>	Fingerprint	8-bit grayscale reader
	LCD	15" TFT LCD
	Resolution	1024 x 768 / Signal Interface: TTL (24-bit)
	Brightness	Resistive Touchscreen: minimum: 160 cd/m <sup>2</sup> Projected Capacitive: Touchscreen: minimum: 180 cd/m <sup>2</sup>
	Touch Screen	Non Bezel-free 5-wire Analog resistive Bezel-Free 5-wire Analog resistive or Projected Capacitive
<b>Environment</b>	Tilt Angle	45-65 degree with easy stand 0-68 degree with normal stand 0-50 degree with printer stand
	EMC & Safety	CE / FCC
	Operating Temp.	0° C ~ 35° C
	Storage Temp.	-5° C ~ 60° C
	Humidity	20% ~ 90%

## System View

Front View

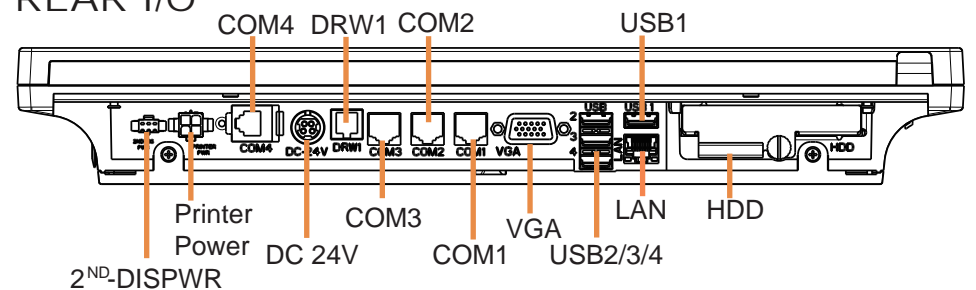


Side View

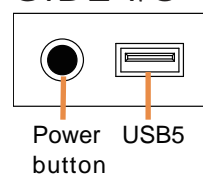


Unit: mm

REAR I/O



SIDE I/O



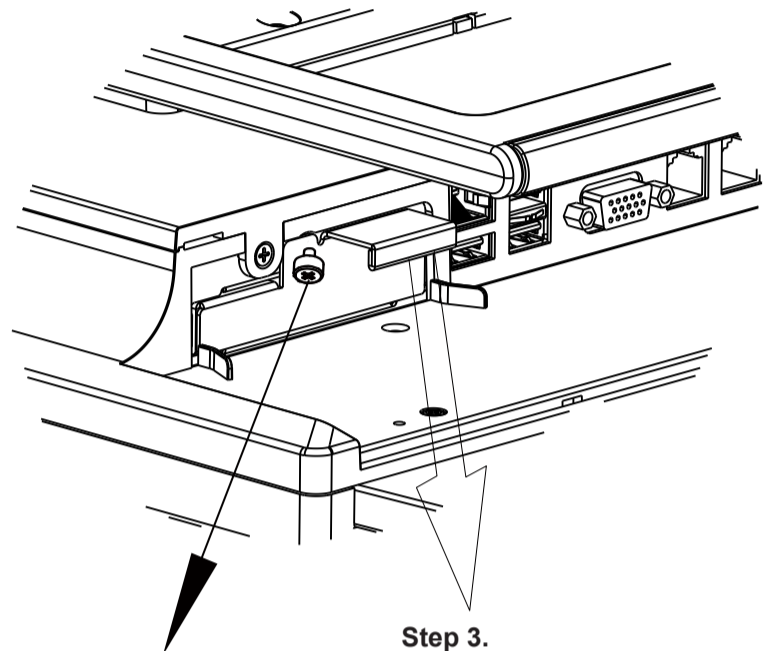
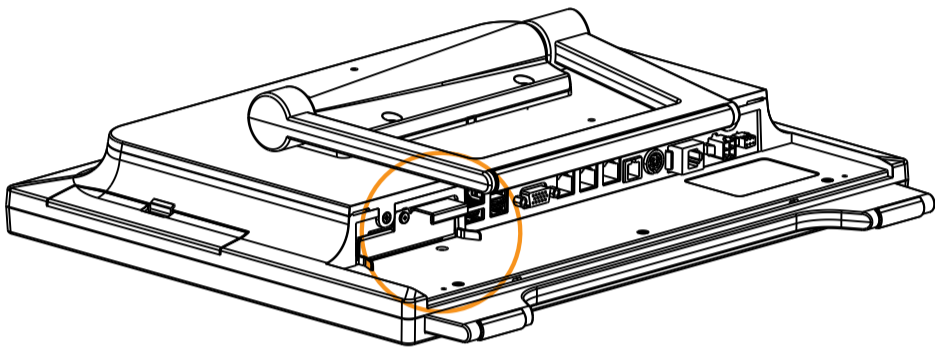
# PA-6322

## 15" Fanless POS Terminal with Intel® Celeron J1900

### Easy Maintenance

#### HDD Maintenance

Step 1. Lay down System on a flat surface as shown below:

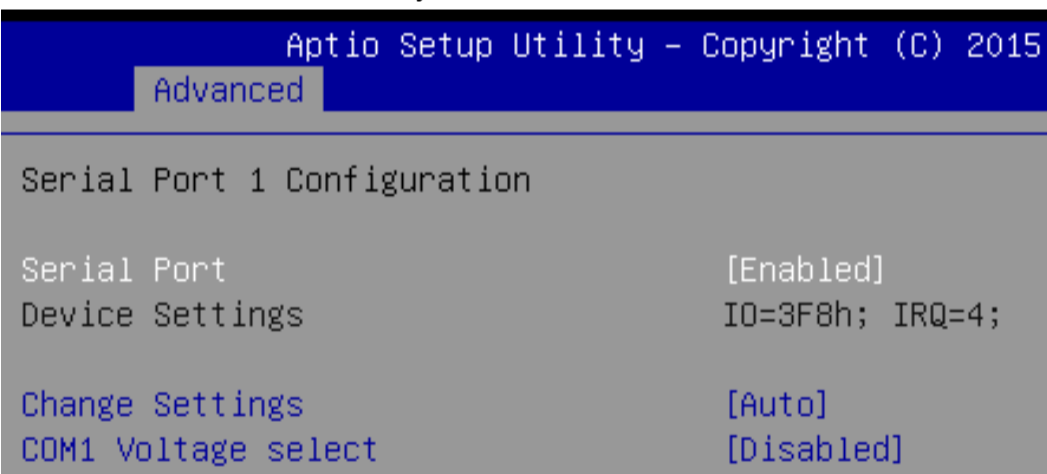


Step 2. Unassemble the HDD fixing screw.

Step 3. Pull out HDD tray.

### COM/Cash Drawer

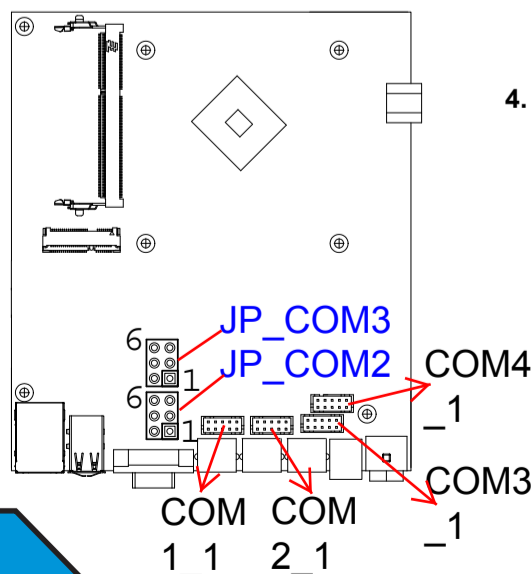
Voltage of external "COM1" & "COM4" ports and "Cash Drawer" port are made to control on BIOS for your convenience.



BIOS Setting	Options	Description
COM1 Voltage select	-Disabled -12V -5V	Disable or select COM1 Voltage 12V/5V

Left port "COM2" & "COM3" which voltage are set by "JP\_COM2", "JP\_COM3" jumper on board.

SELECTION	JUMPER SETTING	JUMPER ILLUSTRATION
RI	1-2	
+12V	3-4	
+5V	5-6	



### Safety Precaution

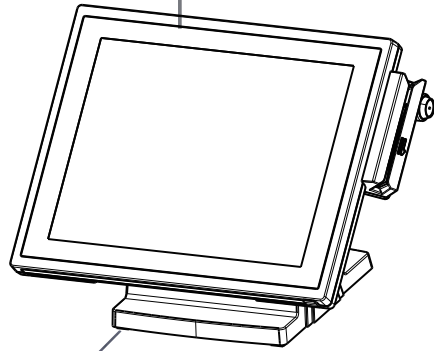
The following messages are safety reminders on how to protect your system from damages, and extend the life cycle of the system.

- 1. Check the Line Voltage**
  - Make sure the operating voltage range is between 100V and 240V AC; otherwise, the system could be damaged.
- 2. Environmental Conditions**
  - Place your PA-6322 on a sturdy, level surface. Be sure to allow enough space around the system to have easy access needs.
  - Avoid installing the system in extremely hot or cold places.
  - Avoid exposure to sunlight for a long period of time or in an airtight room.
  - Also, avoid the system from any heating device or using the PA-6322 when it has been left outdoors in a cold winter day.
  - Bear in mind that the operating ambient temperature is between 0°C and 35°C (32°F~ 95°F).
  - Avoid moving the system rapidly from a hot place to a cold place, and vice versa, because condensation may occur inside the system.
  - Operate the PA-6322 in strong vibration may cause hard disk failure.
  - Do not place the system too close to any radio-active device. Radio-active device may cause signal interference.
  - Always shut down the operating system before turning off the power.
- 3. Handling**
  - Avoid placing heavy objects on the top of the system.
  - Do not turn the system upside down. This may cause the hard drive to malfunction.
  - Do not allow any objects to fall into this product.
  - If water or other liquid spills into this product, unplug the power cord immediately.
- 4. Good Care**
  - When the outside case gets stained, remove the stains using neutral washing agent with a dry cloth.
  - Never use strong agents such as benzene and thinner to clean the surface of the case.
  - If heavy stains are present, moisten a cloth with diluted neutral washing agent or alcohol and then wipe thoroughly with a dry cloth.
  - If dust is accumulated on the case surface, remove it using a special vacuum cleaner for computers.
  - Do not replace the motherboard battery by yourself, or serious damage may occur.



# PA-6322

## Quick Reference Guide



Ver Q1

All Right Reserved Copyright 2016

## Packing Checklist

If you discover any item below was damaged or lost, please contact your vendor.

- PA-6322 X 1
- This Quick Reference Guide X 1
- Power Adaptor X 1
- AC Power Cord X 1
- Driver CD X 1
- Option X 1

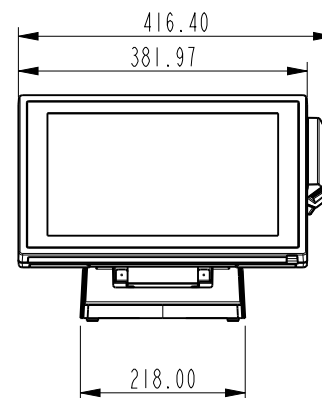
## PA-6322

## Specifications

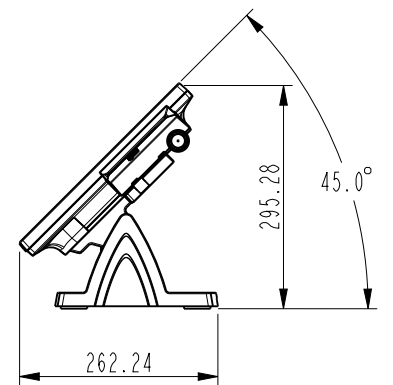
<b>System</b>	CPU Support	Intel® Celeron® J1900 Quad-Core 2.0GHz
	Memory	1 x DDR3L SO-DIMM 204-pin socket, up to 8GB
	Network	10/100/1000 Base-T Fast Ethernet
	Power Supply	60-90 Watt power adaptor
	Audio	2 Watt speaker
	System Weight	Easy stand with power adaptor approx. 7.5 kg
	Dimension	382 x 295 x 262 mm (with 45 degree)
	O.S. Support	Win8 Industry Pro Retail / POSReady7
	BIOS	AMI SPI BIOS, 8 Mbits with VGA BIOS
	RTC Accuracy	3 days +/- 3 seconds
<b>Storage</b>	SATA	1 x 2.5" HDD or SSD
<b>I/O Ports</b>	USB	on rear 3 x USB 2.0, 1 x USB 3.0 on side bezel 1 x USB 2.0
	Serial Ports	3 + 1 (optional) x RJ45 (all support +5V/12V selectable)
	LAN	1 x RJ45
	VGA	1 x DB15
	Cash Drawer	1 + 1(option, with Y cable) x RJ11 (+12V or +24V selectable)
	DC-in	1 x 4pin DC Power Jack
<b>Peripheral</b>	Customer Display	VFD, 20 columns and 2 lines, each column is 5 x 7 dots
	Printer	2" or 3" easy loading thermal printer with Auto cutter
	MSR & iButton	JIS-I or II, ISO Track1+2+3 (PS/2 interface)
	2 <sup>nd</sup> Display	8" or 10.4" LCD
<b>Display</b>	Fingerprint	8-bit grayscale reader
	LCD	15" TFT LCD
	Resolution	1024 x 768 / Signal Interface: TTL (24-bit)
	Brightness	Resistive Touchscreen: minimum: 160 cd/m <sup>2</sup> Projected Capacitive: Touchscreen: minimum: 180 cd/m <sup>2</sup>
	Touch Screen	Non Bezel-free 5-wire Analog resistive Bezel-Free 5-wire Analog resistive or Projected Capacitive
<b>Environment</b>	Tilt Angle	45-65 degree with easy stand 0-68 degree with normal stand 0-50 degree with printer stand
	EMC & Safety	CE / FCC
	Operating Temp.	0° C ~ 35° C
	Storage Temp.	-5° C ~ 60° C
	Humidity	20% ~ 90%

## System View

Front View

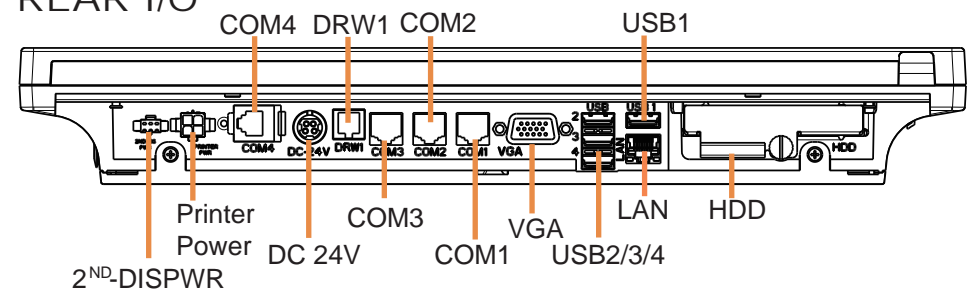


Side View

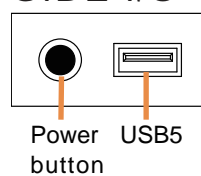


Unit: mm

REAR I/O



SIDE I/O



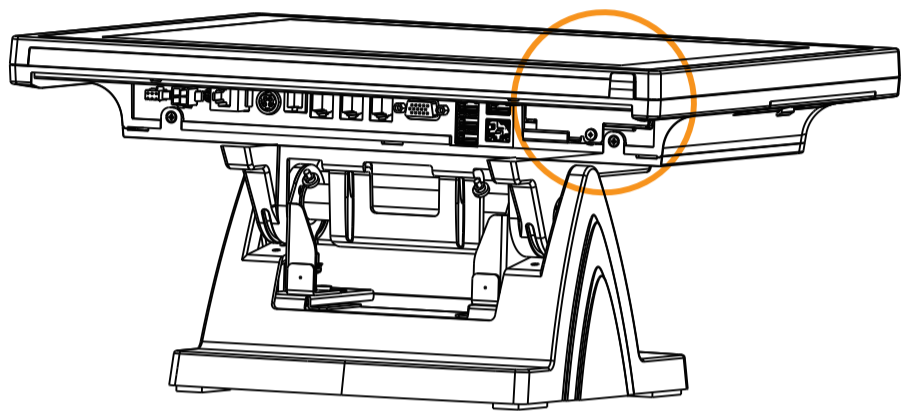
# PA-6322

## 15" Fanless POS Terminal with Intel® Celeron J1900

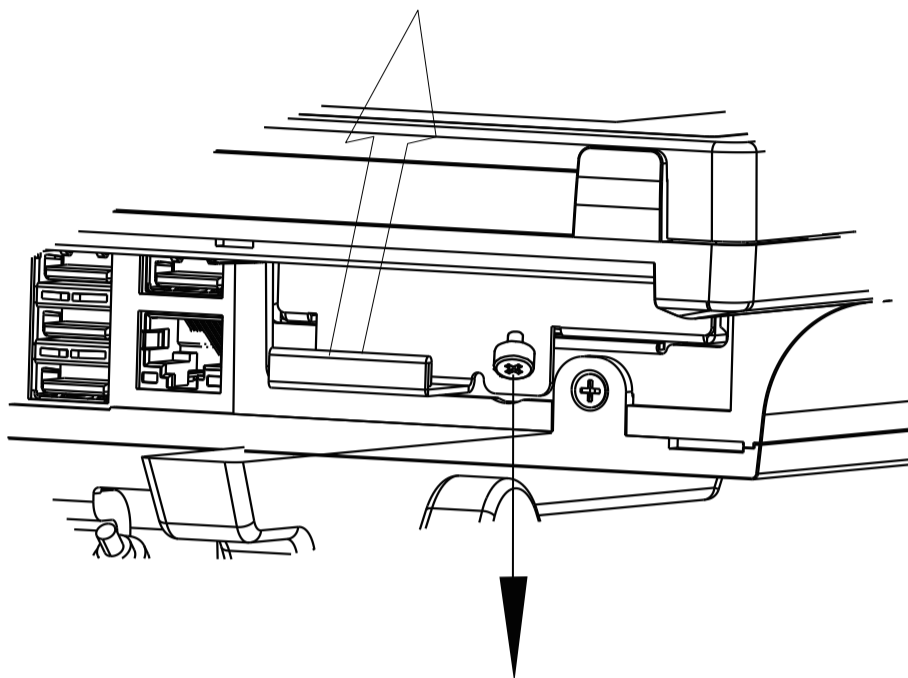
### Easy Maintenance

#### HDD Maintenance

Step 1.  
Adjust LCD angle to zero degree.



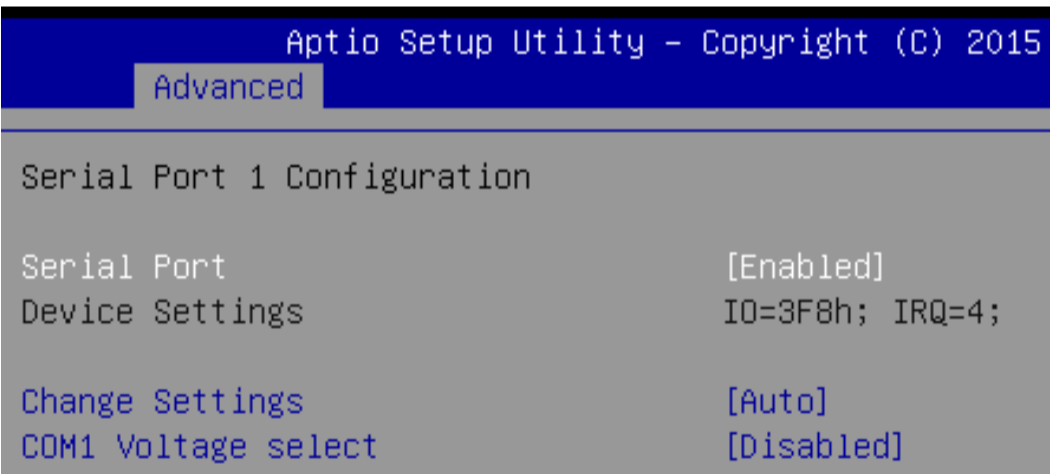
Step 3.  
Pull out HDD tray.



Step 2. Unassemble the HDD fixing screw.

### COM/Cash Drawer

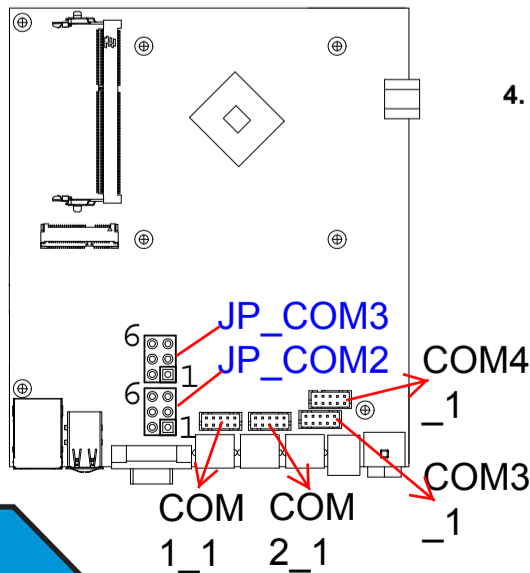
Voltage of external "COM1" & "COM4" ports and "Cash Drawer" port are made to control on BIOS for your convenience.



BIOS Setting	Options	Description
COM1 Voltage select	-Disabled -12V -5V	Disable or select COM1 Voltage 12V/5V

Left port "COM2" & "COM3" which voltage are set by "JP\_COM2", "JP\_COM3" jumper on board.

SELECTION	JUMPER SETTING	JUMPER ILLUSTRATION
RI	1-2	 JP_COM2 JP_COM3
+12V	3-4	 JP_COM2 JP_COM3
+5V	5-6	 JP_COM2 JP_COM3



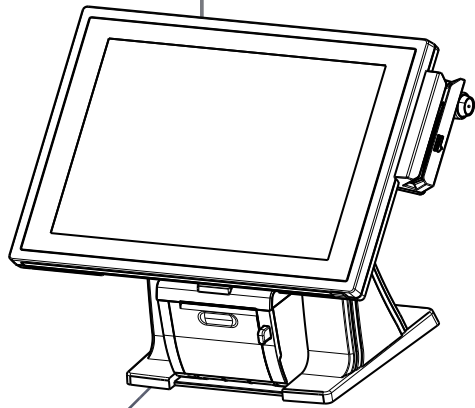
### Safety Precaution

The following messages are safety reminders on how to protect your system from damages, and extend the life cycle of the system.

- 1. Check the Line Voltage**
  - Make sure the operating voltage range is between 100V and 240V AC; otherwise, the system could be damaged.
- 2. Environmental Conditions**
  - Place your PA-6322 on a sturdy, level surface. Be sure to allow enough space around the system to have easy access needs.
  - Avoid installing the system in extremely hot or cold places.
  - Avoid exposure to sunlight for a long period of time or in an airtight room.
  - Also, avoid the system from any heating device or using the PA-6322 when it has been left outdoors in a cold winter day.
  - Bear in mind that the operating ambient temperature is between 0°C and 35°C (32°F~ 95°F).
  - Avoid moving the system rapidly from a hot place to a cold place, and vice versa, because condensation may occur inside the system.
  - Operate the PA-6322 in strong vibration may cause hard disk failure.
  - Do not place the system too close to any radio-active device. Radio-active device may cause signal interference.
  - Always shut down the operating system before turning off the power.
- 3. Handling**
  - Avoid placing heavy objects on the top of the system.
  - Do not turn the system upside down. This may cause the hard drive to malfunction.
  - Do not allow any objects to fall into this product.
  - If water or other liquid spills into this product, unplug the power cord immediately.
- 4. Good Care**
  - When the outside case gets stained, remove the stains using neutral washing agent with a dry cloth.
  - Never use strong agents such as benzene and thinner to clean the surface of the case.
  - If heavy stains are present, moisten a cloth with diluted neutral washing agent or alcohol and then wipe thoroughly with a dry cloth.
  - If dust is accumulated on the case surface, remove it using a special vacuum cleaner for computers.
  - Do not replace the motherboard battery by yourself, or serious damage may occur.

# PA-6322

## Quick Reference Guide



Ver Q1

All Right Reserved Copyright 2016

## Packing Checklist

If you discover any item below was damaged or lost, please contact your vendor.

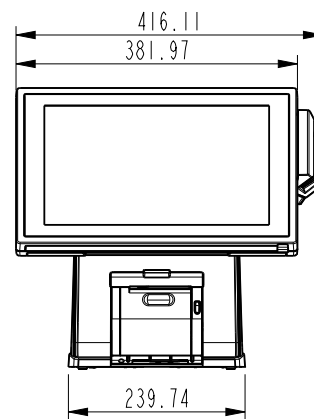
- PA-6322 X 1
- This Quick Reference Guide X 1
- Power Adaptor X 1
- AC Power Cord X 1
- Driver CD X 1
- Option X 1

## Specifications

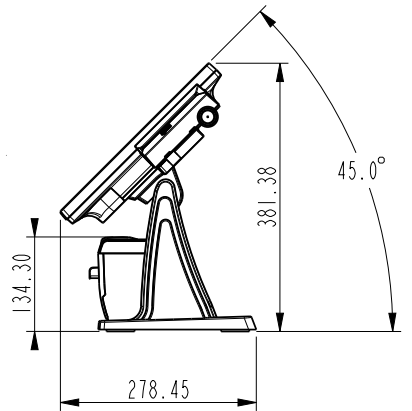
<b>System</b>	CPU Support	Intel® Celeron® J1900 Quad-Core 2.0GHz
	Memory	1 x DDR3L SO-DIMM 204-pin socket, up to 8GB
	Network	10/100/1000 Base-T Fast Ethernet
	Power Supply	60-90 Watt power adaptor
	Audio	2 Watt speaker
	System Weight	Easy stand with power adaptor approx. 9.5 kg
	Dimension	382 x 381 x 278 mm (with 45 degree)
	O.S. Support	Win8 Industry Pro Retail / POSReady7
	BIOS	AMI SPI BIOS, 8 Mbits with VGA BIOS
	RTC Accuracy	3 days +/- 3 seconds
<b>Storage</b>	SATA	1 x 2.5" HDD or SSD
<b>I/O Ports</b>	USB	on rear 3 x USB 2.0, 1 x USB 3.0 on side bezel 1 x USB 2.0
	Serial Ports	3 + 1 (optional) x RJ45 (all support +5V/12V selectable)
	LAN	1 x RJ45
	VGA	1 x DB15
	Cash Drawer	1 + 1(option, with Y cable) x RJ11 (+12V or +24V selectable)
	DC-in	1 x 4pin DC Power Jack
<b>Peripheral</b>	Customer Display	VFD, 20 columns and 2 lines, each column is 5 x 7 dots
	Printer	2" or 3" easy loading thermal printer with Auto cutter
	MSR & iButton	JIS-I or II, ISO Track1+2+3 (PS/2 interface)
	2 <sup>nd</sup> Display	8" or 10.4" LCD
<b>Display</b>	Fingerprint	8-bit grayscale reader
	LCD	15" TFT LCD
	Resolution	1024 x 768 / Signal Interface: TTL (24-bit)
	Brightness	Resistive Touchscreen: minimum: 160 cd/m <sup>2</sup> Projected Capacitive: Touchscreen: minimum: 180 cd/m <sup>2</sup>
	Touch Screen	Non Bezel-free 5-wire Analog resistive Bezel-Free 5-wire Analog resistive or Projected Capacitive
<b>Environment</b>	Tilt Angle	45-65 degree with easy stand 0-68 degree with normal stand 0-50 degree with printer stand
	EMC & Safety	CE / FCC
	Operating Temp.	0° C ~ 35° C
	Storage Temp.	-5° C ~ 60° C
	Humidity	20% ~ 90%

## System View

Front View

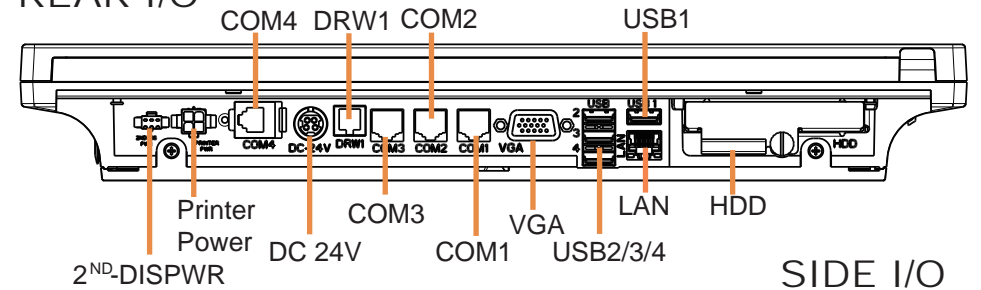


Side View



Unit: mm

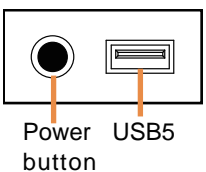
REAR I/O



### Caution



SIDE I/O



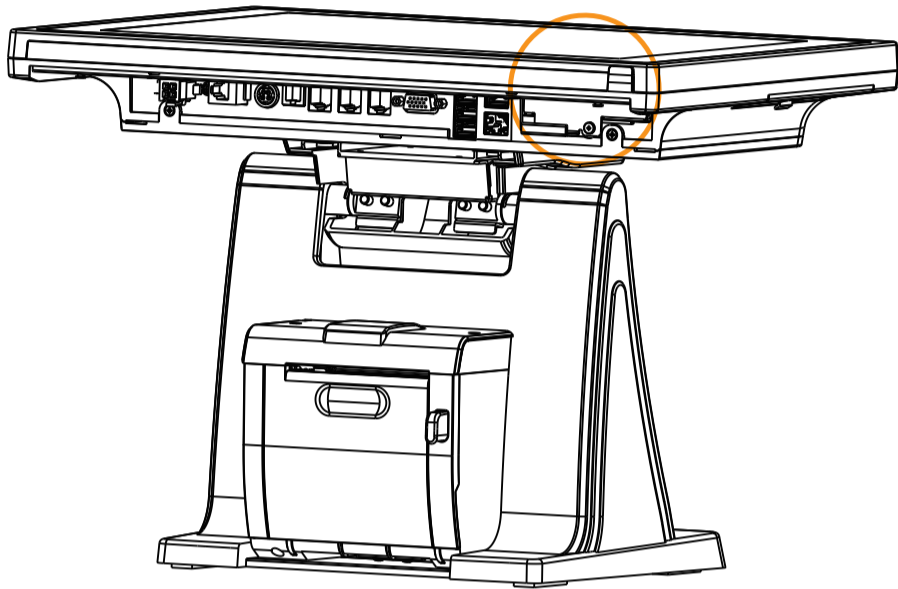
# PA-6322

## 15" Fanless POS Terminal with Intel® Celeron J1900

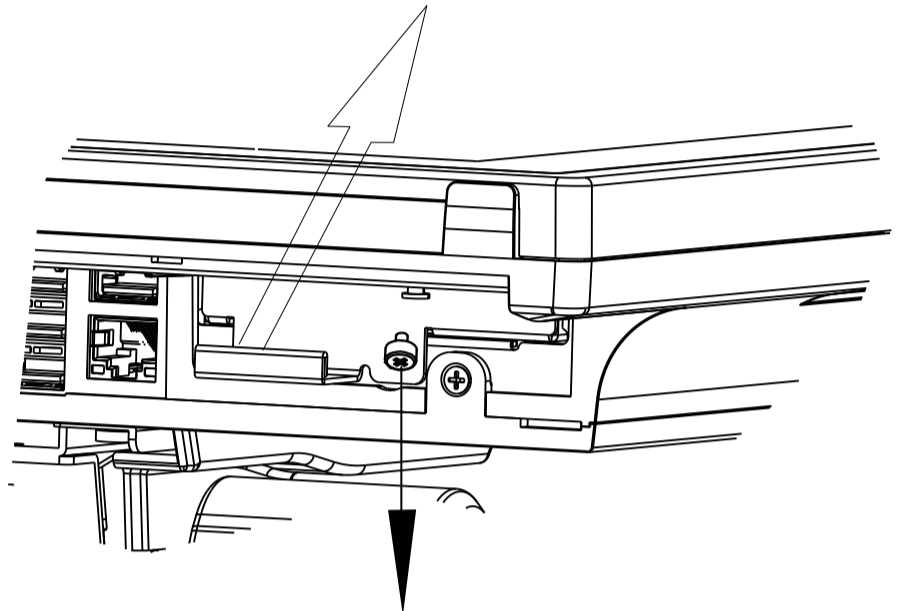
### Easy Maintenance

#### HDD Maintenance

**Step 1.**  
Adjust LCD angle to zero degree.



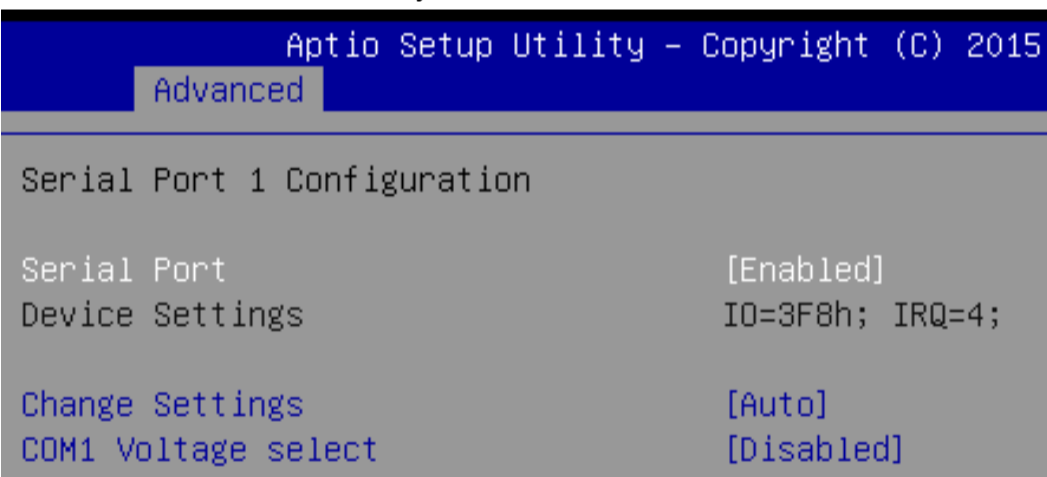
**Step 3.**  
Pull out HDD tray.



**Step 2.**  
Unassemble the HDD fixing screw.

### COM/Cash Drawer

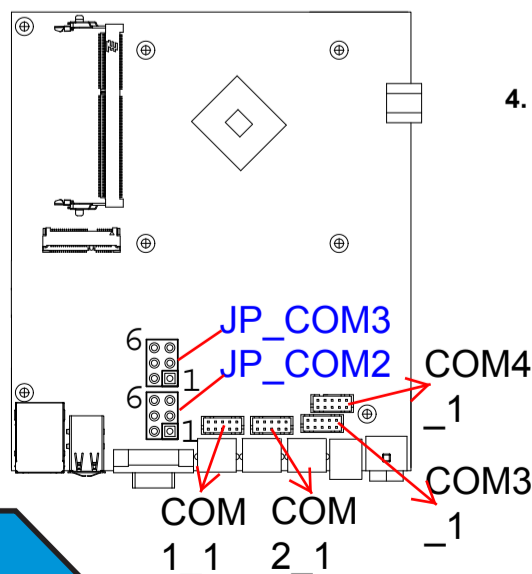
Voltage of external "COM1" & "COM4" ports and "Cash Drawer" port are made to control on BIOS for your convenience.



BIOS Setting	Options	Description
COM1 Voltage select	-Disabled -12V -5V	Disable or select COM1 Voltage 12V/5V

Left port "COM2" & "COM3" which voltage are set by "JP\_COM2", "JP\_COM3" jumper on board.

SELECTION	JUMPER SETTING	JUMPER ILLUSTRATION
RI	1-2	 JP_COM2
+12V	3-4	 JP_COM2
+5V	5-6	 JP_COM2



### Safety Precaution

The following messages are safety reminders on how to protect your system from damages, and extend the life cycle of the system.

- 1. Check the Line Voltage**
  - Make sure the operating voltage range is between 100V and 240V AC; otherwise, the system could be damaged.
- 2. Environmental Conditions**
  - Place your PA-6322 on a sturdy, level surface. Be sure to allow enough space around the system to have easy access needs.
  - Avoid installing the system in extremely hot or cold places.
  - Avoid exposure to sunlight for a long period of time or in an airtight room.
  - Also, avoid the system from any heating device or using the PA-6322 when it has been left outdoors in a cold winter day.
  - Bear in mind that the operating ambient temperature is between 0°C and 35°C (32°F~ 95°F).
  - Avoid moving the system rapidly from a hot place to a cold place, and vice versa, because condensation may occur inside the system.
  - Operate the PA-6322 in strong vibration may cause hard disk failure.
  - Do not place the system too close to any radio-active device. Radio-active device may cause signal interference.
  - Always shut down the operating system before turning off the power.
- 3. Handling**
  - Avoid placing heavy objects on the top of the system.
  - Do not turn the system upside down. This may cause the hard drive to malfunction.
  - Do not allow any objects to fall into this product.
  - If water or other liquid spills into this product, unplug the power cord immediately.
- 4. Good Care**
  - When the outside case gets stained, remove the stains using neutral washing agent with a dry cloth.
  - Never use strong agents such as benzene and thinner to clean the surface of the case.
  - If heavy stains are present, moisten a cloth with diluted neutral washing agent or alcohol and then wipe thoroughly with a dry cloth.
  - If dust is accumulated on the case surface, remove it using a special vacuum cleaner for computers.
  - Do not replace the motherboard battery by yourself, or serious damage may occur.