

PA- 6222 Quick Reference Guide



Version Q2

Packing Checklist

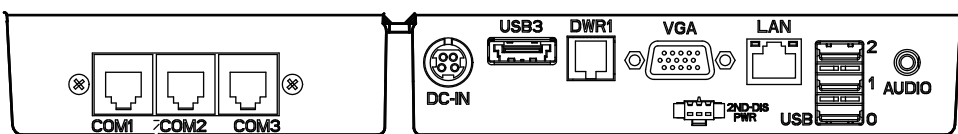
If you discover any item below was damaged or lost, please contact your vendor.

- PA-6222 [stand-less or Normal-stand]
- This Quick Reference Guide
- Power Adaptor
- Power Cord
- Driver CD
- VFD (Optional)

Specifications

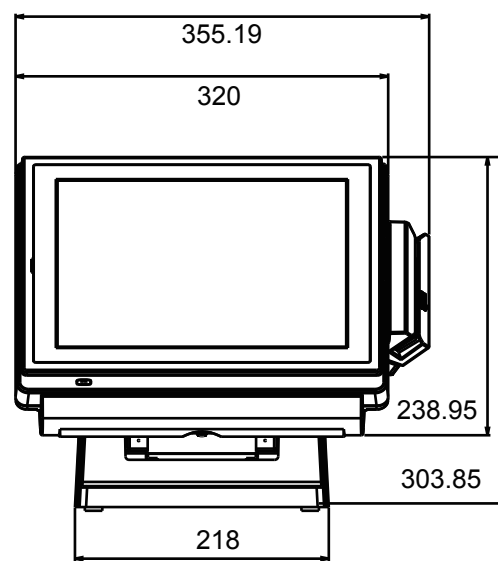
System	CPU	Intel® Celeron® Processor J1900
	Memory	DDR3L SO-DIMM(up to 8GB)
	Network	10/100/1000Mbps
	Power Supply	72 Watt power adaptor
	Audio	2W speaker
	System Weight	Approx. 5kg
	Dimension(WxHxD)	320 x 303 x 236 mm
	OS support	POSReady7 / Win8 / Win10
	Mounting Type	Support VESA 75/ 100
	Storage	SATA
I/O Ports	USB	4 x USB on rear, 1 x USB on side bezel
	Serial Ports	3 x RJ45, 1 x RJ45 optional(+5V/12V selectable)
	LAN	1 x RJ45
	VGA	1 x DB15
	Line Out	1 x phone jack
	Cash Drawer	1 x RJ11(+12/24V selectable)
	DC-in	1 x 4pin DC Power Jack
Peripheral	Customer Display	VFD, 20 columns and 2 lines, 5 x 7 dots per column
	MSR & iButton	JIS-I or II, ISO Track1+2+3
	2 nd Display	8" or 10.4" LCD
	Fingerprint	8-bit grayscale, reader
Display	Resolution	1024 x 768
	Brightness	500 cd/m ² LED Backlight
	Touch Screen	Bezel-Free 5-wire resistive
Environment	EMC & Safety	CE / FCC
	Operating Temp.	0 ~ 35°C
	Storage Temp.	-5 ~ 60°C
	Humidity	20 ~ 90%

I/O View

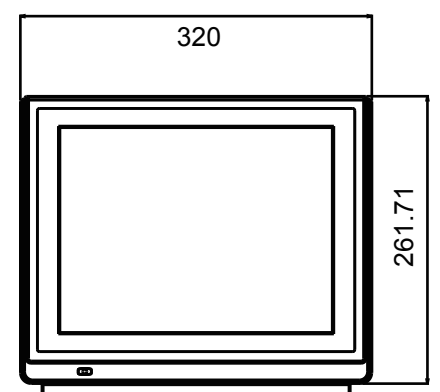
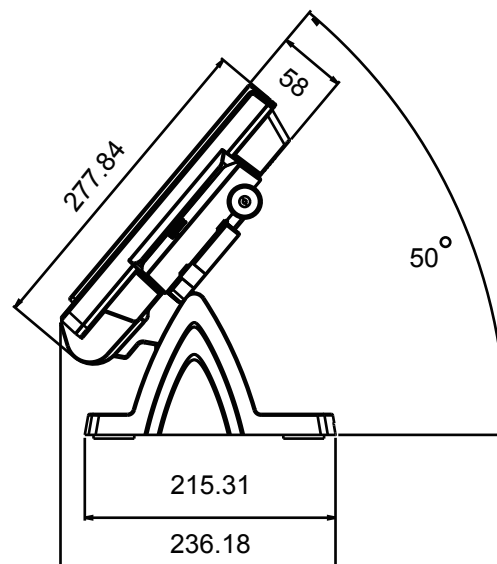


System View

Normal Stand Type



Stand-less Type



12" Fanless POS Terminal with Intel® Celeron J1900

HDD Maintenance

Step 1. Remove the two screws

Step 2. Open the HDD cover.

Step 3. Remove the side screws.

Step 4. Remove the top screw.

Step 5. Push down HDD chassis.

Step 6. Pull the HDD Track Edge out and take out the HDD.

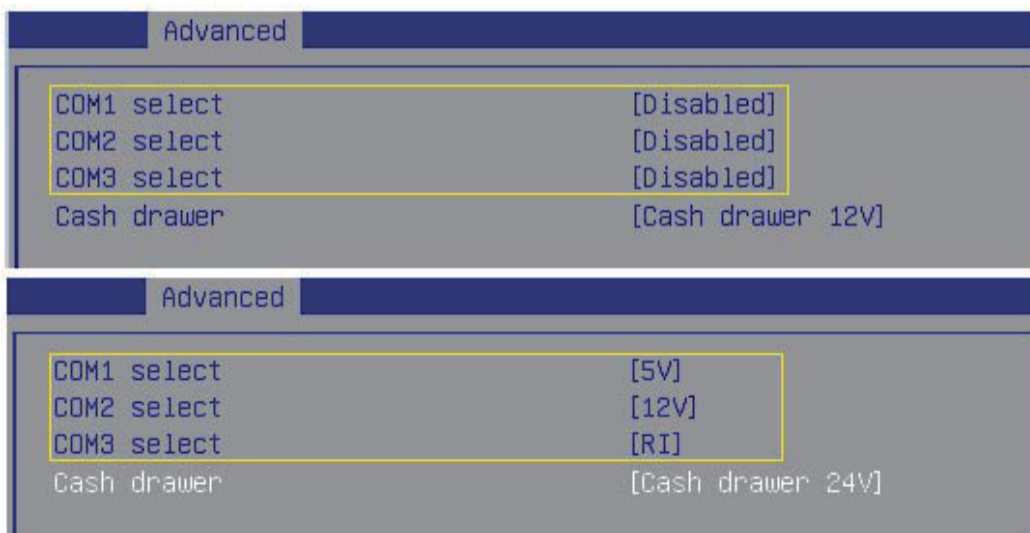
Stand-less Type

Normal Stand Type

COM /Cash Drawer

Caution:

- Voltage of external COM1, COM2, COM3 ports and Cash Drawer port are made to control on BIOS for your convenience. The corresponding jumpers "JP_COM1", "JP_COM2", "JP_COM3" and "JP29" are set open (no jumper connection) by default.
- "JP_COM1", "JP_COM2", "JP_COM3", "JP29" are enabled when Voltage adjustment is disabled on BIOS
- Voltage control is adjustable by BIOS or jumpers. Either way cannot be applied simultaneously in case of system error, component damage or serious boot failure.



Safety Precaution

The following messages are safety reminders on how to protect your system from damages, and extend the life cycle of the system.

- 1. Check the Line Voltage**
 - Make sure the operating voltage range is between 100V and 240V AC; otherwise, the system could be damaged.
- 2. Environmental Conditions**
 - Place your PA-6222 on a sturdy, level surface. Be sure to allow enough space around the system to have easy access needs.
 - Avoid installing the system in extremely hot or cold places.
 - Avoid exposure to sunlight for a long period of time or in an airtight room.
 - Avoid the system from any heating device or using the PA-6222 when it has been left outdoors in a cold winter day.
 - Bear in mind that the operating ambient temperature is between 0°C and 35°C (32°F~ 95°F).
 - Avoid moving the system rapidly from a hot place to a cold place, and vice versa, because condensation may occur inside the system.
 - Operate the PA-6222 in strong vibration may cause hard disk failure.
 - Do not place the system too close to any radio-active device.
 - Radio-active device may cause signal interference.
 - Always shut down the operating system before turning off the power.
- 3. Handling**
 - Avoid placing heavy objects on the top of the system.
 - Do not turn the system upside down. This may cause the hard drive to malfunction.
 - Do not allow any objects to fall into this product.
 - If water or other liquid spills into this product, unplug the power cord immediately.
- 4. Good Care**
 - When the outside case gets stained, remove the stains using neutral washing agent with a dry cloth.
 - Never use strong agents such as benzene and thinner to clean the surface of the case.
 - If heavy stains are present, moisten a cloth with diluted neutral washing agent or alcohol and then wipe thoroughly with a dry cloth.
 - If dust is accumulated on the case surface, remove it using a special vacuum cleaner for computers.
 - Do not replace the motherboard battery by yourself, or serious damage may occur.