

# POS-6920

## Quick Reference Guide



Manual ver Q2

All Rights Reserved. Copyright 2014

## Packing Checklist

If you discover any item below was damaged or lost, please contact your vendor.

- POS-6920 X 1
- This Quick Reference Guide X 1
- 72W Power Adaptor X 1
- AC Power Cord X 1
- Driver CD X 1
- VFD (Optional) X 1

## Specifications

System	
CPU Support	Intel® Atom® D525 1.8G
Core logic	Intel® ICH8M
Memory	1 x DDRIII SO-DIMM slot, up to 4GB
HDD	1 x 2.5" serial ATA Hard Disk
CF	1 x Compact Flash slot for CF type I/II storage
Network	1 x Giga LAN Base-T Fast Ethernet
Power Supply	72W power adaptor
Speaker	1 x 2W
System Weight	9kg
Dimension (WxHxD)	368 x 327 x 238 mm

I/O Ports	
USB	4 on rear I/O port, 1 on the left side of back cover
Keyboard/Mouse	1 x PS/2 port (default: Keyboard)
Serial Ports	1 x RJ45 (COM1), 2 x DB-9 (COM 2/3)
Audio	1 x Line-out
VGA	1 x DB-15 VGA Interface
Cash Drawer	1 x RJ11 port, 12/24V selectable

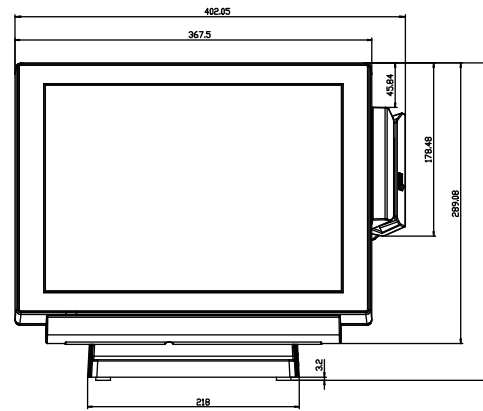
Display	
LCD	15" TFT LCD/24bit, 250nits, 1024 x 768 resolution
Touch Screen	True Flat Resistive
Viewing Angle	0 ~ 68 degree

Environment	
Operating Temp.	0 °C ~ 35 °C
Storage Temp.	-20 °C ~ 60 °C
Humidity	20% ~ 90%

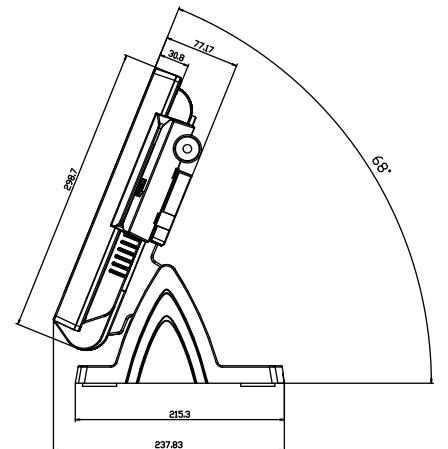
## System View

### POS-6920

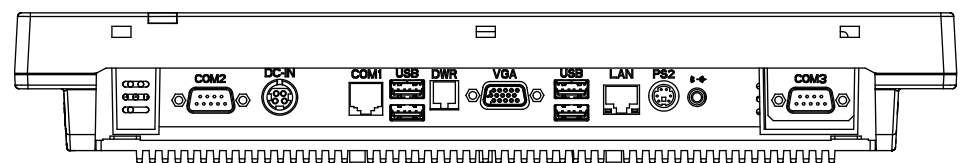
#### Front View



#### Side View



#### I/O View



Unit: mm

# POS-6920

## 15" Fanless POS Terminal with Intel® Atom® Pineview Platform

### Easy Maintenance

#### HDD Maintenance

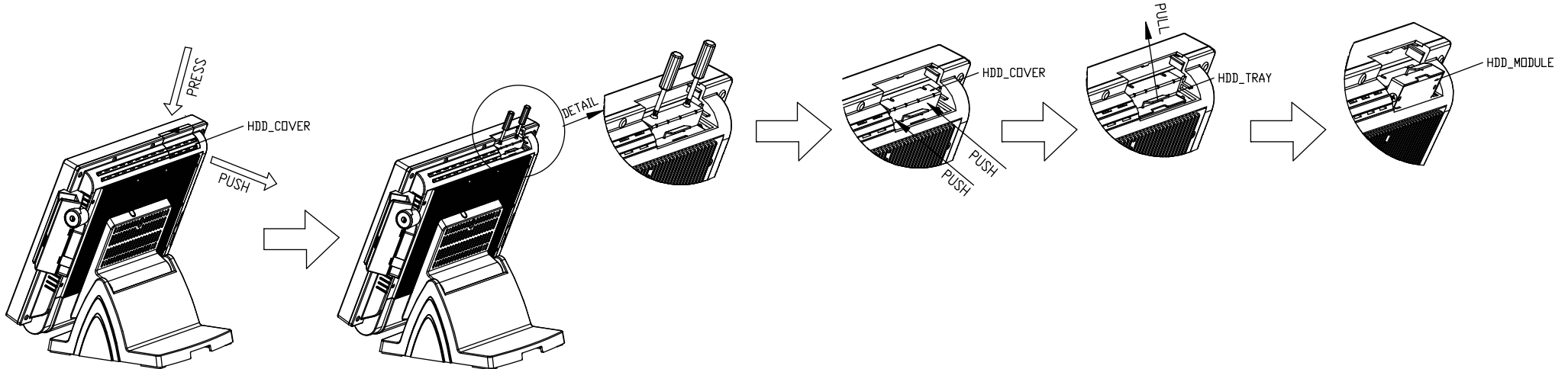
STEP1: REMOVE HDD\_COVER

STEP2: RELEASE 2 SCREW

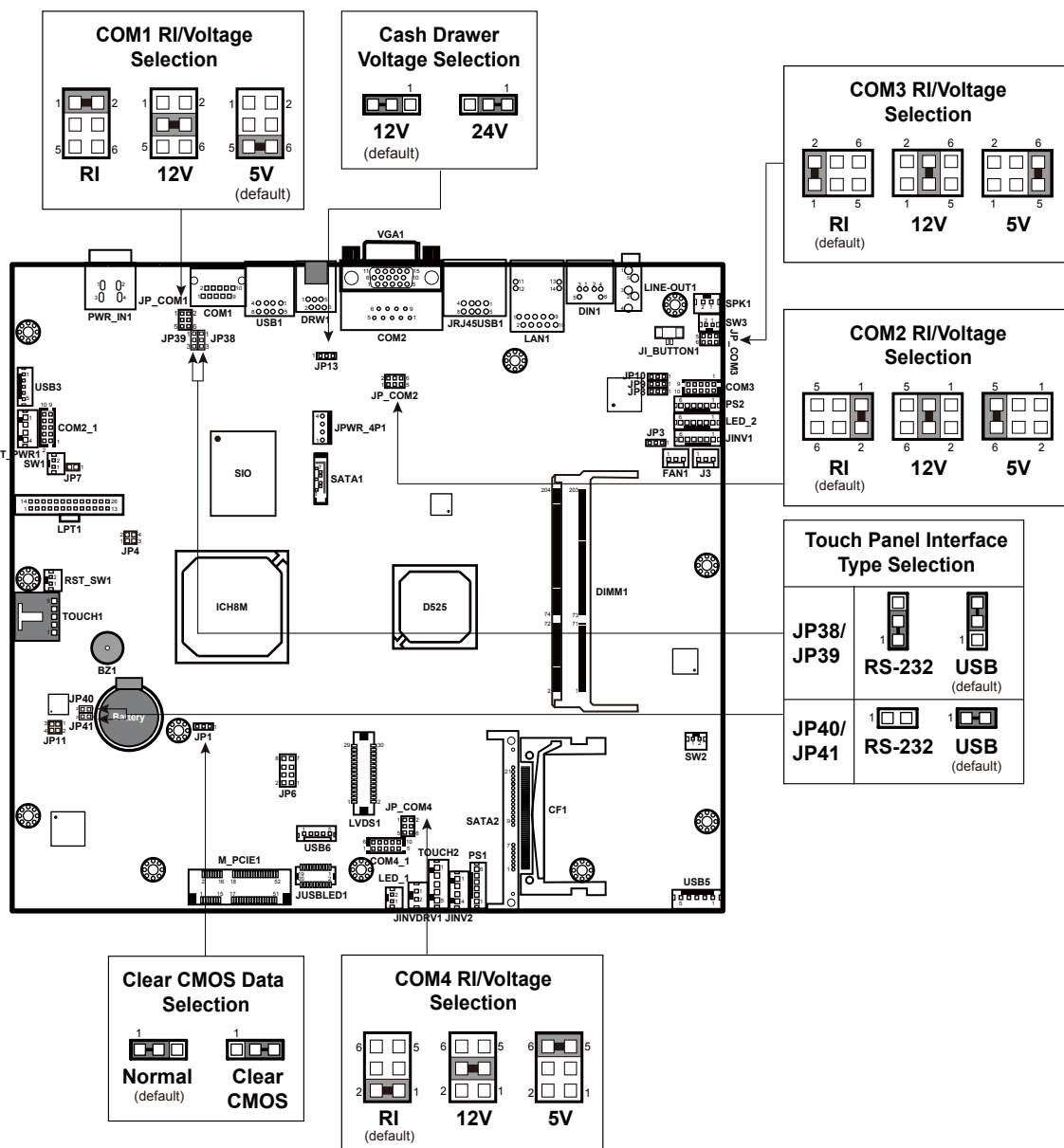
STEP3: FOLLOW ARROW TO PUSH HDD CHASSIS

STEP4: FOLLOW ARROW TO PULL HDD TRAY

STEP5: RELEASE HDD MODULE



### Jumper Setting



### Safety Precaution

The following messages are safety reminders on how to protect your systems from damages, and extending the life cycle of the system.

#### 1. Check the Line Voltage

- Make sure the operating voltage range is between 100V and 240V AC; otherwise, the system could be damaged.

#### 2. Environmental Conditions

- Place your POS-6920 on a sturdy, level surface. Be sure to allow enough space around the system to have easy access needs.
- Avoid installing the system in extremely hot or cold places.
- Avoid exposure to sunlight for a long period of time or in an airtight room.
- Also, avoid the system from any heating device or using the POS-6920 when it has been left outdoors in a cold winter day.
- Bear in mind that the operating ambient temperature is between 0°C and 35°C (32°F~ 95°F).
- Avoid moving the system rapidly from a hot place to a cold place, and vice versa, because condensation may occur inside the system.
- Operate the POS-6920 in strong vibration may cause hard disk failure.
- Do not place the system too close to any radio-active device. Radio-active device may cause signal interference.
- Always shutdown the operating system before turning off the power.

#### 3. Handling

- Avoid placing heavy objects on the top of the system.
- Do not turn the system upside down. This may cause the hard drive to malfunction.
- Do not allow any objects to fall into this product.
- If water or other liquid spills into this product, unplug the power cord immediately.

#### 4. Good Care

- When the outside case gets stained, remove the stains using neutral washing agent with a dry cloth.
- Never use strong agents such as benzene and thinner to clean the surface of the case.
- If heavy stains are present, moisten a cloth with diluted neutral washing agent or alcohol and then wipe thoroughly with a dry cloth.
- If dust is accumulated on the case surface, remove it using a special vacuum cleaner for computers.
- Do not replace the motherboard battery by yourself, or serious damage may occur.