

# PA-5822(PPC)

› 15" Fanless Slim POS Terminal / Panel PC



## Features



- Fanless design with Intel® Celeron® J1900 CPU
- 15" LCD display with bezel-free touchscreen
- Aluminum die casting back cover
- HDD easy maintenance design
- Versatile design for multiple applications
- MSR / i-Button / Fingerprint / RFID / Barcode Scanner / Camera (Optional)
- VESA 100 x 100 standard

## Specifications



System	CPU Support	Intel® Celeron® J1900 CPU
	Memory	1 x DDR3L SO-DIMM slot (up to 8GB)
	Network	Gigabit 10/100/1000 Base-T Fast Ethernet
	Power Supply	60 watt power adapter
	Audio	2W speaker
	System Weight	With power adapter approx. 7 kg (POS) / 3.8 kg (PPC)
	Dimensions (W x H x D)	POS type: 375 x 364 x 290 mm (45 degrees) PPC type: 375 x 305 x 59.2 mm
	O.S. Support	Windows 10 IoT Enterprise / Windows 8.1 / POSReady 7
Storage	SATA	1 x 2.5" HDD or SSD
I/O Ports	USB	Rear: 3 x USB 2.0 / 1 x USB 3.0 Side: 1 x USB 2.0
	Serial Ports	3 + 1 (optional) x RJ45 (all support +5V/+12V selectable)
	LAN	1 x RJ45
	VGA	1 x DB15
	Cash Drawer	1 x RJ11 (+12V or +24V selectable)
	DC In	1 x 4 pin DC power jack
Add-ons	Customer Display	VFD kit, 20 columns and 2 lines, each column is 5 x 7 dots
	MSR & i-Button	ISO I, II, III; JIS II and support information key
	RFID	ISO14443A read / write; ISO18092 read only
	Fingerprint	8-bit grayscale reader
	Camera	2.0M pixel CMOS camera module
Barcode Scanner	1D: EAN-13, EAN-8, UPC-A, UPC-E, ISSN, ISBN, Codabar, Code 128, Code 93, ITF-6, ITF-14, Interleaved 2 of 5, Industrial 2 of 5, Standard 2 of 5, Matrix 2 of 5, GS1 Databar, Code 39, Code 11 2D: PDF417, QR Code, Micro QR, Data Matrix.	
Display	LCD	15" TFT LCD
	Max. Resolution	1024 x 768
	Brightness	300 cd/m <sup>2</sup>
	Touchscreen	Bezel-free: 5-wire analog resistive or projected capacitive
	Tilt Angle	0~50 degrees
Environment	EMC & Safety	CE / FCC
	Operating Temp.	0°C~35°C
	Storage Temp.	-5°C~60°C
	Humidity	20%~90%

\*All information contained in this document is subject to change without prior notice. Please log on [www.protech.com.tw](http://www.protech.com.tw) to acquire latest information.

# Applications

- Retail
- Food Service
- Information
- Hospitality

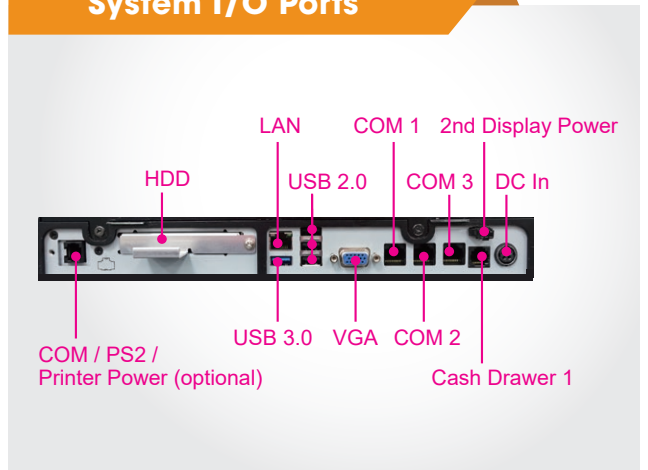
## POS Highlights



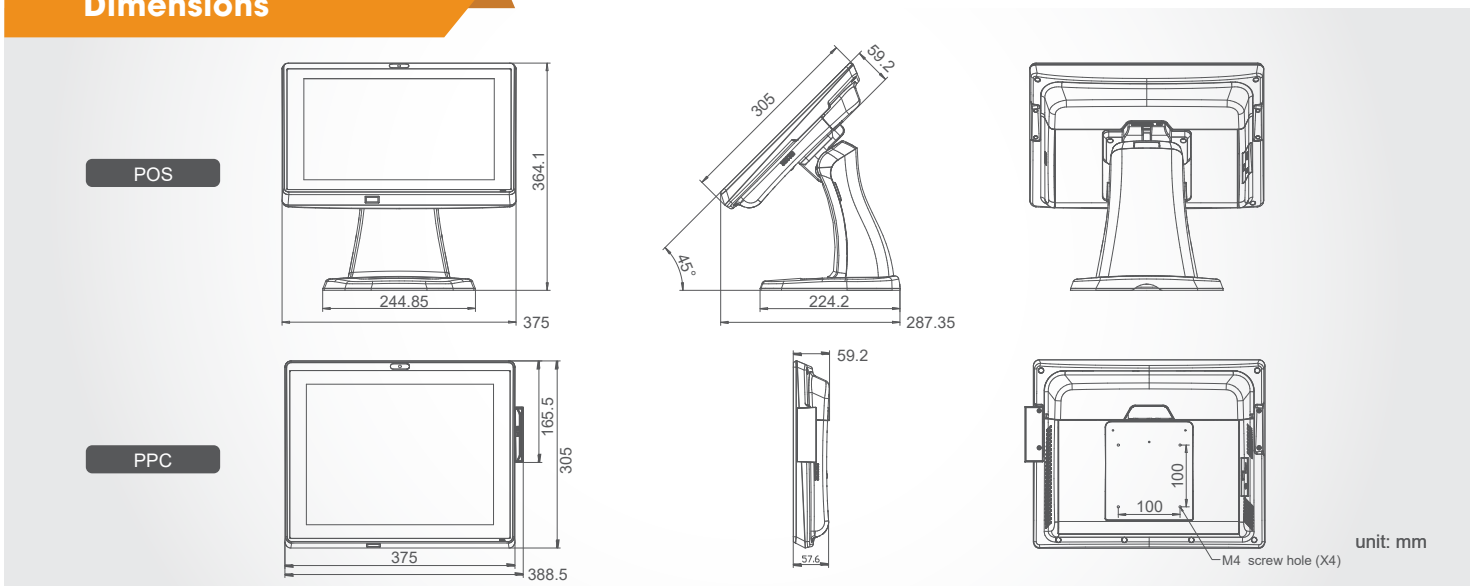
## PPC Highlights



## System I/O Ports



## Dimensions



unit: mm

# PA-5822(PPC)

> 15" Fanless Slim POS Terminal / Panel PC



## Features



- Fanless design with Intel® Celeron® J1900 CPU
- 15" LCD display with bezel-free touchscreen
- Aluminum die casting back cover
- HDD easy maintenance design
- Versatile design for multiple applications
- MSR / i-Button / Fingerprint / RFID / Barcode Scanner / Camera (Optional)
- VESA 100 x 100 standard

## Specifications



System	CPU Support	Intel® Celeron® J1900 CPU
	Memory	1 x DDR3L SO-DIMM slot (up to 8GB)
	Network	Gigabit 10/100/1000 Base-T Fast Ethernet
	Power Supply	60 watt power adapter
	Audio	2W speaker
	System Weight	With power adapter approx. 7 kg (POS) / 3.8 kg (PPC)
	Dimensions (W x H x D)	POS type: 375 x 364 x 290 mm (45 degrees) PPC type: 375 x 305 x 59.2 mm
	O.S. Support	Windows 10 IoT Enterprise / Windows 8.1 / POSReady 7
Storage	SATA	1 x 2.5" HDD or SSD
I/O Ports	USB	Rear: 3 x USB 2.0 / 1 x USB 3.0 Side: 1 x USB 2.0
	Serial Ports	3 + 1 (optional) x RJ45 (all support +5V/+12V selectable)
	LAN	1 x RJ45
	VGA	1 x DB15
	Cash Drawer	1 x RJ11 (+12V or +24V selectable)
	DC In	1 x 4 pin DC power jack
Add-ons	Customer Display	VFD kit, 20 columns and 2 lines, each column is 5 x 7 dots
	MSR & i-Button	ISO I, II, III; JIS II and support information key
	RFID	ISO14443A read / write; ISO18092 read only
	Fingerprint	8-bit grayscale reader
	Camera	2.0M pixel CMOS camera module
Barcode Scanner	1D: EAN-13, EAN-8, UPC-A, UPC-E, ISSN, ISBN, Codabar, Code 128, Code 93, ITF-6, ITF-14, Interleaved 2 of 5, Industrial 2 of 5, Standard 2 of 5, Matrix 2 of 5, GS1 Databar, Code 39, Code 11 2D: PDF417, QR Code, Micro QR, Data Matrix.	
Display	LCD	15" TFT LCD
	Max. Resolution	1024 x 768
	Brightness	300 cd/m <sup>2</sup>
	Touchscreen	Bezel-free: 5-wire analog resistive or projected capacitive
	Tilt Angle	0~50 degrees
Environment	EMC & Safety	CE / FCC
	Operating Temp.	0°C~35°C
	Storage Temp.	-5°C~60°C
	Humidity	20%~90%

\*All information contained in this document is subject to change without prior notice. Please log on [www.protech.com.tw](http://www.protech.com.tw) to acquire latest information.

# Applications

- Retail
- Food Service
- Information
- Hospitality

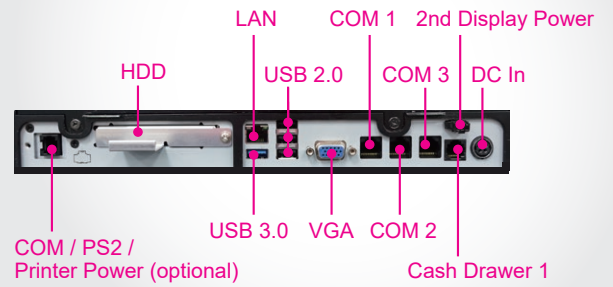
## POS Highlights



## PPC Highlights



## System I/O Ports



## Dimensions

