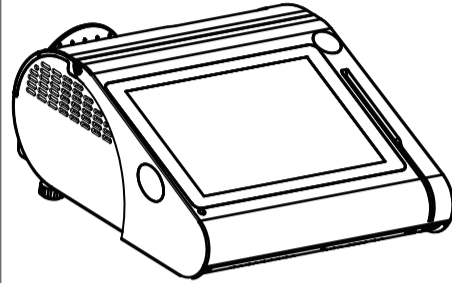


PA-3222

Quick Reference Guide



Ver. Q1

All Rights Reserved. Copyright 2017

Packing Checklist

If you discover any item below was damaged or lost, please contact your vendor

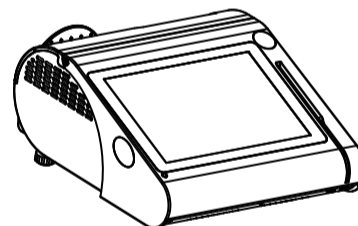
- PA-3222 X 1
- This Quick Reference Guide X 1
- AC Power Cord (Optional) X 1
- Driver DVD X 1
- MSR Card Reader (Optional) X 1
- i-Button + MSR Card Reader (Optional) X 1
- Wireless LAN (IEEE 802.11 b+g) (Optional) X 1
- VFD (Optional) X 1

Specifications

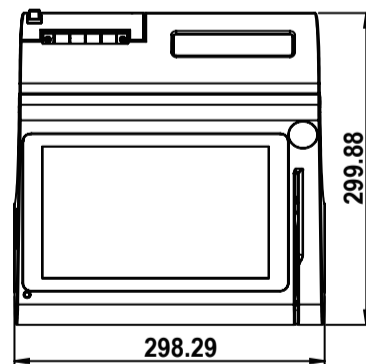
System	CPU Support	Intel®Celeron® J1900 CPU
	Memory	1 x DDR3L SO-DIMM slot (up to 8GB)
	Network	10/100/1000Mbps Base-T Fast Ethernet
	Power Supply	60~90 Watt Power Adapter
	Audio	2W Speaker
	System Weight	with power adaptor approx. 4 kg
	Dimension	300 x 299 x 135 mm
	O.S. Support	WIN10 / WIN8.1 / POSReady7 / Android 4.4
Storage	SATA	1 x 2.5" HDD or SSD
I/O Ports	USB	3 x USB2.0 +1 x USB3.0 on rear, 1 x USB2.0 on side bezel
	Serial Ports	3 x RJ45 (support +5V/12V selectable) + 1 (optional) x DB9
	LAN	1 x RJ45
	VGA	1 x DB15
	Cash Drawer	1+1(option, with Y cable) x RJ11 (+12V or +24V selectable)
	DC IN	1 x 4-pin DC Power Jack
Peripheral	Customer Display	VFD, 20 columns and 2 lines, each column is 5 x 7 dots
	Printer	2" or 3" easy loading thermal printer with Auto cutter
	MSR & iButton	JIS I,II , ISO Track1+2+3 (PS/2 interface)
	Fingerprint	8-bit grayscale, reader
Display	LCD	10.1" TFT LCD
	Resolution	1280 x 800
	Brightness	400 cd/m ²
	Touch Screen	10.1" Capacitive Touch panel, USB I/F (EETI controller)
Environment	Tilt Angle	24 ~ 30 degree
	EMC & Safety	CE / FCC
	Operating Temp.	0°C ~ 35°C (32°F ~ 95°F)
	Storage Temp.	-5°C ~ 60°C (23°F ~ 140°F)
Humidity	20% ~ 90%	

System View

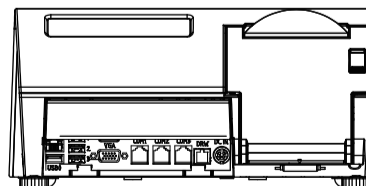
Front View



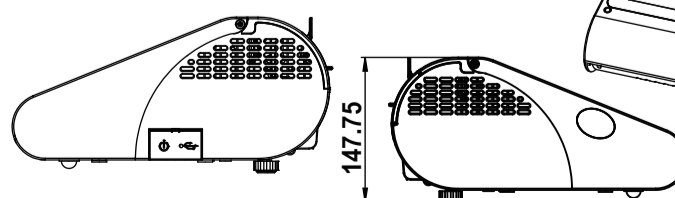
Top View



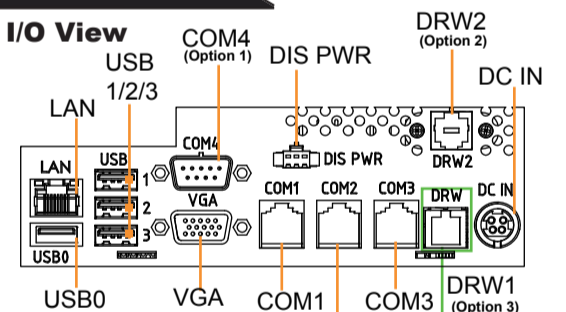
Rear View



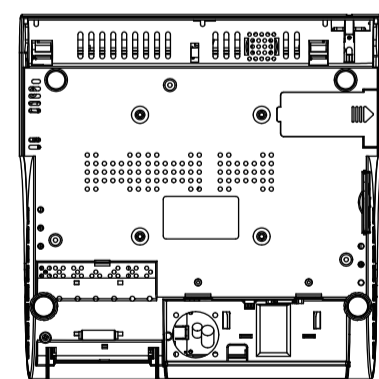
Side View



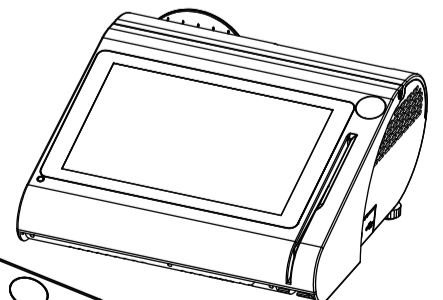
I/O View



Bottom View



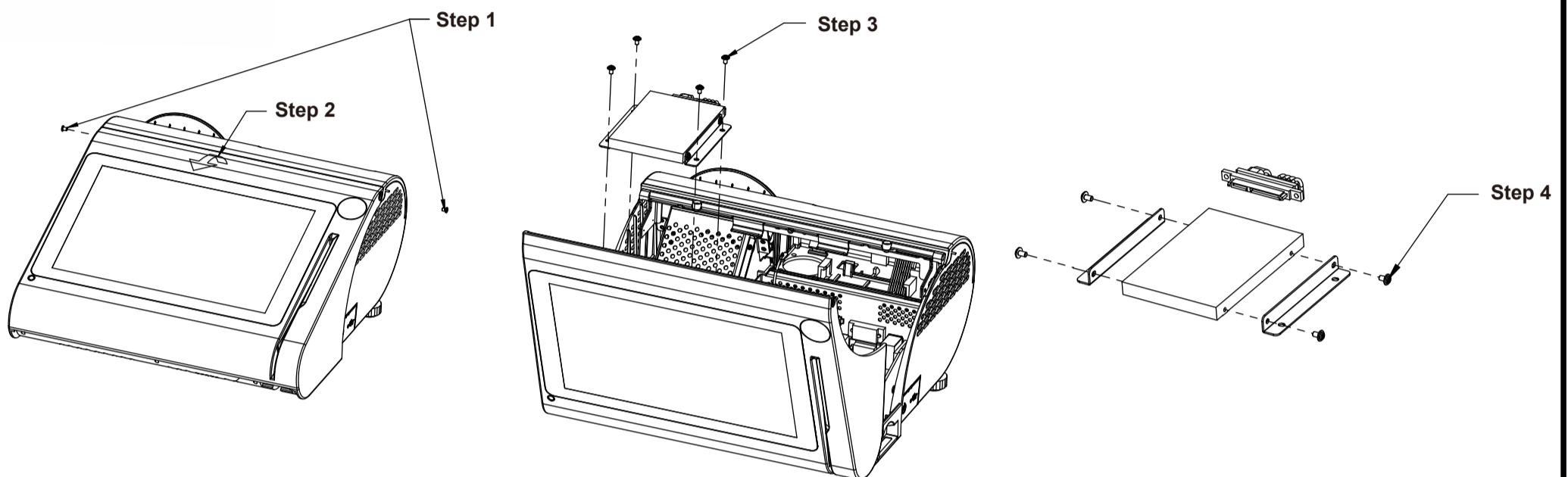
Quarter View



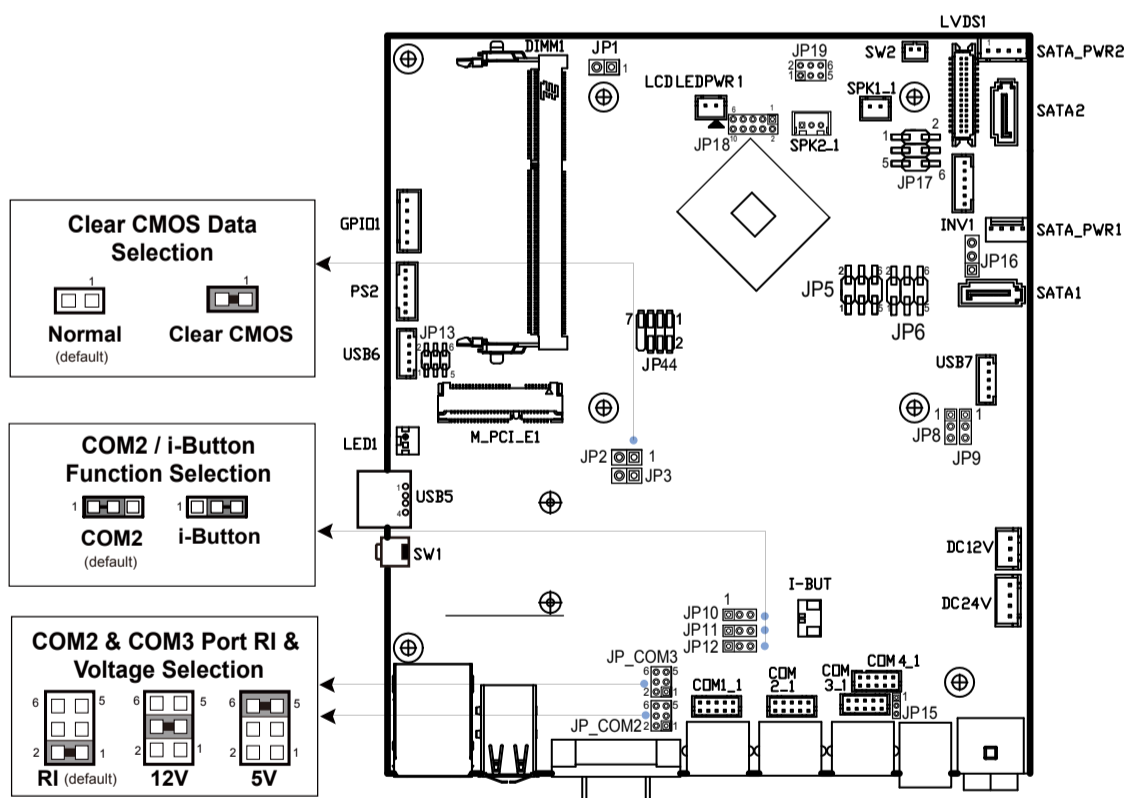
PA-3222

The One-of-a-kind Highly Integrated Fanless 10.1" POS Terminal

Easy Maintenance



Jumper Setting



▶ Parallel Port Configuration
Cash drawer [Cash drawer 12V]
Change Settings [Auto]
COM1 Voltage select [Disabled]

- COM1/COM4/Cash Drawer:**
- Voltage of external COM1&4 & Cash Drawer are made to control on BIOS for your convenience.
 - Voltage control is adjustable by BIOS or jumpers. You cannot adjust the voltage by BIOS and jumpers at the same time in case of system error, component damage or serious boot failure.
 - COM2/ COM3**
Voltage of COM2 & COM3 Ports are made to control by jumpers on the board.

Safety Precaution

The following messages are safety reminders on how to protect your systems from damages, and extending the life cycle of the system.

- 1. Check the Line Voltage**
 - Make sure the operating voltage range is between 100V and 240V AC; otherwise, the system could be damaged.
- 2. Environmental Conditions**
 - Place your PA-3222 on a sturdy, level surface. Be sure to allow enough space around the system to have easy access needs.
 - Avoid installing the system in extremely hot or cold places.
 - Avoid exposure to sunlight for a long period of time or in an airtight room.
 - Also, avoid the system from any heating device or using the PA-3222 when it has been left outdoors in a cold winter day.
 - Avoid moving the system rapidly from a hot place to a cold place, and vice versa, because condensation may occur inside the system.
 - Operate the PA-3222 in strong vibration may cause hard disk failure.
 - Do not place the system too close to any radio-active device. Radio-active device may cause signal interference.
 - Always shutdown the operating system before turning off the power.
- 3. Handling**
 - Avoid placing heavy objects on the top of the system.
 - Do not turn the system upside down. This may cause the hard drive to malfunction.
 - Do not allow any objects to fall into this product.
 - If water or other liquid spills into this product, unplug the power cord immediately.
- 4. Good Care**
 - When the outside case gets stained, remove the stains using neutral washing agent with a dry cloth.
 - Never use strong agents such as benzene and thinner to clean the surface of the case.
 - If heavy stains are present, moisten a cloth with diluted neutral washing agent or alcohol and then wipe thoroughly with a dry cloth.
 - If dust is accumulated on the case surface, remove it using a special vacuum cleaner for computers.
 - Do not replace the motherboard battery by yourself, or serious damage may occur.

CAUTION! Danger of explosion if battery is incorrectly replaced. Replace only with the same or equivalent type recommended by the manufacturer. Dispose of used batteries according to the manufacturer's instructions.

WARNING! Some internal parts of the system may have high electrical voltage. Therefore we strongly recommend qualified engineers open and disassemble the system. The LCD and touch screen are easily breakable; please handle them with extra care.