

PA-3211

› One-of-a-kind Highly Integrated 10.1" RISC POS Terminal



Features



- Fanless design with actions S500
- 10.1" LCD display with bezel-free capacitive touch
- Versatile design for multiple applications
- MSR / i-Button / VFD / Printer / wireless LAN (Optional)
- Support Android 5.1 version

Specifications



System	CPU Support	ARM Cortex-A9
	Memory	DDR3L1GB on board
	Storage (Flash)	16GB eMMC on board
	Network	10/100 Mbps Ethernet
	Power Supply	60 watt power adapter
	Audio	2W speaker
	System Weight	With power adapter approx. 4 kg
	Dimensions (W x H x D)	299 x 148 x 300 mm
	O.S. Support	Android 5.1
I/O Ports	Standard SDHC	Up to 32GB
	USB	Rear: 1 x USB 2.0 / 1 x Micro USB for image update only Side: 1 x USB 2.0
	Serial Ports	All +5V/+12V selectable Rear: 1 x DB9 (RX, TX, RTS, CTS) Internal: 3 x Wafer (RX, TX) for Reserve
	LAN	1 x RJ45
	VGA	1 x DB15
	Cash Drawer	1 x RJ11 (+12V or +24V selectable)
	DC In	1 x 4 pin DC Power Jack
Add-ons	Customer Display	VFD, 20 columns and 2 lines, each column is 5 x 7 dots / UART interface
	Printer	2" or 3" easy loading thermal printer with auto-cutter / USB interface
	MSR & iButton	ISO I,II,III; JIS I,II and UART interface
Display	LCD	10.1" TFT LCD
	Resolution	1280 x 800
	Brightness	400 cd/m ²
	Touchscreen	10.1" capacitive touch panel
	Tilt Angle	24~30 degrees
Environment	EMC & Safety	CE / FCC
	Operating Temp.	0°C~35°C
	Storage Temp.	-20°C~60°C
	Humidity	20%~90%

*Panel LED Backlight operating life time: 30,000 hrs (Ta=25°C), if Ta=35°C, Panel LED Backlight will be reduced to: 26,000 hrs.

*All information contained in this document is subject to change without prior notice. Please log on www.protech.com.tw to acquire latest information.

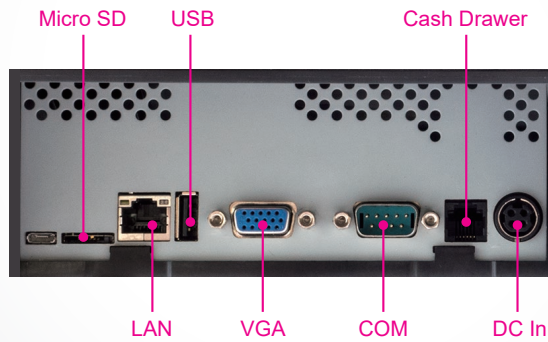
Applications

- Automation
- Retail
- Transportation
- Food Service
- Banking
- Information

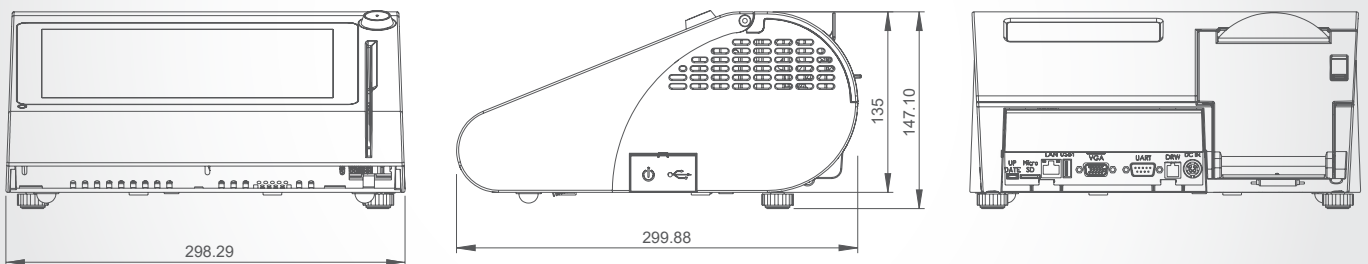
Highlights



System I/O Ports



Dimensions



unit: mm