

# PA-1922

> Semi-Self Service Payment POS



## Features



- Multiple payment methods: "Note", "Coin", "Barcode" and placeholder for credit card reader
- 15" sales clerk touch display, 10.4" customer touch display
- Cash supported countries: EU, SG, UK on cash
- Easy to maintain via modular design

## Specifications



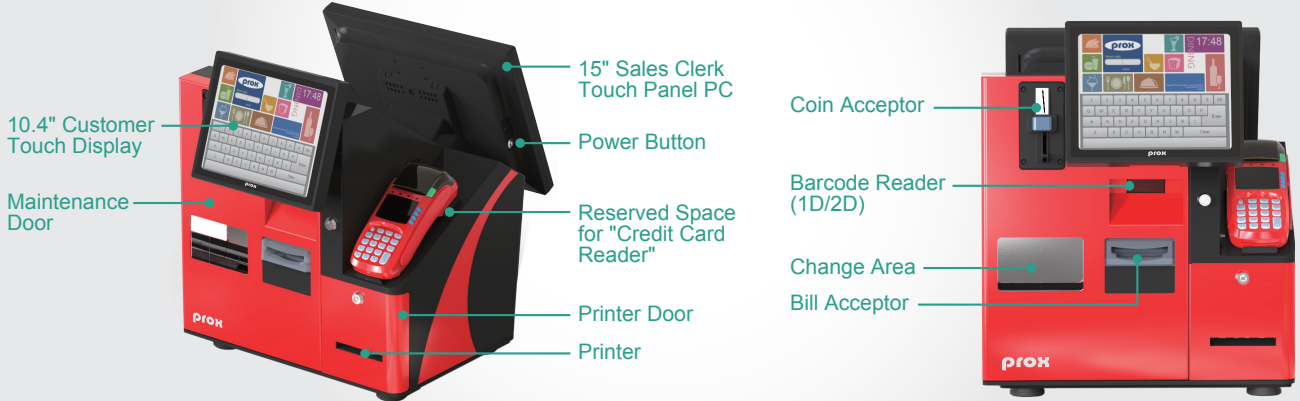
System	Dimensions (W x H x D)		450 x 540 x 530 mm
	Weight		Without packing approx. 40 kg With packing approx. 50 kg (Without notes & coins)
	Power Supply		AC 100-240V available
	Certifications		EMI: Class A; ESD: Air 8KV / Contact 4KV
	O.S. Support		Windows 10 IoT Enterprise / POS Ready7
	Temperature		Operating: 0°C~35°C; Storage: -20°C~60°C
	Humidity		Operating & Storage: 20%~85% (no condensation)
	I/O Ports <small>(in rear lower of cube-body)</small>	Power Input	1 x D-type socket, AC 100-240V available
Power Switch		1 x Power button (left side of Panel PC)	
USB		4 x USB Type-A	
RS232		1 x RJ45	
LAN Port		1 x RJ45	
Sales Clerk Side		Panel-PC	LCD
	CPU		Intel® Celeron® J1900
	Memory		1 x DDR3L SO-DIMM
	Storage		1 x 2.5" SATA
	Options		Vertical MSR & iButton (JIS-I or II, ISO Track1+2+3) Vertical Fingerprint (8-bit grayscale reader)
Customer Side	Note Acceptor & Recycling Units Capacity		Acceptor: 300 notes 2 recycling units, each 30 for banknotes
	Coin Acceptor		Coin-by-coin
	Hopper Capacity		About €1 x 1300pcs
	Touch Display		10.4" 5-wire resistive touch & XGA LCD
	Thermal Printer		Epson 3" thermal printer module, support up to 130 mm paper roll
	Barcode Reader		1D: UPC-A, UPC-E, EAN-8, EAN-13, UCC/EAN-128, Code 39, Code 93, Interleaved 2 of 5, Codabar, MSI, GS1 Databar
			2D: PDF417, MicroPDF417, DataMatrix, QR Code, MaxiCode

\*All information contained in this document is subject to change without prior notice. Please log on [www.protech.com.tw](http://www.protech.com.tw) to acquire latest information.

## Applications

- Retail
- Food Service

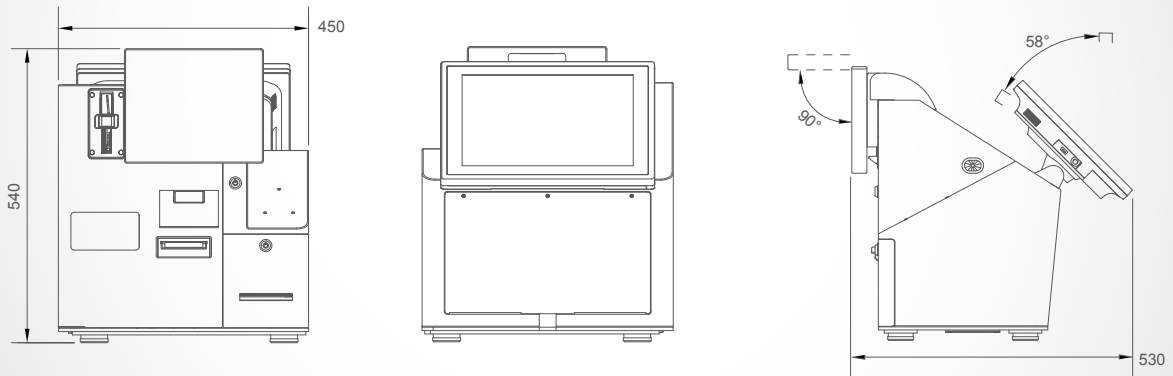
## Highlights



## System I/O Ports



## Dimensions



unit: mm