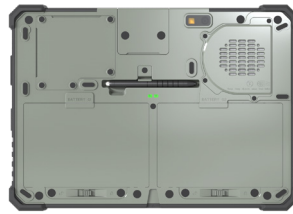


# MH-T01T



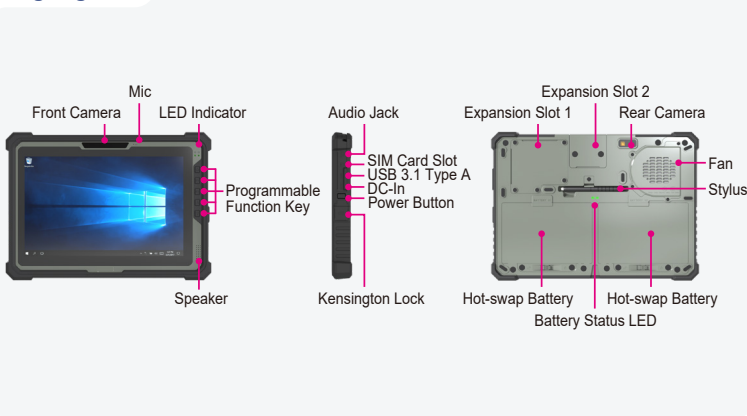
## 10.1" Windows Rugged Tablet with Intel® 11th Gen. Core™ i7 / i5 / i3 / Celeron® Processor



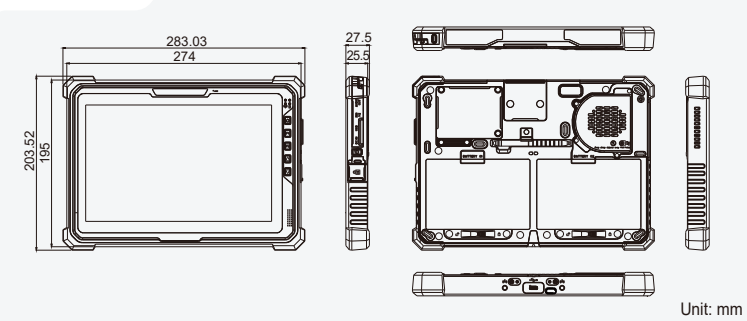
### Features

- 10.1" WUXGA (1920 x 1200 Resolution) Display OCA direct bonding with Anti-Fingerprint / Corning Gorilla Glass P-Cap Multi-Touch
- High Performance Design with Intel® 11th Gen. Core™ i7 / i5 / i3 / Celeron® Processor and Windows 10 IoT (64 bits)
- Durable Design with IP65 Rating (per IEC 60529) and 1.5m Drop Test (per MIL-STD-810H)
- Dual-main Battery Design with Hot-swap and up to 8h operating
- Multi-peripherals and Accessories
- Wide-ranged temperature and Light weight 1.28 kg (Tablet only)
- Integrated with LIPS 3D Camera for Logistics dimension measurement application

### Highlights



### Dimensions



### Application

- Automation
- Asset Tracking
- Warehouse
- Manufacturing
- Retail
- Transportation
- Logistics
- Power Patrol Inspection



### Specifications

Display Specification	
Size	10.1"
Resolution	WUXGA (1920 x 1200 pixels, 16:10)
Brightness	1,000 nits for Sunlight readable
Backlight Lifetime	30,000 hours
Touch	P-CAP Multi-Touch with Anti-Fingerprint and Corning Gorilla Glass (Support Finger/ Stylus/ Glove/ Raindrop)
Bonding Technology	LCD Optical Clear Adhesive direct bonding with Touch
System Specification	
Processor	Intel® Core™ i7-1185G7E (4C) 1.80 GHz Intel® Core™ i5-1145G7E (4C) 1.50 GHz Intel® Core™ i3-1115G4E (2C) 2.20 GHz Intel® Celeron® 6305E (2C) 1.80 GHz
Operating System	Windows® 10 IoT Enterprise 2021 LTSC, Windows 11 IoT Enterprise 2024 LTSC
Memory	1 x DDR4 3200 SO-DIMM socket (up to 16 GB)
Storage	1 x M.2 NVMe SSD (up to 1TB)
Audio	1 x 2 W Speaker and 1 x Mic
Sensor	G-Sensor, Ambient Light Sensor
Vibrator	Yes
TPM	TPM 2.0
LED Indicators	1 x tri-color LED (Green/ Yellow/ Red) for Power/ Battery status indication 1 x Green LED for WiFi/ LTE/ 5G connection indication
Buttons	6 x Buttons (1 x Power Button, 1 x Home Key, 2 x Function Key, 1 x Volume+, 1 x Volume-, Function Keys are programmable)
Battery	2 x 10.8 V/ 2330 mAh Li-Ion Battery for Hot-swap and up to 8 hours operating (per Mobilemark 2014)
AC Adapter	DC Jack 19V or USB Type-C Power Delivery 20V
Dimension (W x H x D)	274 x 195 x 22 mm (without 4-corner rubber)
Weight	1.28 kg (Tablet only)
I/O Ports	
USB	1 x USB 3.0 Type A 1 x USB 3.0 Type-C for Charging with PD/Data Transmission/ Display 1 x USB 3.0 Type A (optional)
Audio Jack	1 x Headset (Headphone out/ Mic-in combo)
Nano-SIM Slot	1 x Dual-Nano-SIM 4G LTE/ 5G
Expansion Slots	Expansion Slot 2 for 2D barcode, COM port, USB 3.0 Type A, MicroSD card, LAN port (optional); Expansion Slot 1 for 3D Camera, Card Reader, Fingerprint, etc (optional)
Communications	
WLAN	Wi-Fi 802.11 a/b/g/n/ac (WiFi 5) or 802.11 a/b/g/n/ac/ax (WiFi 6E)
Bluetooth	Bluetooth 5.3
GNSS	GPS, GLONASS (Optional)
WWAN	4G LTE or 5G for North America/ Europe/ Taiwan/ Japan (Optional)
Optional Peripherals and Accessories	
1D/2D Barcode	Honeywell N4680
Camera	2 MP Front Camera (optional, Windows hello Camera) 8 MP Rear Camera (optional) 3D Camera for Logistics dimension measurement application (optional)
Hand Strap	Yes
Shoulder Strap	Yes
Stylus	Capacitive Stylus
TP Protector	9H Glass Touch Panel Protector
Cradle	Yes (Optional)
Vehicle Cradle	Yes (Optional)
Fingerprint Reader	Yes (Optional)
Card Reader	Yes (Optional)
Reliability and Environment	
ESD	Contact +/-8 kV and Air +/- 15 kV
EMI	Class B
IP Rating	IP65 per IEC 60529
Drop Test	1.5 m per MIL-STD-810H
Tumble Test	1000 tumbles, 0.5 m per IEC 60068-2-32
Shock	Per MIL-STD-810H
Vibration	Per MIL-STD-810H
Operating Temp.	-20°C~60°C (AC mode) and -10°C~50°C (Battery mode) Above 0°C (Boot up)
Storage Temp.	-20°C~60°C (-4°F~140°F)
Humidity	10%~90% non-condensing
Certification	
Certificate	CE, FCC, BSMI, PSE, Battery with UN 38.3 and IEC 62133

\* All information contained in this document is subject to change without prior notice. Please log on [www.protech.com.tw](http://www.protech.com.tw) to acquire latest information. For detail mechanics drawing, please contact our sales.