



## 32" Multi-Function Self Ordering Kiosk



### Features

- QSR, fast casual restaurant and ticketing market
- Large screen menu for self ordering application
- Wall-mount / dual-side / floor-stand
- Compact design with 32" touchscreen
- Available with Intel Core-i
- Available with Windows 11 Enterprise, Windows 10 IoT
- Motion sensor for marketing applications
- Easy maintenance via modular design

### Applications

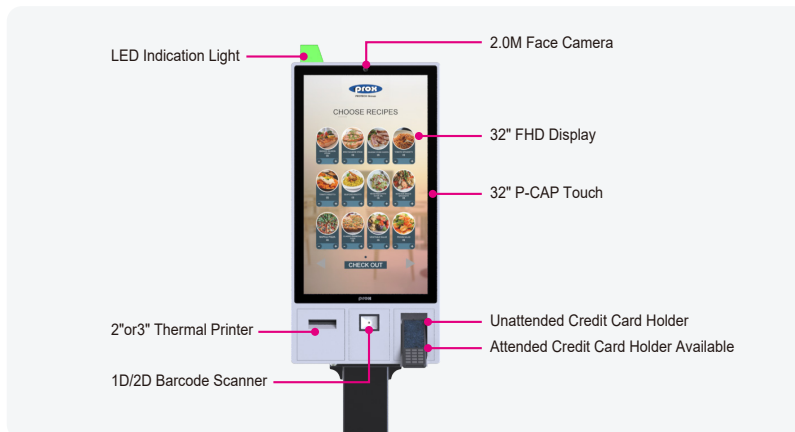
- QSR self ordering kiosk
- Retail and chain store kiosk
- Ticket selling service kiosk
- Hospital service kiosk
- Library service kiosk
- Food ordering and payment kiosk



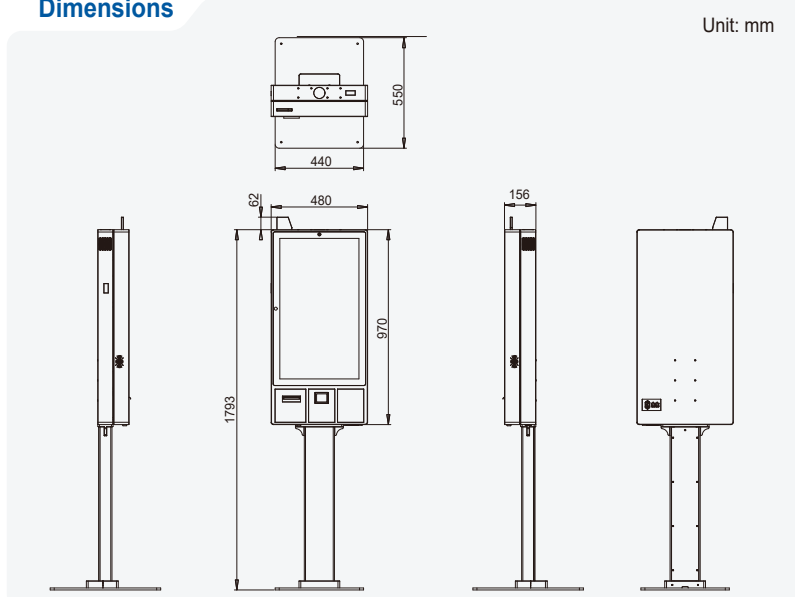
### Specifications

System	
CPU Type	Intel® Core™ i5-1145G7E Intel® Core™ i3-1115G4E Intel® Celeron® 6305E
Memory	1 x DDR4 SO-DIMM socket (default 4GB)
HDD	1 x M.2 2280 SATA III or NVMe SSD (default 128GB)
Network	1 x Gigabit 10/100/1000 Base-T Fast Ethernet (RJ45) 2 x RJ45 reserved connectors
Power Supply	100V-240V available
System Weight	34 kg without floor stand 63 kg with floor stand
Dimensions (W x H x D)	With Stand: 440 x 1780 x 550 mm Without Stand: 478 x 966 x 73 mm
O.S. Support	Windows 11 / Windows 10
Operating Display	
LCD	32" TFT LCD
Max. Resolution	1920 x 1080
Brightness	400 cd/m <sup>2</sup>
Touchscreen	Projected capacitive touch
Viewing Angle	Horizontal: (R) 89° / (L) 89° Vertical: (U) 89° / (L) 89°
Add-ons	
Barcode Scanner	2D: PDF 417, QR Code, Micro QR, Data Matrix, Aztec, Maxicode, Chinese Sensible Code, GM Code, Micro PDF417 Code, Code One 1D: EAN-8, EAN-13, UPC-E, UPC-A, Code 128, UCC/EAN 128, I2Of5, ITF-14, ITF-6, Matrix 25, CodaBar, Code 39, Code 93, ISSN, ISBN, Industrial 25, Standard 25, Plessey, Code11, MSI-Plessey, UCC/EAN Composite, GS1 Databar, Code 49, Code 16K
Thermal Printer	2" or 3" standalone thermal printer for 80 mm paper roll
Environment	
EMC & Safety	CE / FCC
Operating Temp.	0°C~40°C
Storage Temp.	0°C~60°C
Humidity	20%~85% (no condensation)

### Highlights



### Dimensions



\* All information contained in this document is subject to change without prior notice. Please log on [www.protech.com.tw](http://www.protech.com.tw) to acquire latest information. For detail mechanics drawing, please contact our sales.