



Multi-Function Kiosk



Features

- 1 for 2 design for service ordering and kitchen display
- Lightweight design with aluminum structure
- Cold swappable with Intel ATOM and Core-i
- Payment barcode scanner & thermal printer
- Reserved customized design for credit card and contactless payment

Applications

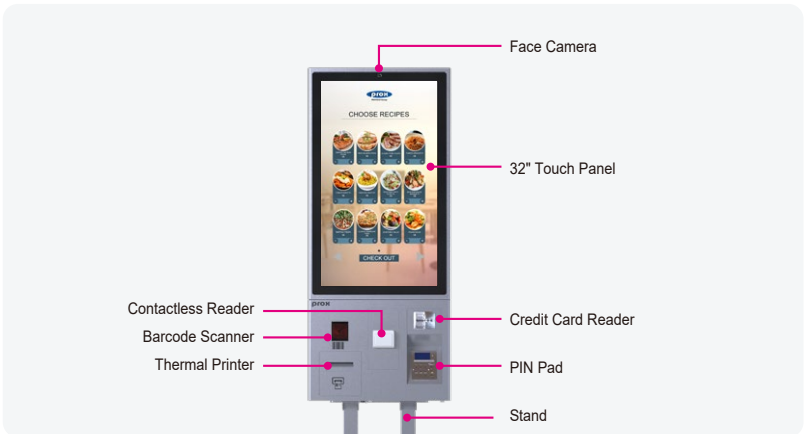
- Kitchen Display
- QSR KIOSK
- Self-Ordering KIOSK
- Self-Checkout KIOSK
- Information KIOSK



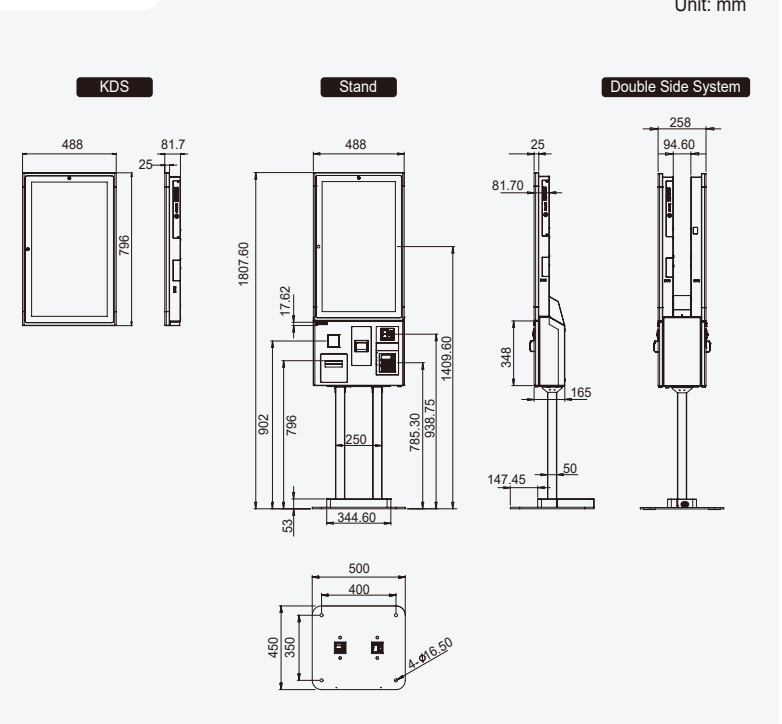
Specifications

System	
CPU	Hi-End: Intel® Core i7-7600U / Core i5-7300U / i3-7100U Entry: Intel® Celeron® J3455 CPU
Memory	Hi-End: 1 x DDR4 SO-DIMM slot (Default: 4GB) Entry: 1 x SO-DIMM socket, supporting 1600/1867 DDR3L memory up to 8G (non-ECC)
Storage	1 x 2.5" SATA
Network	1 x Gigabit 10/100/1000 Base-T Fast Ethernet for system 1 x RJ45 reserved for credit card reader
Power Supply	100-240V with Miniature Circuit Breaker and Earth Leakage Module Selectable
System Weight	Cashless Ordering Kiosk: 64kg Kitchen Display: 20.7kg
Dimensions (W x H x D)	Cashless Ordering Kiosk: 500 x 1810 x 500mm (Floor Stand Type) Cashless Ordering Kiosk: 488 x 1141 x 165mm (Wall Mount Type) Kitchen Display: 488 x 800 x 81mm
O.S. Support	Windows 10
Operating Display	
LCD	32" TFT LCD
Max. Resolution	1920 x 1080
Brightness	400 cd/m ²
Touchscreen	Projected Capacitive Touch
Viewing Angle	Horizontal: (R) 89° / (L) 89° Vertical: (U) 89° / (D) 89°
Add-ons	
Face Camera (optional)	2.1M FHD Camera
Barcode Scanner (optional)	1D / 2D Barcode
Thermal Printer (optional)	2" or 3" Standalone Thermal printer for 80mm paper roll w/ paper near end Resolution 203dpi Printing Speed 170mm/s
Wi-Fi Module (optional)	Dual-band (2.4/5GHz) IEEE 802.11a/b/g/n/ac 2T/2R MIMO
Environment	
EMC & Safety	CE / FCC / LVD
Operating Temp.	5°C~35°C
Storage Temp.	0°C~60°C
Humidity	20%~85% (no condensation)

Highlights



Dimensions



* All information contained in this document is subject to change without prior notice. Please log on www.protech.com.tw to acquire latest information. For detail mechanics drawing, please contact our sales.