

KF-7130

Quick Reference Guide



Ver. Q1

Packing Checklist

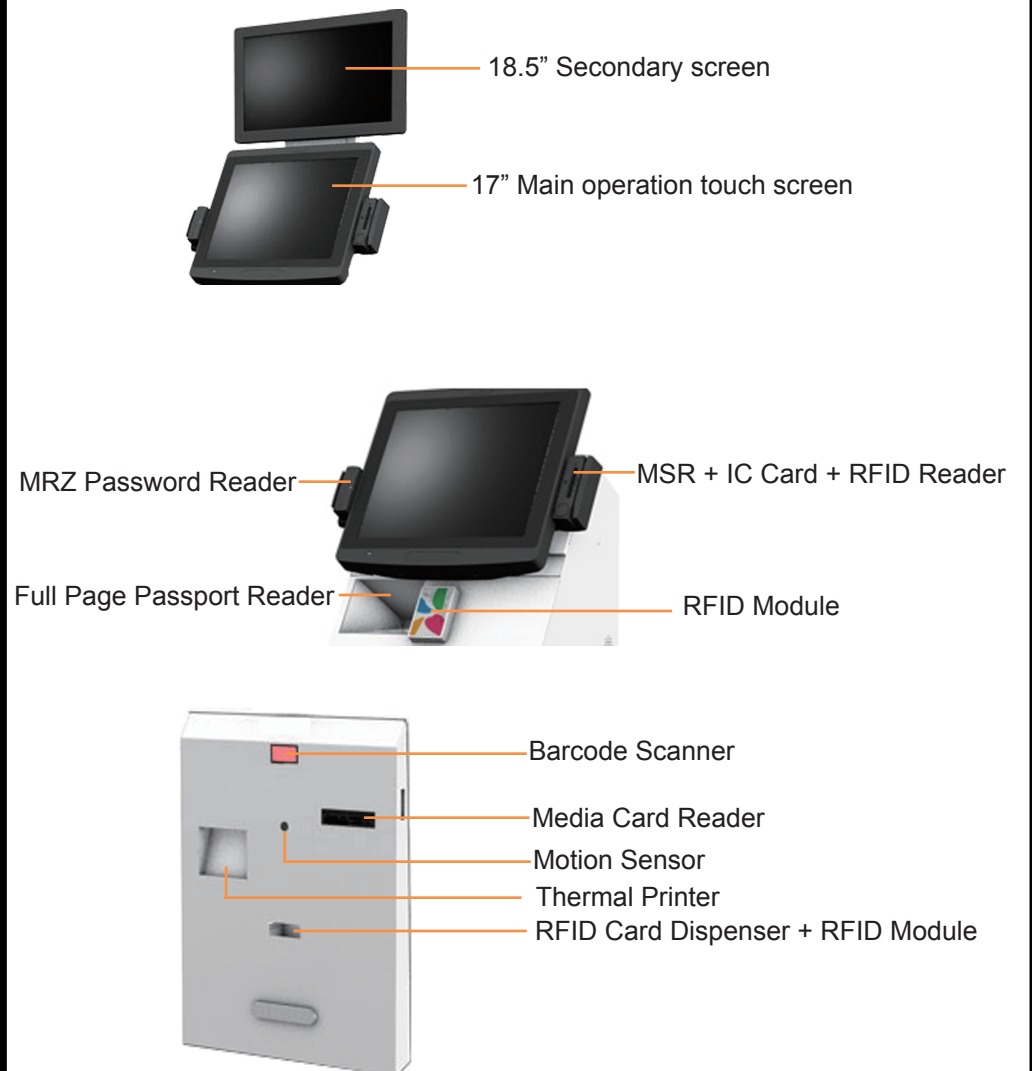
If you discover any item below are damaged or lost, please contact your vendor.

- KF-7130 Kiosk Main Unit X1
- This Quick Reference Guide X1
- AC Power Cord Cable X1
- Manual / Driver CD X1

Specifications

System	
CPU Type	Intel® Celeron J1900
Chipset	Intel platform Bay Trail SoC
Memory Support	1 x 240-pin DDR3L-1600 SODIMM socket on board, up to 4GB
HDD	500GB 2.5" SATA III HDD 5,400rpm,8MB cache
Speaker	2 x 5W HD speaker
IP54	Front End of PPC only
Dimension (WxHxD)	500 mm x 1775 mm x 540mm (with 2nd display)
System Weight	85 kg
Power	120 W 100-240V , 7.2A , 50-60HZ
Display	
LCD Panel	Main Display: 17" 4:3 LED backlight Second Display (optional): 18.5" 16:9 LED backlight
Max. Resolution	Main Display: 280x1024 dots SXGA Second Display (optional): 66x768 dots WXGA
Integrated Devices (optional)	
MSR + IC Card + RFID	SYSKING IMI301-Series
MRZ Passport Reader	3M CR-100 Document Reader
Full Page Passport Reader	3M KR-9000 Full Page Reader
RFID Reader	UIC 680TG RFID Reader
Barcode scanner	Riotec FS5022J Barcode Scanner
Media Card Reader	AFT PRO-37U Media Card Reader
Thermal Printer	Epson M-T532II AP / HP Thermal Printer BA-T500II Control Board NE-500II Paper near end Sensor
Card dispenser	EWT EWTK-2234C1
RFID Module	EWTJ-680A-I
Motion Sensor	Pro-Wave 400EP14D-NBPN Ultrasonic sensor
I/O Ports	
LAN Port	1 x RJ-45, 10/100/1000 Mbps
Phone Port	1x RJ-11
Environment	
Operating Temp.	5°C~ 35°C (41°F ~ 95°F)
Storage Temp.	0°C~ 60°C (32°F~ 140°F)
Humidity	20%~ 85%

System View



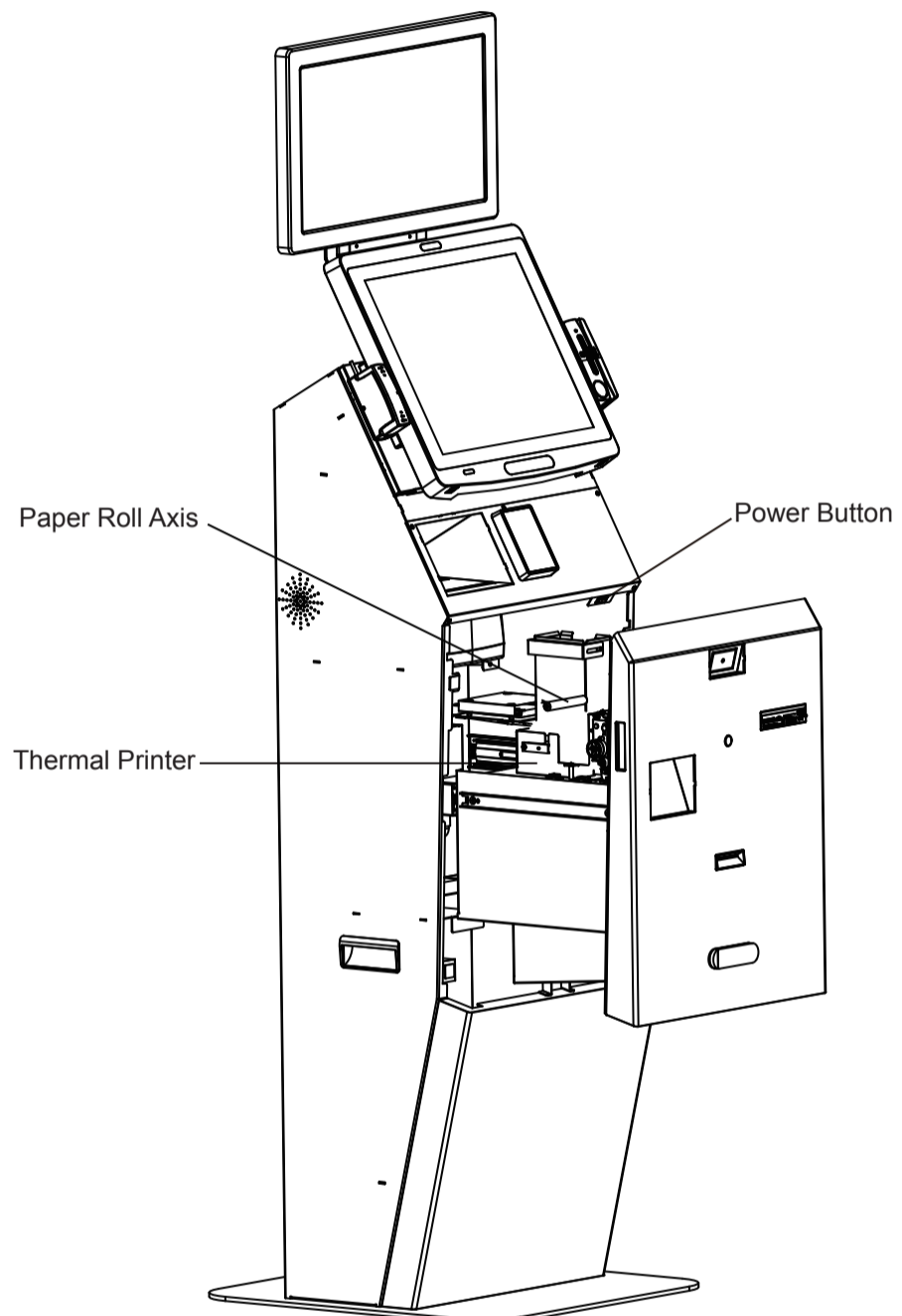
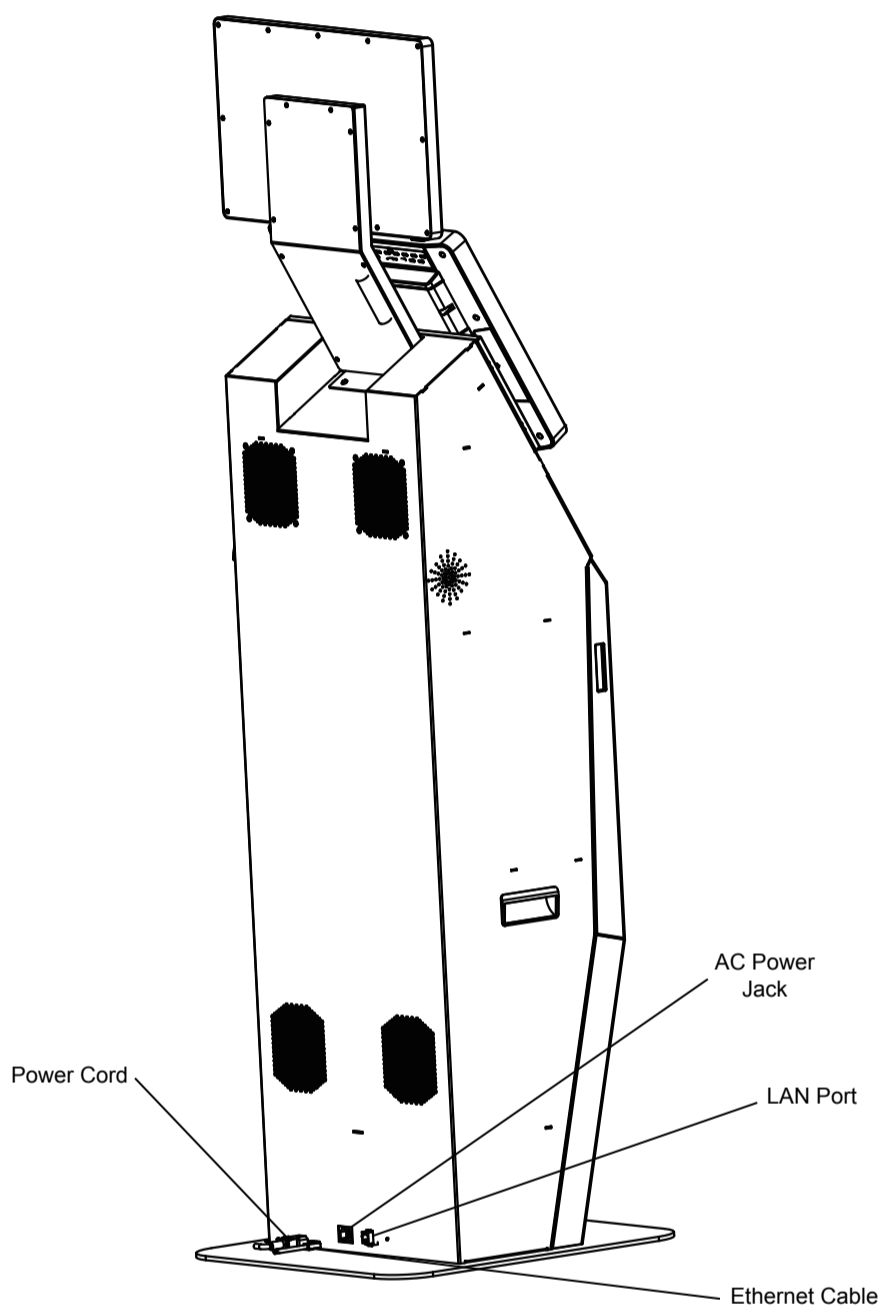
KF-7130

17" Projected Capacitive Touch Kiosk

Quick Setup

Step 1.
 Connect the AC power cord to the AC power jack and connect the Ethernet cable to the LAN port.

Step 2.
 Install the paper roll onto the paper roll axis, and then unlock and open the front door, and install the paper roll axis onto the paper holder.



Safety Precaution

The following messages are reminders for safety on how to protect your systems from damages and to extend a long life of the system.

1. Check the Cable Voltage

- Make sure the range of operating voltage between AC 100~240V. Otherwise, the system could be damaged.

2. Environmental Conditions

- Place your KF-7130 on a sturdy, level surface. Be sure to allow enough space to have easy access around the system.
- Avoid extremely hot or cold place to install the system.
- Avoid exposure to sunlight for a long period of time or in an airtight space.
- Avoid the system from any heating device or using it outdoors in a cold winter day.
- Bear in mind that the operating ambient temperature is from 0~35°C (32~95°F).
- Avoid moving the system rapidly from a hot place to a cold one and vice versa for condensation may come from inside of the system.
- Place KF-7130 in strong vibration(s) may cause hard disk failure.
- Don't place the system close to any radio active device in case of signal interference.

3. Handling

- If the system isn't fully in DOS mode, adjust BIOS setting as the instruction: Advanced Chipset Feature → Boot display → choose "LFP".
- Avoid putting heavy objects on top of the system.
- Don't turn the system upside down. This may cause the hard drive to malfunction.

- Don't allow foreign objects to fall into this product.
- If water or other liquid spills into this product, unplug the power cord immediately.

4. Good Care

- When the outside of the case is stained, remove the stain with a neutral washing agent with a dry cloth.
- Never use strong agents such as benzene and thinner to clean the system. If heavy stains are present, moisten a cloth with diluted neutral washing agent or with alcohol and then wipe thoroughly with a dry cloth.
- If dust has been accumulated on the outside, remove it by using a special made vacuum cleaner for computers.
- Don't contact the surface of capacitive touch before entering your operation system, or capacitive touch may have position problems for electrostatics interface.
- Don't exchange the M/B battery by yourself or serious damage may incur.

CAUTION! Danger of explosion if battery is incorrectly replaced. Replace only with the same or equivalent type recommended by the manufacturer. Dispose of used batteries according to the manufacturer's instructions.

WARNING! Some internal parts of the system may have high electrical voltage. And therefore we strongly recommend that qualified engineers can open and disassemble the system. The LCD and Touchscreen are easily breakable, please handle them with extra care.