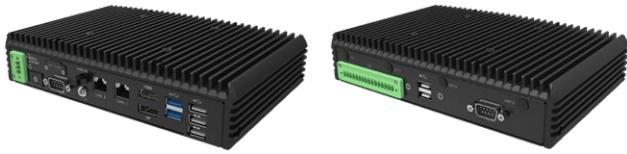




Fanless Embedded PC Intel® Celeron® / Atom® SoC Processor

Normal SKU



PoE SKU



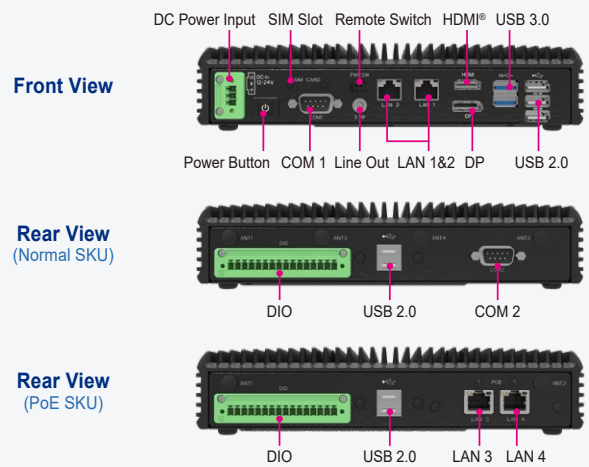
Features

- Intel® Celeron® J6412 / Atom® x6212RE, x6425RE processor on board
- Optional support for low temperature environments
- Powered by highly cost performance SoC
- Storage support both 2.5" & M.2 type
- 4K resolution DP & HDMI® support
- Digital I/O 6in / 6out support
- Support DC In 12V, 24V power input

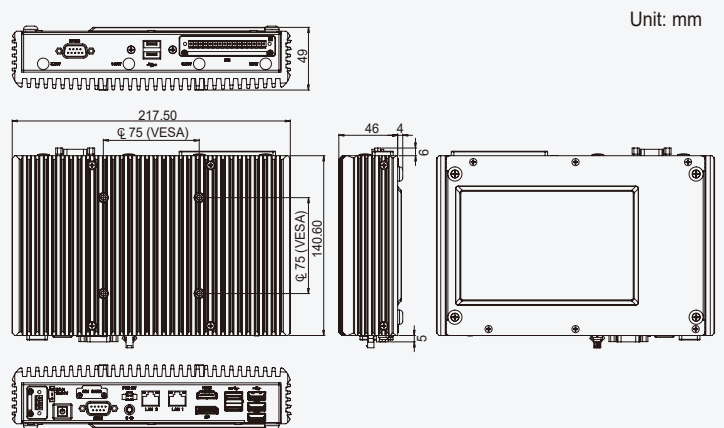
Specifications

System	
CPU Support	Intel® Celeron® J6412: 10w, 4C, 2.0GHz Intel® Atom® x6212RE: 6w, 2C, 1.2GHz Intel® Atom® x6425RE: 12w, 4C, 1.9GHz
Memory Support	1 x SO-DIMM socket, supporting 3200MHz DDR4 memory up to 32GB (non-ECC)
API/SW/FW	Watchdog / HW monitor
Storage Support	1 x 2.5" 7mm SATAIII HDD or SSD drive space 1 x NVMe PCIe x2 (support 2280 size only)
Power Input	DC In 12V / 24V
Power Adapter	72W or 120W adapter w/ lockable 3 pin terminal block
Operating System	Windows 10 64bit / Ubuntu 20.04 / Windows 11
Expansion Slots	1 x full-sized mPCIe slot (with PCIe and USB signal) 1 x M.2 slot E-Key for wireless module
System Weight	2 kg
Dimensions (W x H x D)	217.5 x 50 x 140.6 mm (with rubber foot)
Certifications	FCC / CE
I/O Ports (Front side)	
USB	2 x USB 3.0 3 x USB 2.0
Display	1 x DP, up to 4096 x 2304 @60Hz 1 x HDMI®, up to 4096 x 2160 @60Hz
LAN	2 x 2.5GbE LAN, supports Wake-On-LAN & PXE
Audio	1 x Line Out
Serial Port	COM 1: RS232/422/485m support 5V/12V selectable by jumper
SIM	1 x Micro-SIM slot
Power On/Off	1 x Power Button with Power LED 1 x 2 pin Remote Switch
Power Input	3 pin DC In terminal block (lockable)
I/O Ports (Rear side)	
PoE	2 x PoE LAN port, each 30W (PoE SKU only)
Serial Port	COM 2: RS232/422/485m support 5V/12V selectable by jumper (Normal SKU only)
USB	2 x USB 2.0
DIO	6 in / 6 out (including 5V x2 & GND x2)
Antenna Hole	Normal SKU: 4 x Antenna holes for reservation PoE SKU: 2 x Antenna holes for reservation
Environment	
Operating Temp. (Ambient with airflow)	SSD: -40°C~60°C (-40°F~140°F) for Atom SKU HDD: -40°C~40°C (-40°F~104°F) for Atom SKU SSD: 0°C~50°C (32°F~122°F) for other SKUs HDD: 0°C~40°C (32°F~104°F) for other SKUs
Storage Temp.	-40°C~85°C (-40°F~185°F)
Humidity	20%~90%

System Front View & Rear View



Dimensions



Application

- Automation
- Retail
- Information
- Transportation



* All information contained in this document is subject to change without prior notice. Please log on www.protech.com.tw to acquire latest information. For detail mechanics drawing, please contact our sales.