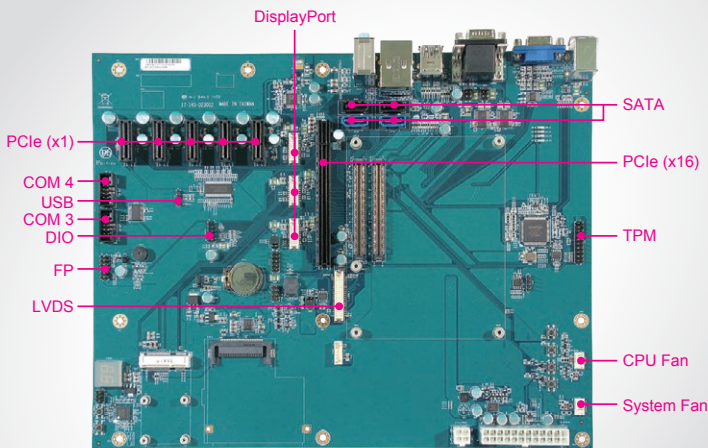


# BC-0230

› COM Express Type 6 ATX Carrier Board



## Features



- COM express type 6 pin out
- ATX form factor: 305 x 244 mm
- 1 x PCIe (x16), 5 x PCIe (x1), 1 x Mini PCIe, 1 x express card
- 1 x VGA, 3 x DP, 1 x LVDS output
- Debug 80 port tool
- Peripheral devices

## Specifications

### System

CPU Support	From CPU module
CPU Frequency	From CPU module
Chipset	From CPU module
Memory Support	From CPU module
BIOS	AMI BIOS
Power Supply	Supports ATX/AT model
Power Consumption	+5V, +12V
Dimensions	305 x 244 mm (12" x 9.6")
Certifications	FCC / CE

### Graphics

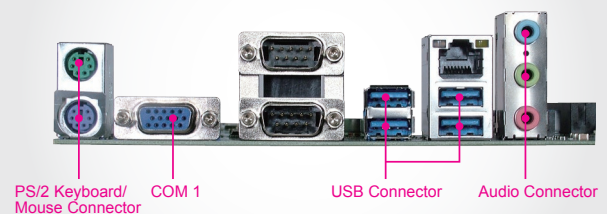
VGA	Built in CPU module 1 x VGA
LVDS	1 x LVDS
DisplayPort	3 x DP

\* The discrete graphics card is necessary for display if the integrated graphics support is not available in the CPU.

### Environment

Operating Temp.	0°C~60°C (32°F~140°F) (fanless solution)
Storage Temp.	-40°C~85°C (-40°F~185°F)
Humidity	Operation humidity 20%~90% storage humidity 20%~95%

## I/O Panel View



## I/O Ports

SATA Interface	2 x SATA III (6Gb/s) 2 x SATA II (3Gb/s)
Serial Ports	4 x COM COM 1/2 for RS-232 COM 3/4 supports TX/RX only
Expansion Bus	1 x PCIe (x16) 5 x PCIe (x1) 1 x express card 1 x Mini PCIe 1 x SMBus 1 x I <sup>2</sup> C 1 x LPC 1 x post LED: LED display for debug code
LAN	Single port Intel® i217LM (10/100/1000 Mbps)
Keyboard	1 x PS/2 connector
Mouse	1 x PS/2 connector
Audio	High definition audio; Realtek ALC888S
USB	4 x USB 3.0 2 x USB 2.0
GPIO	8 bit: 4 in / 4 out
Others	1 x CPU fan, 1 x system fan

\* All information contained in this document is subject to change without prior notice. Please log on [www.protech.com.tw](http://www.protech.com.tw) to acquire latest information. For detail mechanics drawing, please contact our sales.