

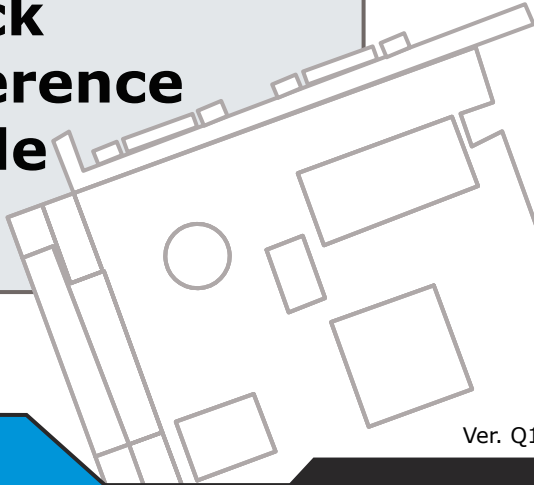
# Packing Checklist

If you discover any item below are damaged or lost, please contact your vendor immediately.

- BA-2602 x 1
- This Quick Reference Guide x 1
- Manual/Driver DVD x 1
- SATA Cable (500 mm) x 1
- PS/2 KB and MS Cable (250 mm) x 1
- I/O Shield x 1

# BA-2602

## Quick Reference Guide

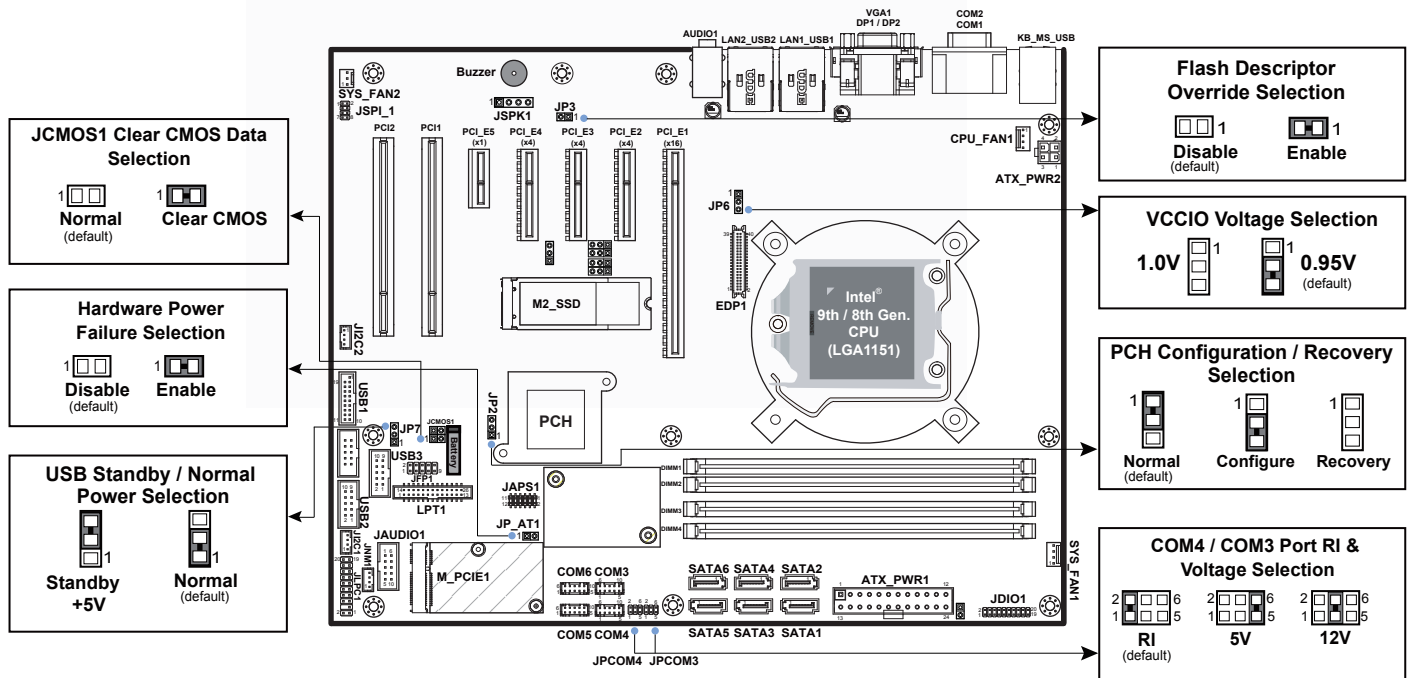


Ver. Q1

All Rights Reserved. Copyright 2020

# Jumper Setting

**CAUTION!** Danger of explosion may occur if the battery is replaced incorrectly. Replace batteries only with the same or equivalent type recommended by the manufacturer. Dispose the used batteries according to the manufacturer's instructions.

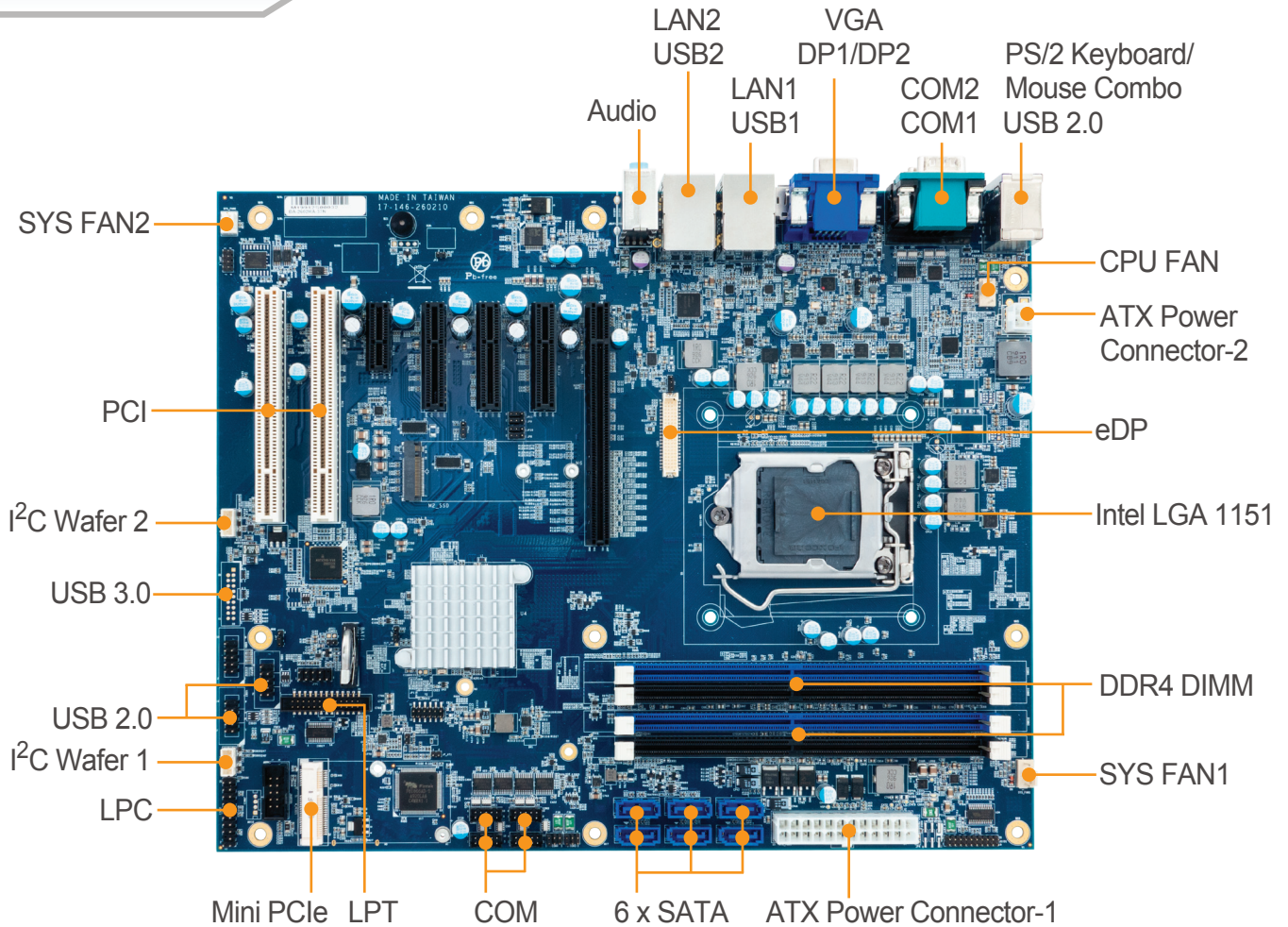


Note 1: COM5, COM6, EDP1, M\_PCIE1, PCI\_E2, PCI\_E3, PCI\_E5 are only supported on C246 / Q370 SKU.  
 Note 2: C246 / Q370 SKU supports USB 3.1 Gen2 on LAN1\_USB1. H310 SKU supports USB 3.1 Gen1 on LAN1\_USB1.  
 Note 3: C246 / Q370 SKU supports USB 3.1 Gen1 on LAN2\_USB2. H310 SKU supports USB 2.0 on LAN2\_USB2.  
 Note 4: C246 / Q370 SKU supports 6 SATA ports on SATA1~SATA6. H310 SKU supports 4 SATA ports on SATA1~SATA4.

# BA-2602

ATX Intel® 9th / 8th Gen. Core™ i7 / i5 / i3 / Pentium® / Celeron® / Xeon® E-2200 / 2100 CPU

## Front View



## I/O View

